

DinoBonz Balance Beams



Maybe the only thing cooler than dinosaur bones are dinosaur bones you can climb on. Kids will be drawn to these DinoBonz Balance Beams. Sold separately, they're available in three lengths: 4 feet, 6 feet, and 8 feet. Each is crafted from glass fiber reinforced concrete (GFRC), a material that's resistant to water, weather, disasters, and heavy kid traffic. These balance beams are super-fun kids indoor playground equipment or outdoor play structures.

The 4 Kids was born out of a desire to create high quality, one-of-a-kind park shelters and play environments that effectively appeal to children's natural curiosity and imagination.

All of our products are custom designed to work perfectly with your unique playground. Let us know how we can meet your specific needs by contacting our knowledgeable design specialists, today.

Contact Us

Ordering from The 4 Kids is easy, initial consultation & quote is free.
We can also provide you with design ideas and conceptual drawings.
We want your whole experience with The 4 Kids to be smooth & rewarding.

4400 Oneal St. Greenville, TX 75401

903.454.9237

info@the4kids.com

www.the4kids.com

Why Use Us?

Let our team of experienced engineers and artists make your playground the destination for fun! We can create an exciting space where children's imaginations can run wild. A playscape where parents can feel secure and create lasting memories with their whole family.

Key Features

- Designed to inspire kids' imaginations and curiosity about the natural world
- Crafted to the highest safety standards
- Offered in several finishes, including concrete, bronze, stone, or wood
- Ideal for museums, attractions, and playgrounds with a dinosaur or prehistoric theme
- Friendly customer service team ready with a free consultation and quote

Specifications

Age Range:

6 - 23Months
2 - 5 years
5 - 12 years
13+ years

Dimensions:

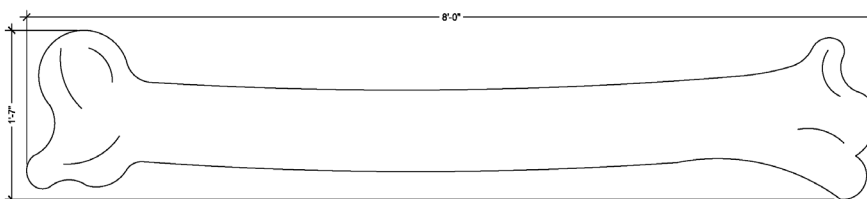
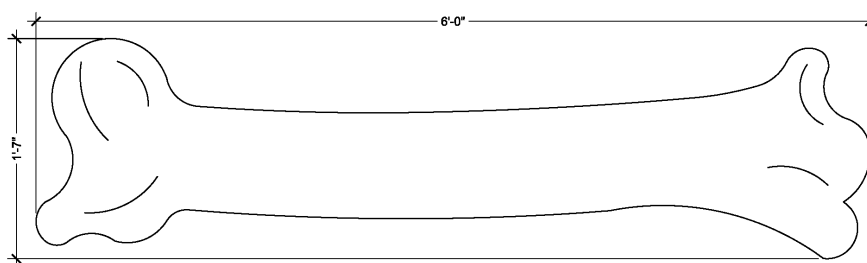
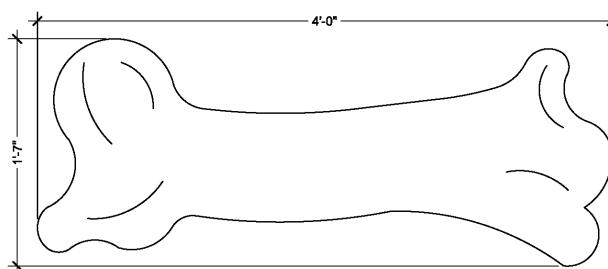
48" x 18" x 18"
72" x 18" x 18"
96" x 18" x 18"

Play Area:

16' X 13.5'
18' X 13.5'
20' X 13.5'

Mounting Options:

See Typical
Installation Details



Contact Us

Ordering from The 4 Kids is easy, initial consultation & quote is free. We can also provide you with design ideas and conceptual drawings. We want your whole experience with The 4 Kids to be smooth & rewarding.

4400 Oneal St. Greenville, TX 75401

903.454.9237

info@the4kids.com

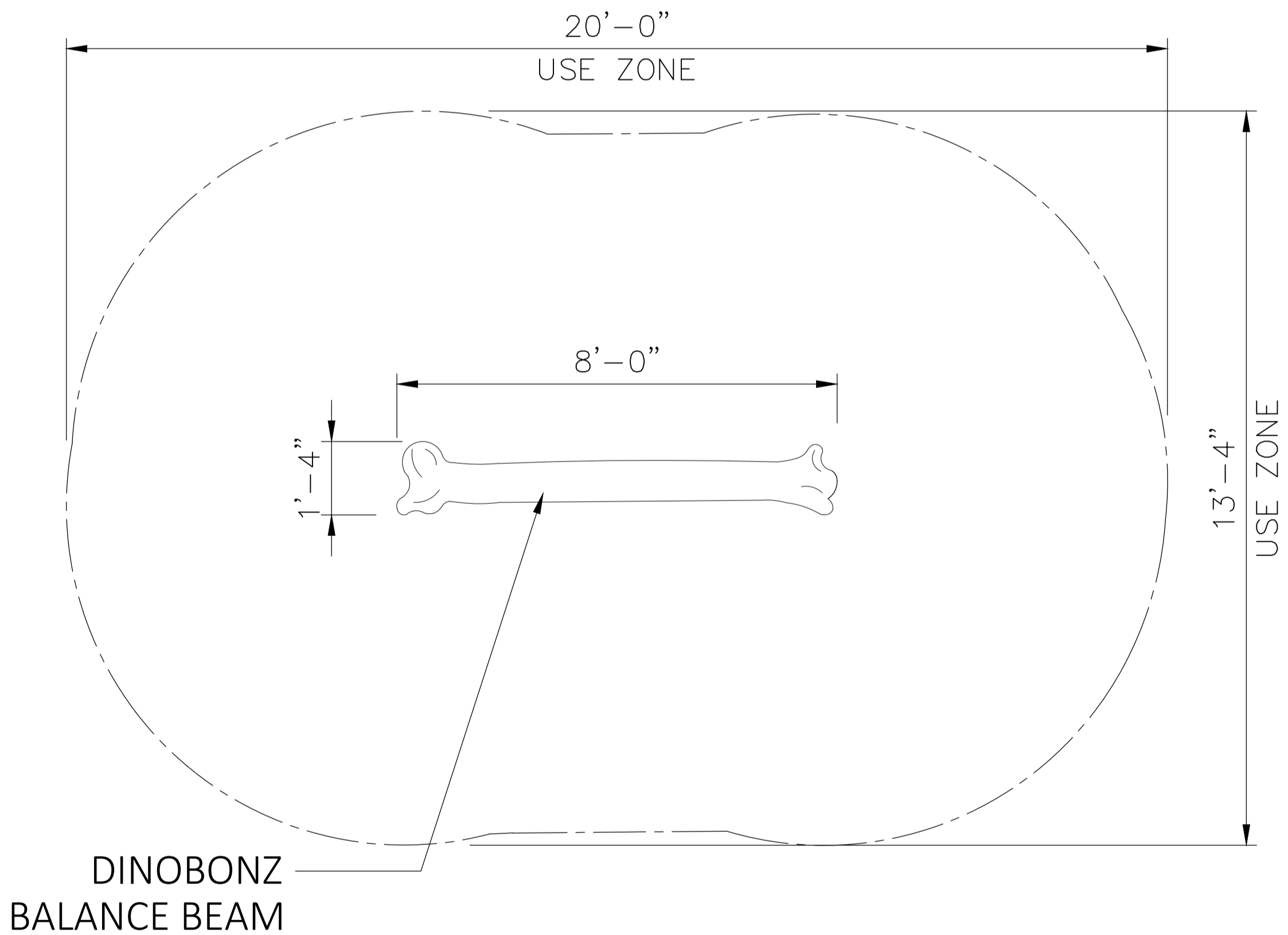
www.the4kids.com

© 2014 The 4 Kids Inc. All rights reserved.





8FT DINO BONZ BALANCE BEAM
 8'L x 1' 4"W x 1' 4"H

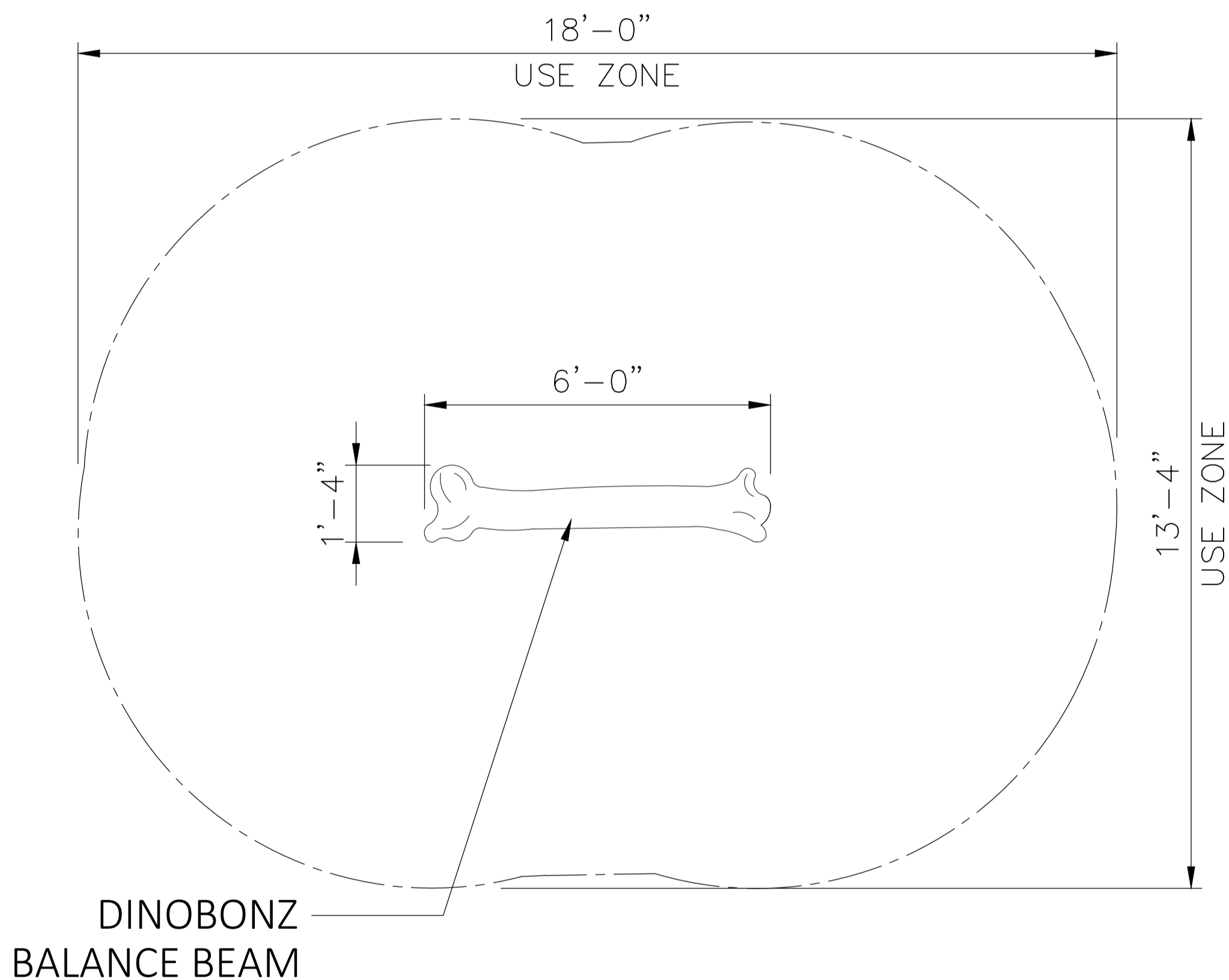


TOP VIEW

SCALE: 1/2" = 1'



6FT DINOBOONZ BALANCE BEAM
6'L x 1' 4"W x 1' 4"H

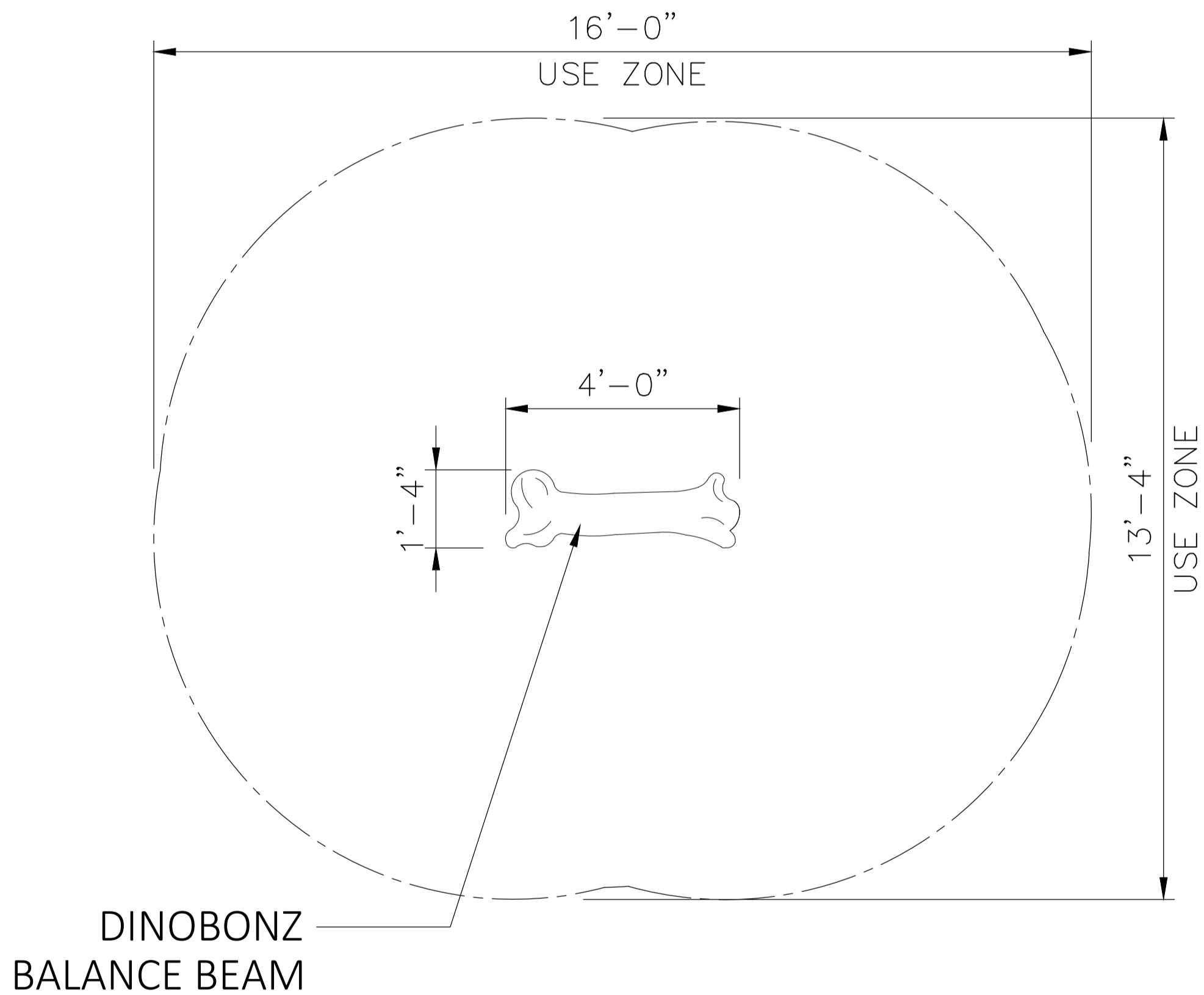


TOP VIEW

SCALE: 1/2" = 1'



4FT DINO BONZ BALANCE BEAM
4'L x 1' 4"W x 1' 4"H



TOP VIEW

SCALE: 1/2" = 1'