

Duck Swing w/ Polymer Stained Glass Shade



Imagine how much fun a kid can have playing in a duck pond. With The 4 Kids Duck Swing, children of all ages can swing on a favorite work of playground art while creating a world of make believe beneath the shimmering surface of a magical duck pond. Above the swing set, The 4 Kids artists have crafted a canopy of high quality, polymer stained glass in beautiful shades to catch and reflect the rays of the sun to the play area below, while perfect replicas of duck families swim atop, creating a visually mesmerizing virtual pond. Besides protecting little ones from heat and the elements, the polymer stained glass canopy adds a new level of appeal at theme parks, indoor or outdoor playgrounds, children's museums and fun centers, even state recreation areas. Using the most stringent safety standards, the expert team of playground designers at The 4 Kids ensures a resilient, glass fiber reinforced polymer surface that resists damage in all weather with virtually no maintenance. Over 17 feet long and nearly 7 feet high, the swing set can be customized to meet every client's specific needs.

The 4 Kids was born out of a desire to create high quality, one-of-a-kind park shelters and play environments that effectively appeal to children's natural curiosity and imagination.

All of our products are custom designed to work perfectly with your unique playground. Let us know how we can meet your specific needs by contacting our knowledgeable design specialists, today.

Contact Us

Ordering from The 4 Kids is easy, initial consultation & quote is free.
We can also provide you with design ideas and conceptual drawings.
We want your whole experience with The 4 Kids to be smooth & rewarding.

4400 Oneal St. Greenville, TX 75401

903.454.9237

info@the4kids.com

www.the4kids.com

Why Use Us?

Let our team of experienced engineers and artists make your playground the destination for fun! We can create an exciting space where children's imaginations can run wild. A playscape where parents can feel secure and create lasting memories with their whole family.

Key Features

- Custom playground designs
- Expert team of professionals
- Made in Greenville, Texas
- Highest quality, low maintenance
- Hours of fun for kids of all ages

Specifications

Age Range:

N/A

Dimensions:

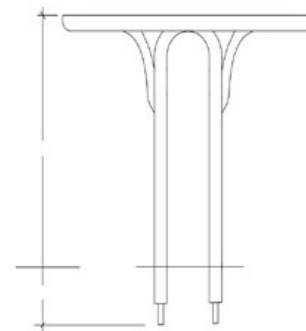
17'4"L x 3'4"W x
6'7"H

Use Zone:

N/A

Mounting Options:

See Typical
Installation Details



Contact Us

Ordering from The 4 Kids is easy, initial consultation & quote is free. We can also provide you with design ideas and conceptual drawings. We want your whole experience with The 4 Kids to be smooth & rewarding.

4400 Oneal St. Greenville, TX 75401

903.454.9237

info@the4kids.com

www.the4kids.com

© 2014 The 4 Kids Inc. All rights reserved.