



Eastholme Illuminated Bollard



Your project needs a bollard that adds style to your streetscape or landscape -- consider the Eastholme Illuminated Bollard. Our designers crafted this unique piece to provide street level lighting as well as superior strength. It's constructed from glass fiber reinforced material engineered to deliver weather and impact resistance. The material is also versatile, allowing us to offer a nearly endless choice of color and finish options. If you're looking for a similar design idea in security posts, check out the Ardoran Illuminated Bollard too.

The 4 Kids was born out of a desire to create high quality, one-of-a-kind park shelters and play environments that effectively appeal to children's natural curiosity and imagination.

All of our products are custom designed to work perfectly with your unique playground. Let us know how we can meet your specific needs by contacting our knowledgeable design specialists, today.

Contact Us

Ordering from The 4 Kids is easy, initial consultation & quote is free.
We can also provide you with design ideas and conceptual drawings.
We want your whole experience with The 4 Kids to be smooth & rewarding.

4400 Oneal St. Greenville, TX 75401

903.454.9237

info@the4kids.com

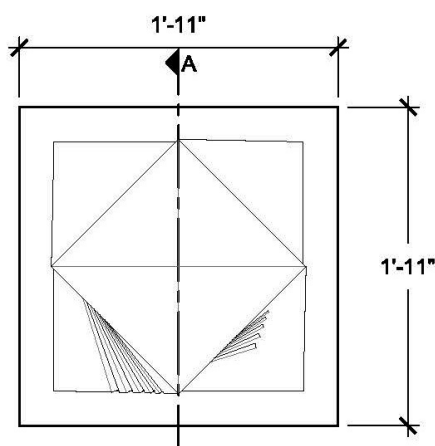
www.the4kids.com

Why Use Us?

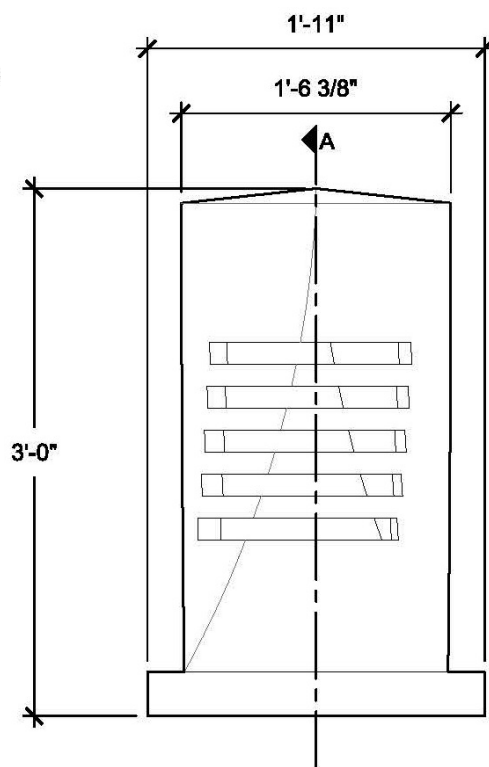
Let our team of experienced engineers and artists make your playground the destination for fun! We can create an exciting space where children's imaginations can run wild. A playscape where parents can feel secure and create lasting memories with their whole family.

Key Features

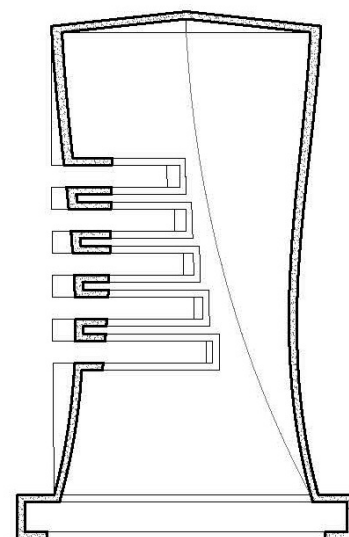
- Fully customizable size
- Can be illuminated with the lighting source of your choice
- Fast turnaround time on most projects
- Expert team ready to answer questions, from design to lighting to install
- No-cost, no-obligation consultation and quote



TOP VIEW



FRONT VIEW



SECTION A

Specifications

Age Range:
N/A

Dimensions:
23"L x 23"W x 36"H

Use Zone:
N/A

Mounting Options:
See Typical
Installation Details

SIZE CHART

NAME	HEIGHT	WIDTH
SBOP 009.1	2'-0"	1'-3"
SBOP 009.2	2'-6"	1'-7"
SBOP 009.3	3'-0"	1'-11"
SBOP 009.4	3'-6"	2'-3"
SBOP 009.5	4'-0"	2'-7"

Contact Us

Ordering from The 4 Kids is easy, initial consultation & quote is free. We can also provide you with design ideas and conceptual drawings. We want your whole experience with The 4 Kids to be smooth & rewarding.

4400 Oneal St. Greenville, TX 75401

903.454.9237

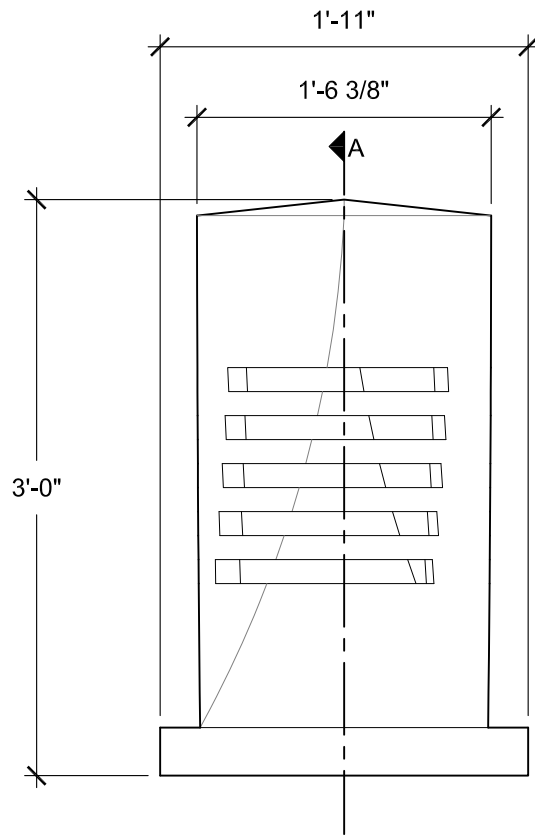
info@the4kids.com

www.the4kids.com

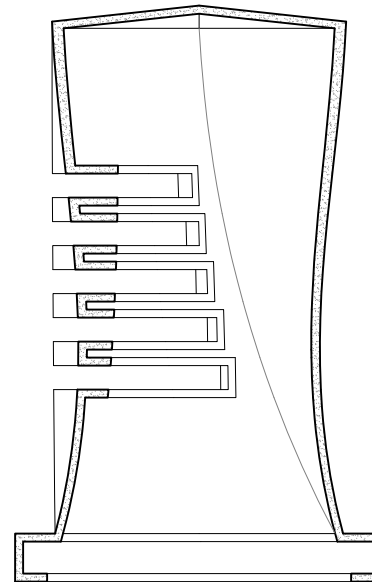
© 2014 The 4 Kids Inc. All rights reserved.

SIZE CHART

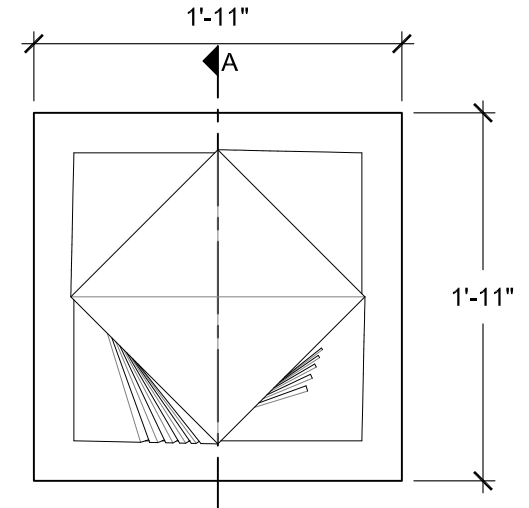
NAME	HEIGHT	WIDTH
SBOP 009.1	2'-0"	1'-3"
SBOP 009.2	2'-6"	1'-7"
SBOP 009.3	3'-0"	1'-11"
SBOP 009.4	3'-6"	2'-3"
SBOP 009.5	4'-0"	2'-7"



FRONT VIEW
SCALE: 1"= 1'-0"



SECTION A
SCALE: 1"= 1'-0"



TOP VIEW
SCALE: 1"= 1'-0"

ALL RIGHTS RESERVED. THIS DRAWING IS PROPERTY OF THE 4 KIDS INC. AND MAY BE USED ONLY WHEN UTILIZING THE 4 KIDS PRODUCTS. THE 4 KIDS INC. GENERAL TERMS AND CONDITIONS APPLY AND ARE INCORPORATE HERE IN BY REFERENCE. THIS DETAIL MAY NOT APPLY TO ALL CONDITIONS AND CONSTRUCTION SITUATIONS.



CUSTOM THEMED PLAYGROUNDS

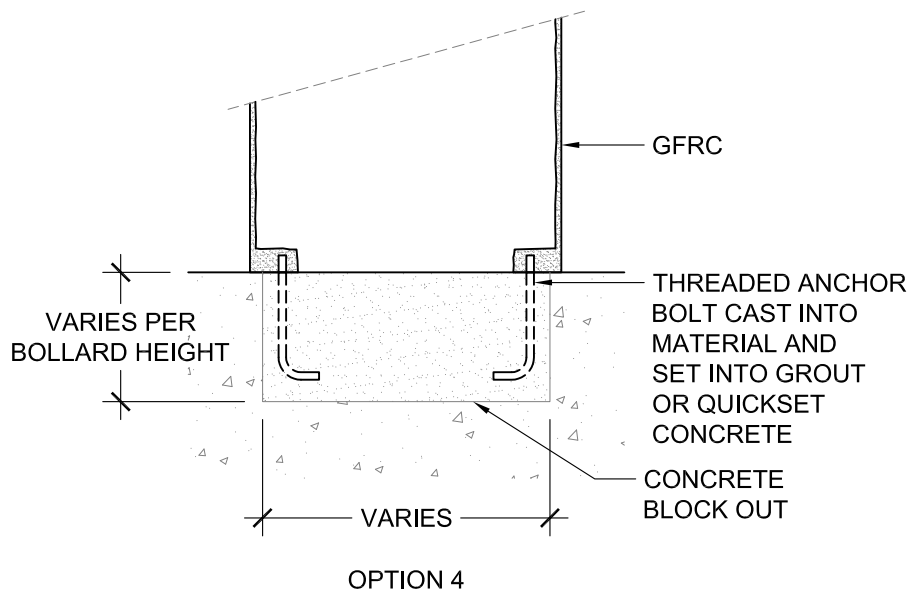
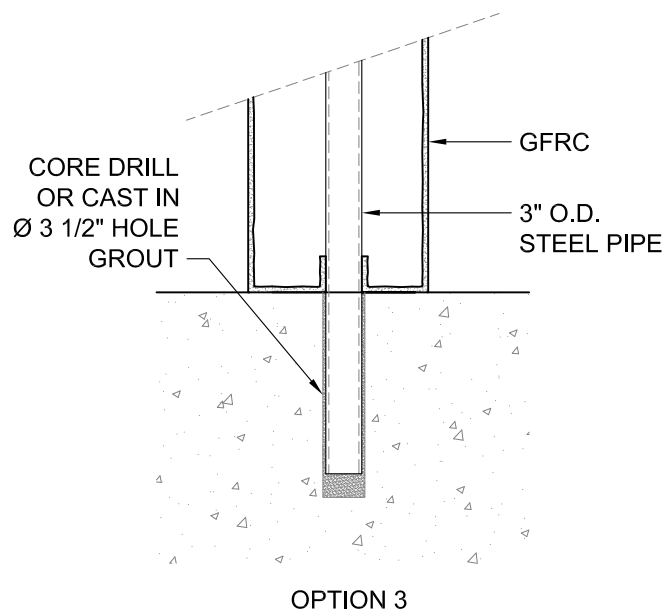
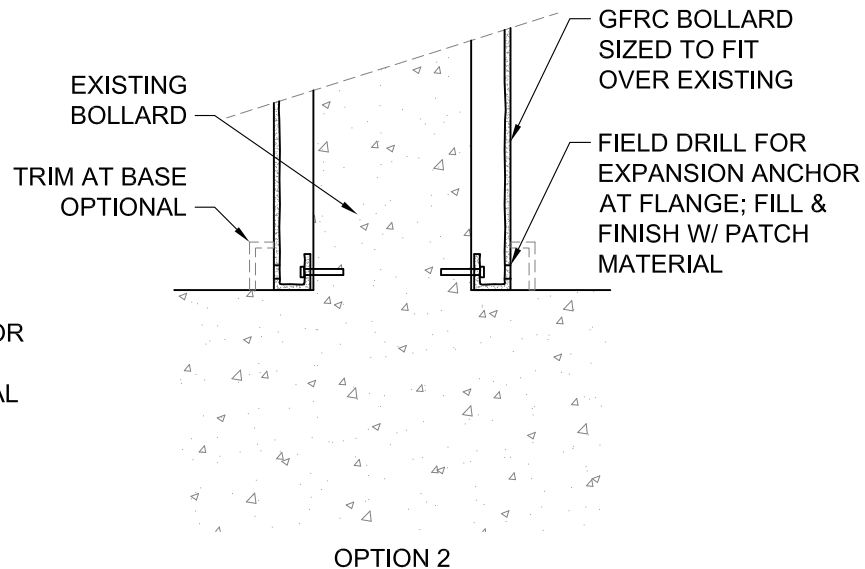
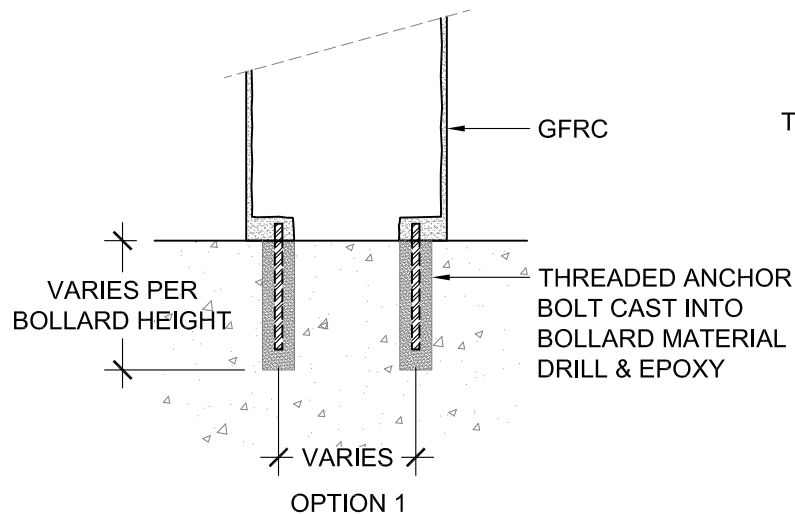
4400 ONEAL STREET, GREENVILLE, TX 75401 PHONE 903.454.9237 FAX 903.454.3642

TITLE: EASTHOLME BOLLARD

TYPE DWG: BOLLARD

SCALE: AS NOTED

DWG. SHEET: **SBOP-009**



ALL RIGHTS RESERVED. THIS DRAWING IS PROPERTY OF THE 4 KIDS INC. AND MAY BE USED ONLY WHEN UTILIZING THE 4 KIDS PRODUCTS. THE 4 KIDS INC. GENERAL TERMS AND CONDITIONS APPLY AND ARE INCORPORATE HERE IN BY REFERENCE. THIS DETAIL MAY NOT APPLY TO ALL CONDITIONS AND CONSTRUCTION SITUATIONS.



CUSTOM THEMED PLAYGROUNDS

4400 ONEAL STREET, GREENVILLE, TX 75401 PHONE 903.454.9237 FAX 903.454.3642

TITLE: BOLLARD

TYPE DWG: MOUNTING

SCALE: AS NOTED

DWG. SHEET: **SBSP-M1**