



Fish Barrel Trash Can



This one-of-a-kind Fish Barrel Trash Can is the ultimate Park Amenity! Those big eyes and open lips are just begging to be fed with trash! It is constructed from sturdy GFRC which is weather and fire resistant. It requires no special maintenance or cleaning and is designed to stay as good looking as the day it was made. We can even supply an anti-graffiti coating if necessary. Keep your area clean with this stylish Fish from The 4 Kids.

The 4 Kids was born out of a desire to create high quality, one-of-a-kind park shelters and play environments that effectively appeal to children's natural curiosity and imagination.

All of our products are custom designed to work perfectly with your unique playground. Let us know how we can meet your specific needs by contacting our knowledgeable design specialists, today.

Contact Us

Ordering from The 4 Kids is easy, initial consultation & quote is free.
We can also provide you with design ideas and conceptual drawings.
We want your whole experience with The 4 Kids to be smooth & rewarding.

4400 Oneal St. Greenville, TX 75401

903.454.9237

info@the4kids.com

www.the4kids.com

Why Use Us?

Let our team of experienced engineers and artists make your playground the destination for fun! We can create an exciting space where children's imaginations can run wild. A playscape where parents can feel secure and create lasting memories with their whole family.

Key Features

- A trendy blend of art and functionality
- Complements a deep sea, aquatic life or pirate theme
- Designed to combine safety and quality
- Contact The 4 Kids for a free quote and consultation

Specifications

Age Range:
N/A

Dimensions:
25.25" x 25.25" x 41.5"

Play Area:
14' X 14'

Mounting Options:
See Typical
Installation Details



Contact Us

Ordering from The 4 Kids is easy, initial consultation & quote is free. We can also provide you with design ideas and conceptual drawings. We want your whole experience with The 4 Kids to be smooth & rewarding.

4400 Oneal St. Greenville, TX 75401

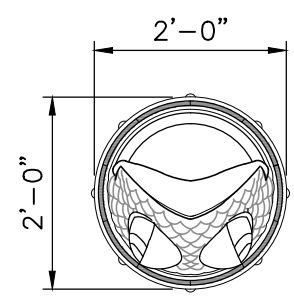
903.454.9237

info@the4kids.com

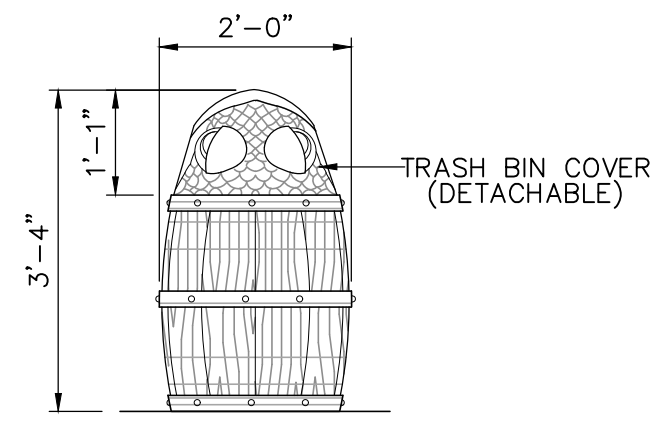
www.the4kids.com

© 2014 The 4 Kids Inc. All rights reserved.

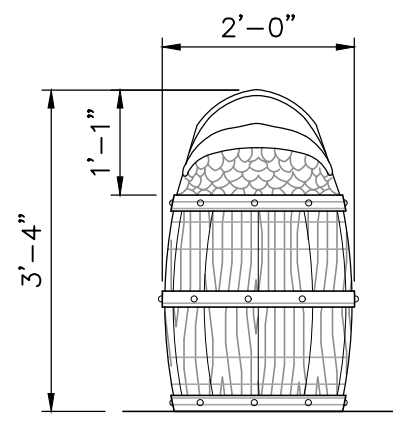
- * SUBJECT TO THE4KIDS ARTISTIC INTERPRETATION
- * CONCRETE FOUNDATION SHOWN FOR CONCEPT ONLY. FOR ACTUAL CONCRETE FOUNDATION SIZE AND REINFORCEMENT, CONSULT A LOCAL ENGINEER AND DESIGN PER LOCAL CODE AND SOIL CONDITION



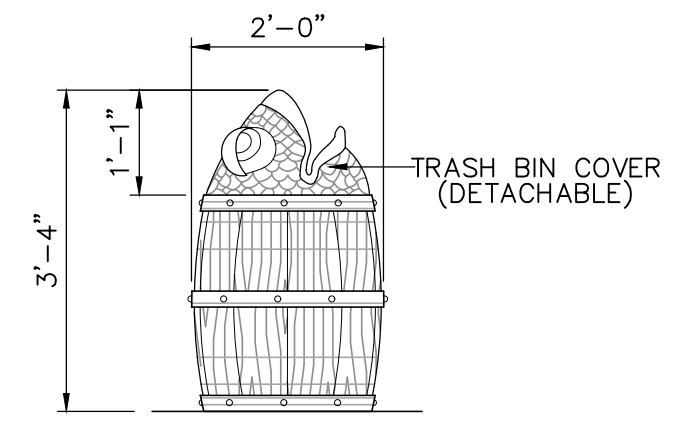
TOP VIEW
SCALE: 1/2" = 1'



FRONT VIEW
SCALE: 1/2" = 1'



REAR VIEW
SCALE: 1/2" = 1'



SIDE VIEW
SCALE: 1/2" = 1'

ALL RIGHTS RESERVED. THIS DRAWING IS PROPERTY OF THE 4 KIDS INC. AND MAY BE USED ONLY WHEN UTILIZING THE 4 KIDS INC. GENERAL TERMS AND CONDITIONS APPLY. THIS DETAIL MAY NOT APPLY TO ALL CONDITIONS.

ITEM ID: SEA134		MATERIAL: GFRC
MOLD	APX. TTL. WEIGHT	TOTAL # OF ITEM:
	- LBS.[- KG]	TOTAL SQ. FEET: - [- sqm.]

PROJECT: TITLE: FISH BARREL TRASH CAN REFERENCES:

 CUSTOM THEMED PLAYGROUNDS 4400 ONEAL STREET, GREENVILLE, TX 75401 PHONE 903.454.9237 FAX 903.454.3642	TYPE DWG: FABRICATION		DRAWN BY: AS	DATE:
	SCALE: AS NOTED	SHEET:	DWG. SHEET:	