



Gallia Bollard Planter



Create a people pleasing landscape or streetscape with the Gallia Bollard Planter. This simple design will showcase any plants, flowers, or other greenery you choose to use. But this isn't any ol' home improvement store pot. It's also a durable bollard that will help safeguard people and property. Our team uses materials like glass fiber reinforced concrete (GFRC), which is engineered to resist impact. The Gallia is ideal for lining plazas, protecting entrances, and defining car-free areas. Choose from many colors and several finishes, including stone (pictured), or concrete.

The 4 Kids was born out of a desire to create high quality, one-of-a-kind park shelters and play environments that effectively appeal to children's natural curiosity and imagination.

All of our products are custom designed to work perfectly with your unique playground. Let us know how we can meet your specific needs by contacting our knowledgeable design specialists, today.

Contact Us

Ordering from The 4 Kids is easy, initial consultation & quote is free.
We can also provide you with design ideas and conceptual drawings.
We want your whole experience with The 4 Kids to be smooth & rewarding.

4400 Oneal St. Greenville, TX 75401

903.454.9237

info@the4kids.com

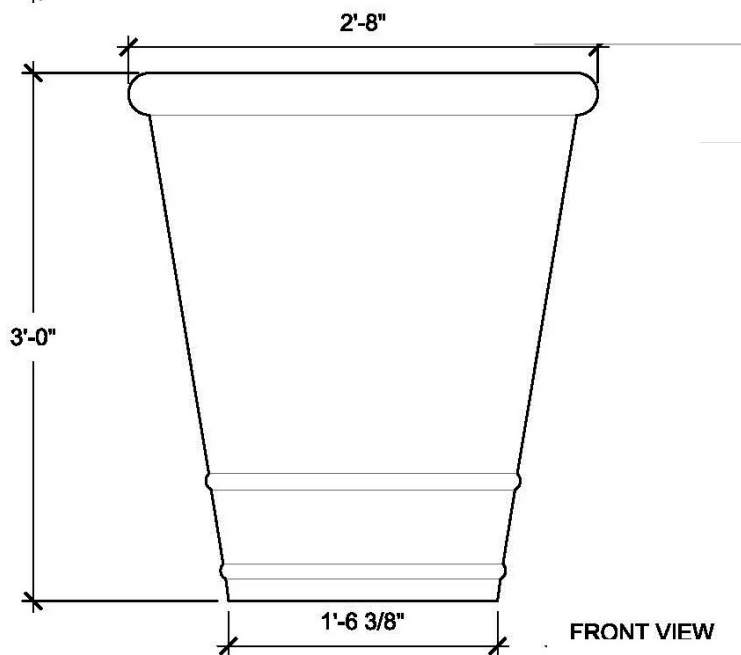
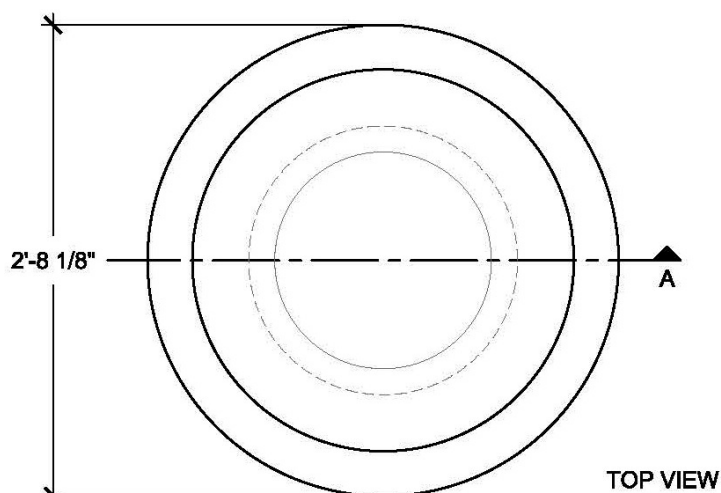
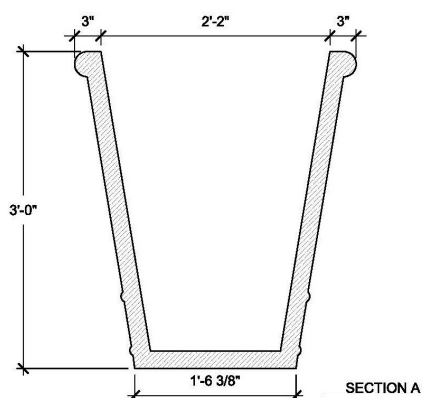
www.the4kids.com

Why Use Us?

Let our team of experienced engineers and artists make your playground the destination for fun! We can create an exciting space where children's imaginations can run wild. A playscape where parents can feel secure and create lasting memories with their whole family.

Key Features

- Resistant to water and corrosion
- Fully customizable size
- Many additional planter styles offered, from simple to ornate
- Courteous customer service team ready to answer questions
- No-cost, no-obligation quote



Specifications

Age Range:
N/A

Dimensions:
2'8"D x 3'H

Use Zone:
N/A

Mounting Options:
See Typical
Installation Details

SIZE CHART

NAME	HEIGHT	WIDTH
SBOP 102.1	2'-0"	1'-10"
SBOP 102.2	2'-6"	2'-3"
SBOP 102.3	3'-0"	2'-8"
SBOP 102.4	3'-6"	3'-2"
SBOP 102.5	4'-0"	3'-7"

Contact Us

Ordering from The 4 Kids is easy, initial consultation & quote is free. We can also provide you with design ideas and conceptual drawings. We want your whole experience with The 4 Kids to be smooth & rewarding.

4400 Oneal St. Greenville, TX 75401

903.454.9237

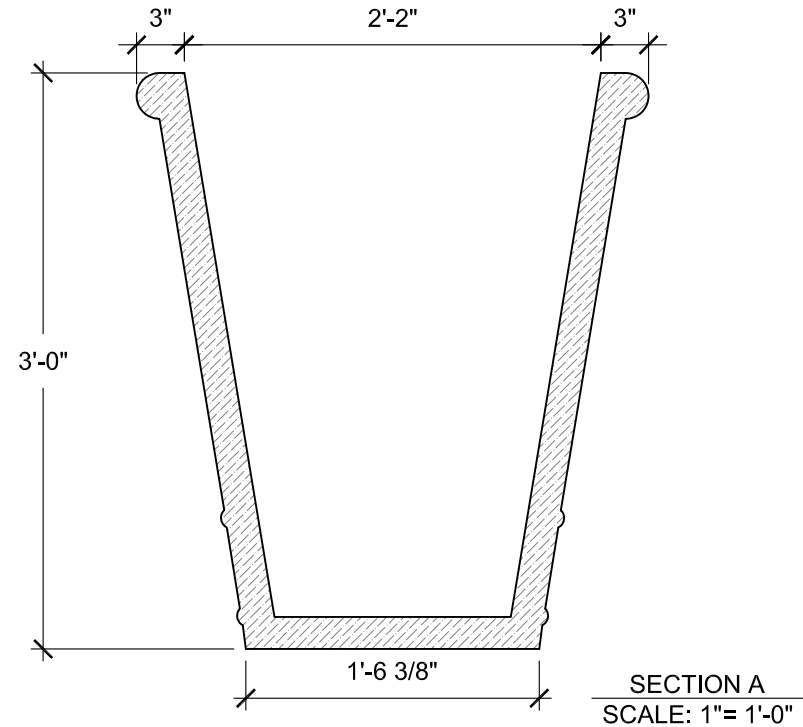
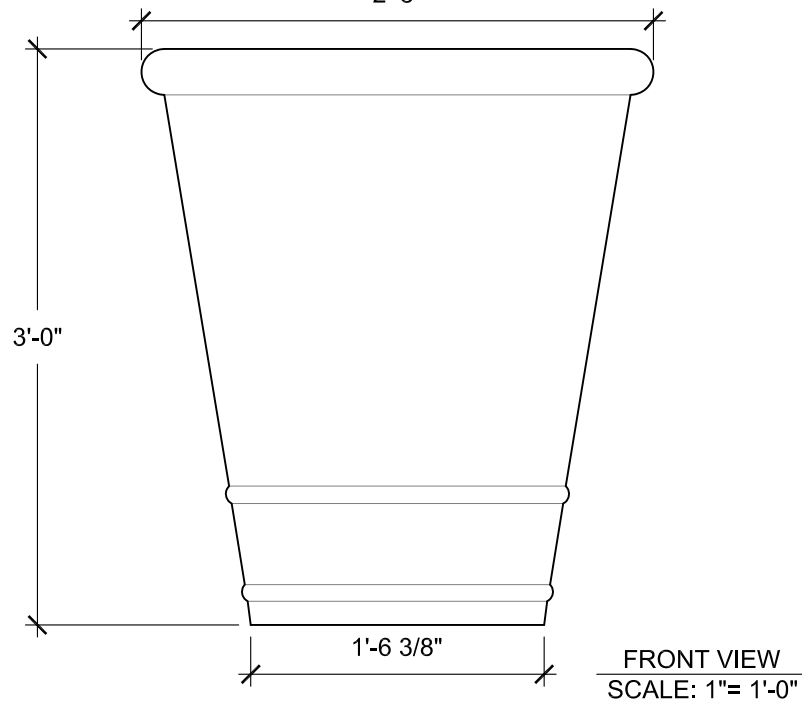
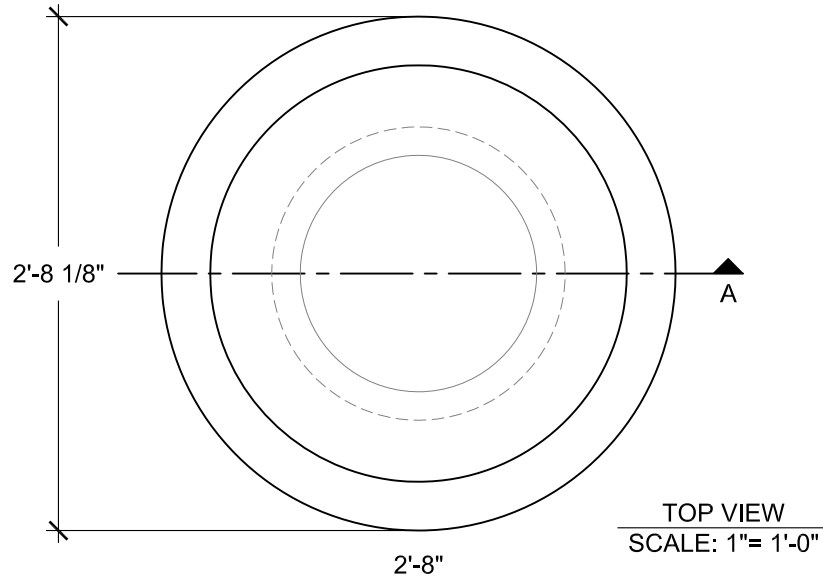
info@the4kids.com

www.the4kids.com

© 2014 The 4 Kids Inc. All rights reserved.

SIZE CHART

NAME	HEIGHT	WIDTH
SBOP 102.1	2'-0"	1'-10"
SBOP 102.2	2'-6"	2'-3"
SBOP 102.3	3'-0"	2'-8"
SBOP 102.4	3'-6"	3'-2"
SBOP 102.5	4'-0"	3'-7"



ALL RIGHTS RESERVED. THIS DRAWING IS PROPERTY OF THE 4 KIDS INC. AND MAY BE USED ONLY WHEN UTILIZING THE 4 KIDS PRODUCTS. THE 4 KIDS INC. GENERAL TERMS AND CONDITIONS APPLY AND ARE INCORPORATE HERE IN BY REFERENCE. THIS DETAIL MAY NOT APPLY TO ALL CONDITIONS AND CONSTRUCTION SITUATIONS.



CUSTOM THEMED PLAYGROUNDS

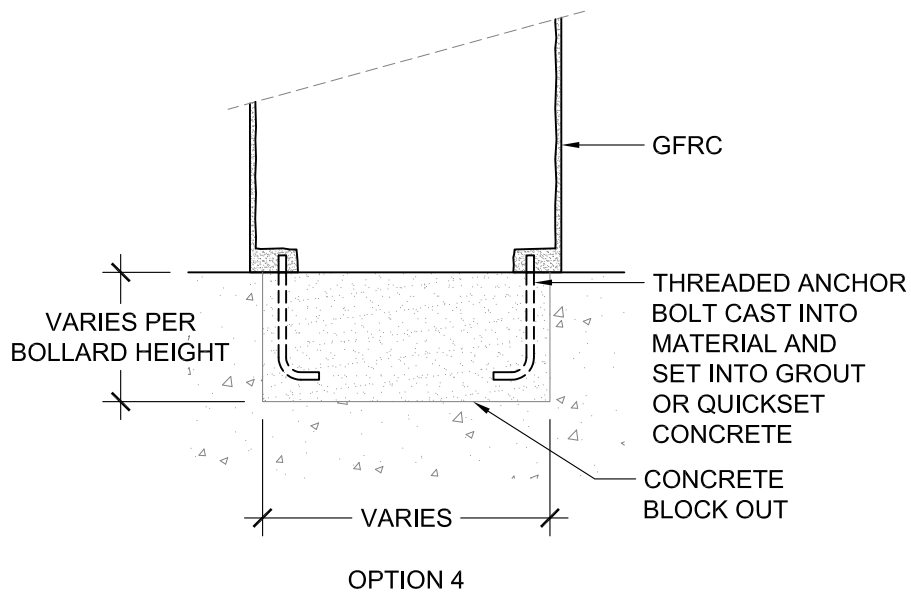
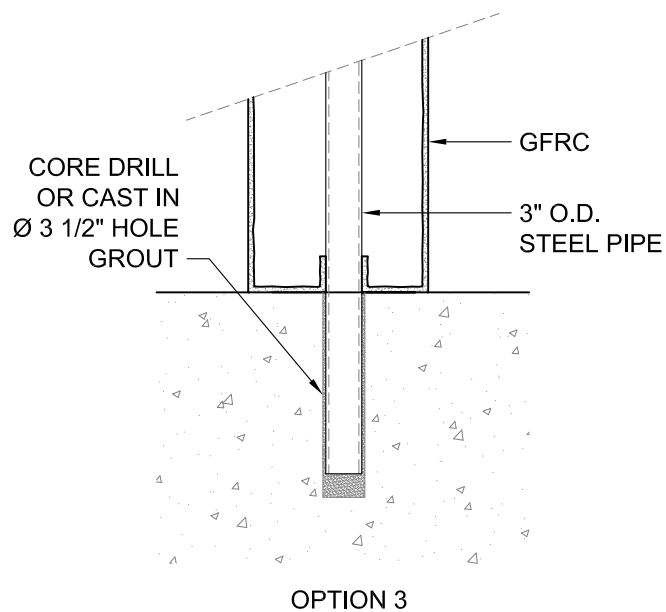
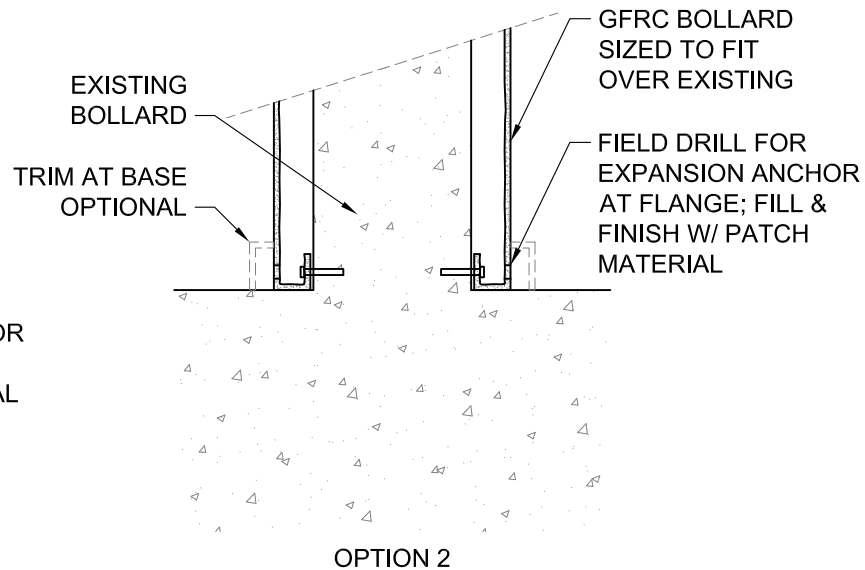
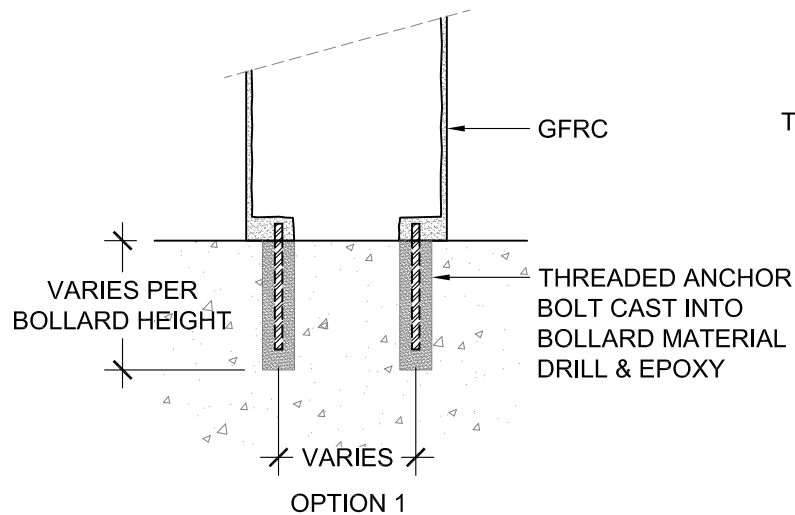
4400 ONEAL STREET, GREENVILLE, TX 75401 PHONE 903.454.9237 FAX 903.454.3642

TITLE: GALLIA BOLLARD PLANTER

TYPE DWG: SECURITY BOLLARD

SCALE: AS NOTED

DWG. SHEET: **SBOP-102**



ALL RIGHTS RESERVED. THIS DRAWING IS PROPERTY OF THE 4 KIDS INC. AND MAY BE USED ONLY WHEN UTILIZING THE 4 KIDS PRODUCTS. THE 4 KIDS INC. GENERAL TERMS AND CONDITIONS APPLY AND ARE INCORPORATE HERE IN BY REFERENCE. THIS DETAIL MAY NOT APPLY TO ALL CONDITIONS AND CONSTRUCTION SITUATIONS.



CUSTOM THEMED PLAYGROUNDS

4400 ONEAL STREET, GREENVILLE, TX 75401 PHONE 903.454.9237 FAX 903.454.3642

TITLE: BOLLARD

TYPE DWG: MOUNTING

SCALE: AS NOTED

DWG. SHEET: **SBSP-M1**