



# Geauga Bollard

---

---



The contemporary style and unmatched durability of the Geauga Bollard is a wise investment for property owners. Whether you're protecting pedestrians or diverting vehicle traffic, this ornamental bollard delivers the strength needed to help safeguard any site. Our designers use glass fiber reinforced concrete (GFRC) to build a sturdy structure that withstands weather and impact. Since GFRC doesn't require steel reinforcement, the bollard is resistant to corrosion as well. The size will be customized to ensure a perfect fit for your project, and we can produce this in nearly any color.

The 4 Kids was born out of a desire to create high quality, one-of-a-kind park shelters and play environments that effectively appeal to children's natural curiosity and imagination.

All of our products are custom designed to work perfectly with your unique playground. Let us know how we can meet your specific needs by contacting our knowledgeable design specialists, today.

## Contact Us

Ordering from The 4 Kids is easy, initial consultation & quote is free.  
We can also provide you with design ideas and conceptual drawings.  
We want your whole experience with The 4 Kids to be smooth & rewarding.

4400 Oneal St. Greenville, TX 75401

903.454.9237

[info@the4kids.com](mailto:info@the4kids.com)

[www.the4kids.com](http://www.the4kids.com)

## Why Use Us?

Let our team of experienced engineers and artists make your playground the destination for fun! We can create an exciting space where children's imaginations can run wild. A playscape where parents can feel secure and create lasting memories with their whole family.

## Key Features

- Offered in concrete finish (pictured) and stone finish
- Many additional security posts and site amenities offered
- Design assistance, including CAD drawings, available
- Free project consultation and quote
- Satisfaction guaranteed

## Specifications

**Age Range:**  
N/A

**Dimensions:**  
N/A

**Play Area:**  
N/A

**Mounting Options:**  
See Typical  
Installation Details



## Contact Us

Ordering from The 4 Kids is easy, initial consultation & quote is free. We can also provide you with design ideas and conceptual drawings. We want your whole experience with The 4 Kids to be smooth & rewarding.

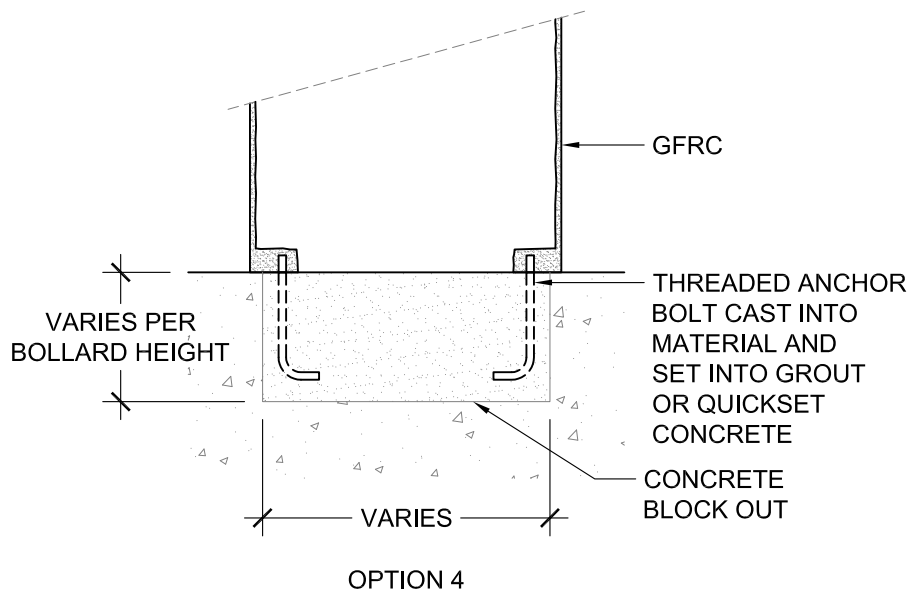
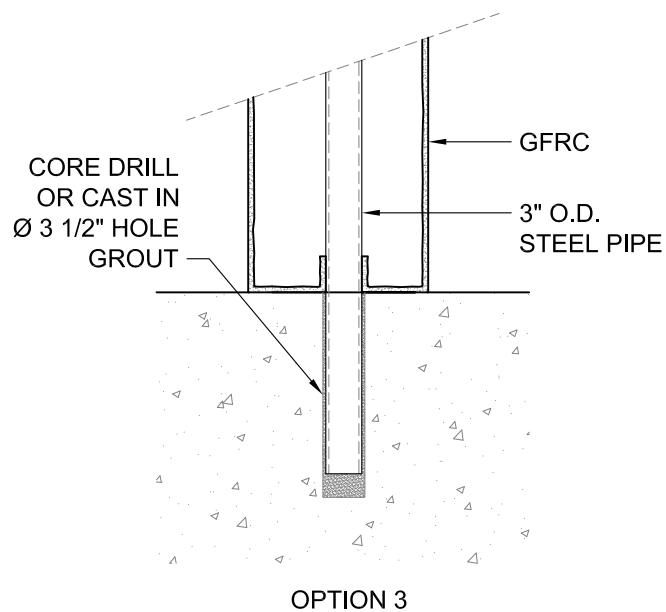
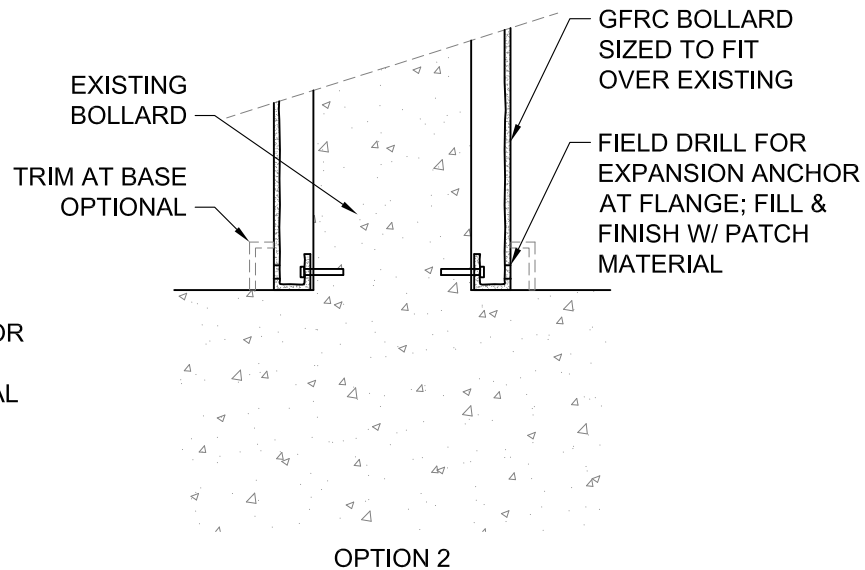
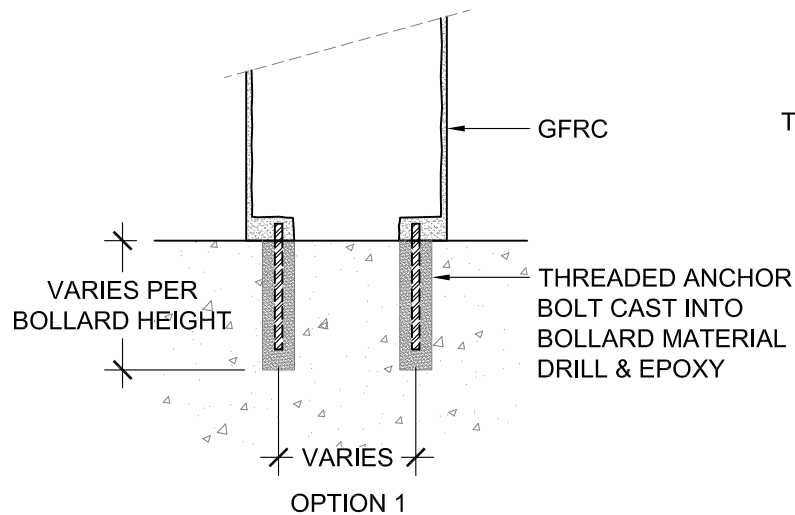
4400 Oneal St. Greenville, TX 75401

903.454.9237

[info@the4kids.com](mailto:info@the4kids.com)

[www.the4kids.com](http://www.the4kids.com)

© 2014 The 4 Kids Inc. All rights reserved.



ALL RIGHTS RESERVED. THIS DRAWING IS PROPERTY OF THE 4 KIDS INC. AND MAY BE USED ONLY WHEN UTILIZING THE 4 KIDS PRODUCTS. THE 4 KIDS INC. GENERAL TERMS AND CONDITIONS APPLY AND ARE INCORPORATE HERE IN BY REFERENCE. THIS DETAIL MAY NOT APPLY TO ALL CONDITIONS AND CONSTRUCTION SITUATIONS.



**CUSTOM THEMED PLAYGROUNDS**

4400 ONEAL STREET, GREENVILLE, TX 75401 PHONE 903.454.9237 FAX 903.454.3642

TITLE: BOLLARD

TYPE DWG: MOUNTING

SCALE: AS NOTED

DWG. SHEET: **SBSP-M1**