

# Greene Bollard Planter

---

---



If you love multifunctional amenities as much as we do then you'll dig the Greene Bollard Planter. This trough - style planter adds interest to any plaza, school, condo, residential development, or office building. We've designed this to be fully customizable: size, color, and finish. It looks fantastic displayed on its own, but it's also impressive in a grouping. Built from architectural-quality, reinforced material, this planter adds an extra measure of safety by resisting impact and helping protect people, vehicles, or buildings.

The 4 Kids was born out of a desire to create high quality, one-of-a-kind park shelters and play environments that effectively appeal to children's natural curiosity and imagination.

All of our products are custom designed to work perfectly with your unique playground. Let us know how we can meet your specific needs by contacting our knowledgeable design specialists, today.

## Contact Us

Ordering from The 4 Kids is easy, initial consultation & quote is free.  
We can also provide you with design ideas and conceptual drawings.  
We want your whole experience with The 4 Kids to be smooth & rewarding.

4400 Oneal St. Greenville, TX 75401

903.454.9237

[info@the4kids.com](mailto:info@the4kids.com)

[www.the4kids.com](http://www.the4kids.com)

## Why Use Us?

Let our team of experienced engineers and artists make your playground the destination for fun! We can create an exciting space where children's imaginations can run wild. A playscape where parents can feel secure and create lasting memories with their whole family.

## Key Features

- Resistant to weather and corrosion
- Available finishes include stone (pictured), and concrete
- Courteous experts in site amenities on hand to help
- Design assistance, material samples, and CAD details available
- No-cost consultation and quote

## Specifications

### Age Range:

N/A

### Dimensions:

9'2"L x 3'W x 3'H

### Use Zone:

N/A

### Mounting Options:

See Typical Installation Details



## Contact Us

Ordering from The 4 Kids is easy, initial consultation & quote is free. We can also provide you with design ideas and conceptual drawings. We want your whole experience with The 4 Kids to be smooth & rewarding.

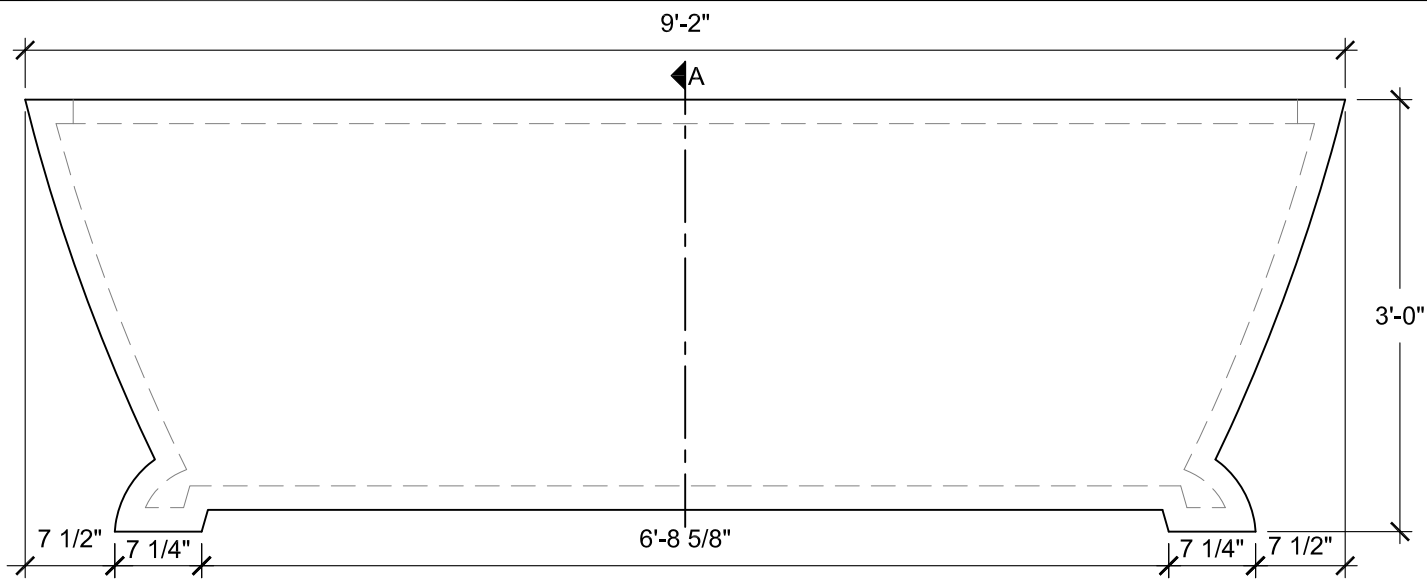
4400 Oneal St. Greenville, TX 75401

903.454.9237

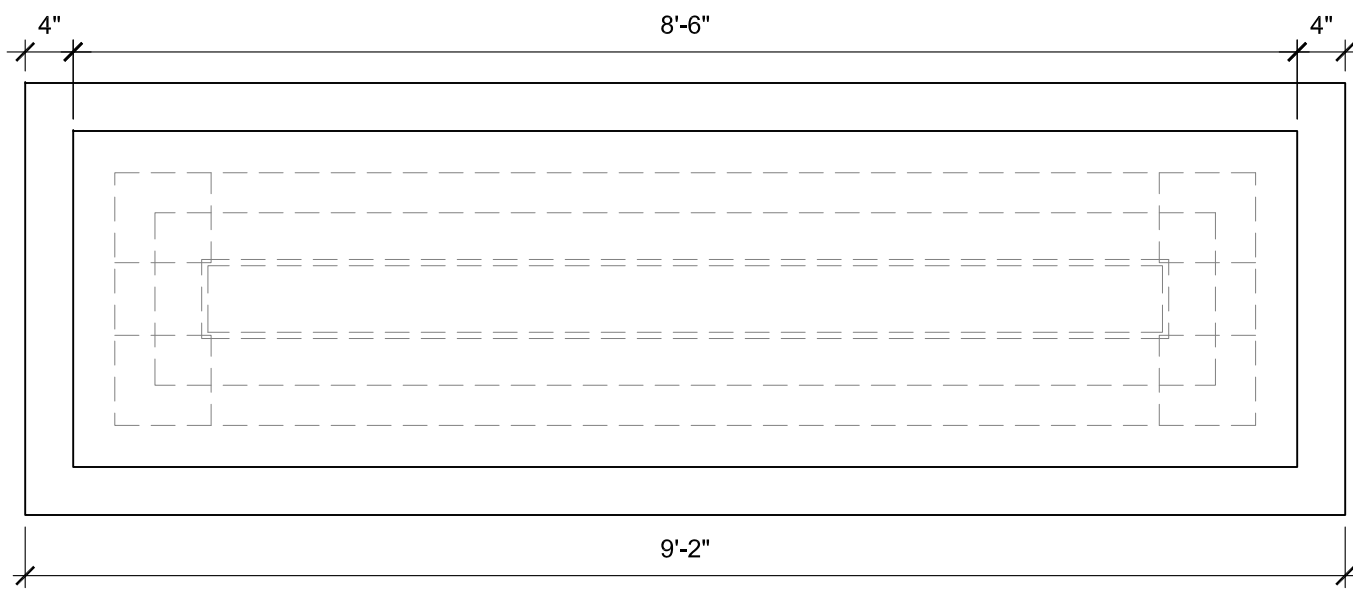
[info@the4kids.com](mailto:info@the4kids.com)

[www.the4kids.com](http://www.the4kids.com)

© 2014 The 4 Kids Inc. All rights reserved.



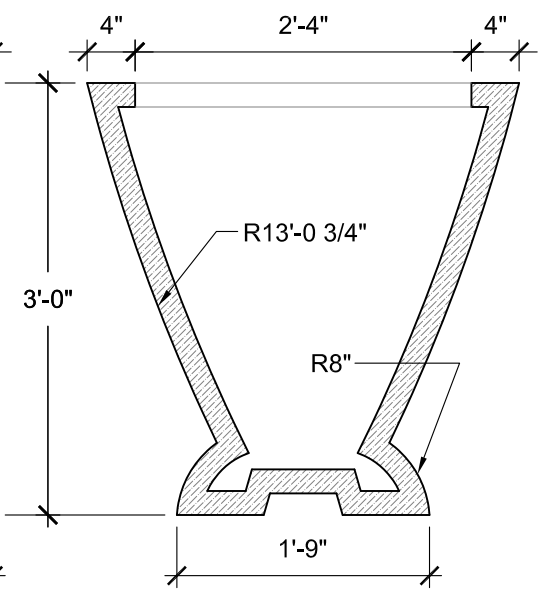
FRONT VIEW  
SCALE: 3/4" = 1'-0"



TOP VIEW  
SCALE: 3/4" = 1'-0"

## SIZE CHART

NAME	HEIGHT	WIDTH
SBSP 103.1	2'-0"	6'-1"
SBSP 103.2	2'-6"	7'-7"
SBSP 103.3	3'-0"	9'-2"
SBSP 103.4	3'-6"	10'-8"



SECTION A  
SCALE: 3/4" = 1'-0"

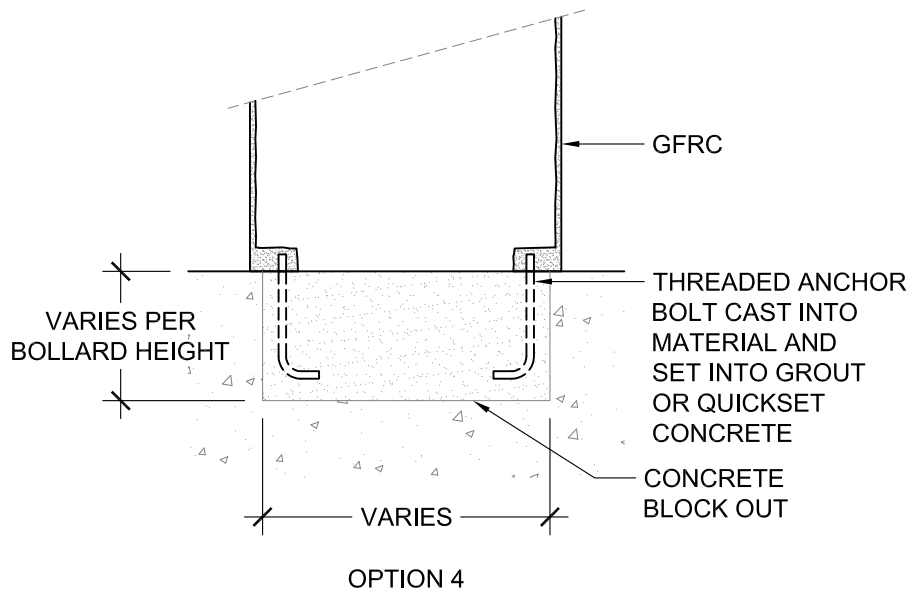
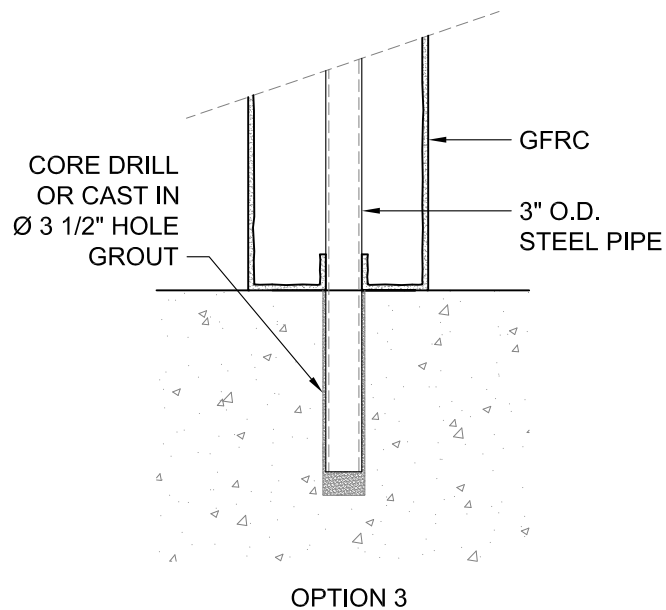
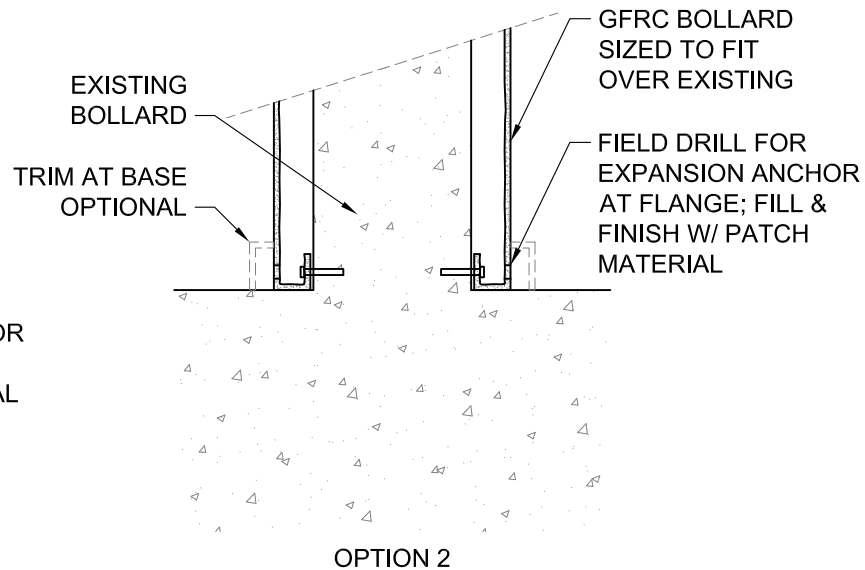
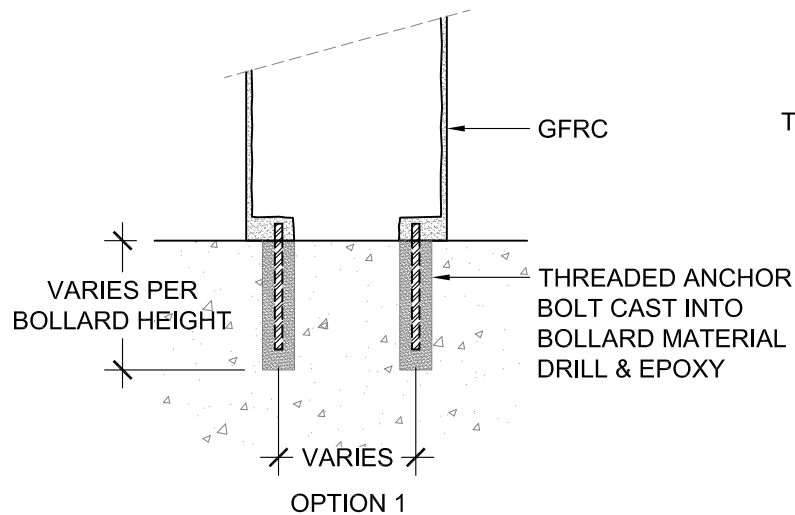
ALL RIGHTS RESERVED. THIS DRAWING IS PROPERTY OF STROMBERG ARCHITECTURAL PRODUCTS INC. AND MAY BE USED ONLY WHEN UTILIZING STROMBERG ARCH. PRODUCTS. STROMBERG GENERAL TERMS AND CONDITIONS APPLY AND ARE INCORPORATED HERE IN BY REFERENCE. THIS DETAIL MAY NOT APPLY TO ALL CONDITIONS AND CONSTRUCTION SITUATIONS.


**Stromberg Architectural Products**

  
 4400 Oneal Street, Greenville, TX 75404 (903) 454-0904 FAX (903) 454-3642

TITLE: SBSP-103  
 SCALE: AS NOTED

TYPE DWG: SECURITY BOLLARD  
 DWG. SHEET: **SBSP-103**



ALL RIGHTS RESERVED. THIS DRAWING IS PROPERTY OF THE 4 KIDS INC. AND MAY BE USED ONLY WHEN UTILIZING THE 4 KIDS PRODUCTS. THE 4 KIDS INC. GENERAL TERMS AND CONDITIONS APPLY AND ARE INCORPORATE HERE IN BY REFERENCE. THIS DETAIL MAY NOT APPLY TO ALL CONDITIONS AND CONSTRUCTION SITUATIONS.



**CUSTOM THEMED PLAYGROUNDS**

4400 ONEAL STREET, GREENVILLE, TX 75401 PHONE 903.454.9237 FAX 903.454.3642

TITLE: BOLLARD

TYPE DWG: MOUNTING

SCALE: AS NOTED

DWG. SHEET: **SBSP-M1**