



# Hamilton Bollard Planter

---

---



The Hamilton Bollard Planter offers simple style that allows you to showcase the greenery that transforms landscapes and streetscapes. The design is classic without being fussy, making it an appealing fit for many architectural styles. It's ideal for residential buildings, offices, arboretums, public gardens, and more. The 4 Kids uses high-quality material reinforced with glass fiber, creating a strong amenity that withstands virtually any weather condition as well as impact. Choose from one of our many colors or have us color match existing finishes on your property.

The 4 Kids was born out of a desire to create high quality, one-of-a-kind park shelters and play environments that effectively appeal to children's natural curiosity and imagination.

All of our products are custom designed to work perfectly with your unique playground. Let us know how we can meet your specific needs by contacting our knowledgeable design specialists, today.

## Contact Us

Ordering from The 4 Kids is easy, initial consultation & quote is free.  
We can also provide you with design ideas and conceptual drawings.  
We want your whole experience with The 4 Kids to be smooth & rewarding.

4400 Oneal St. Greenville, TX 75401

903.454.9237

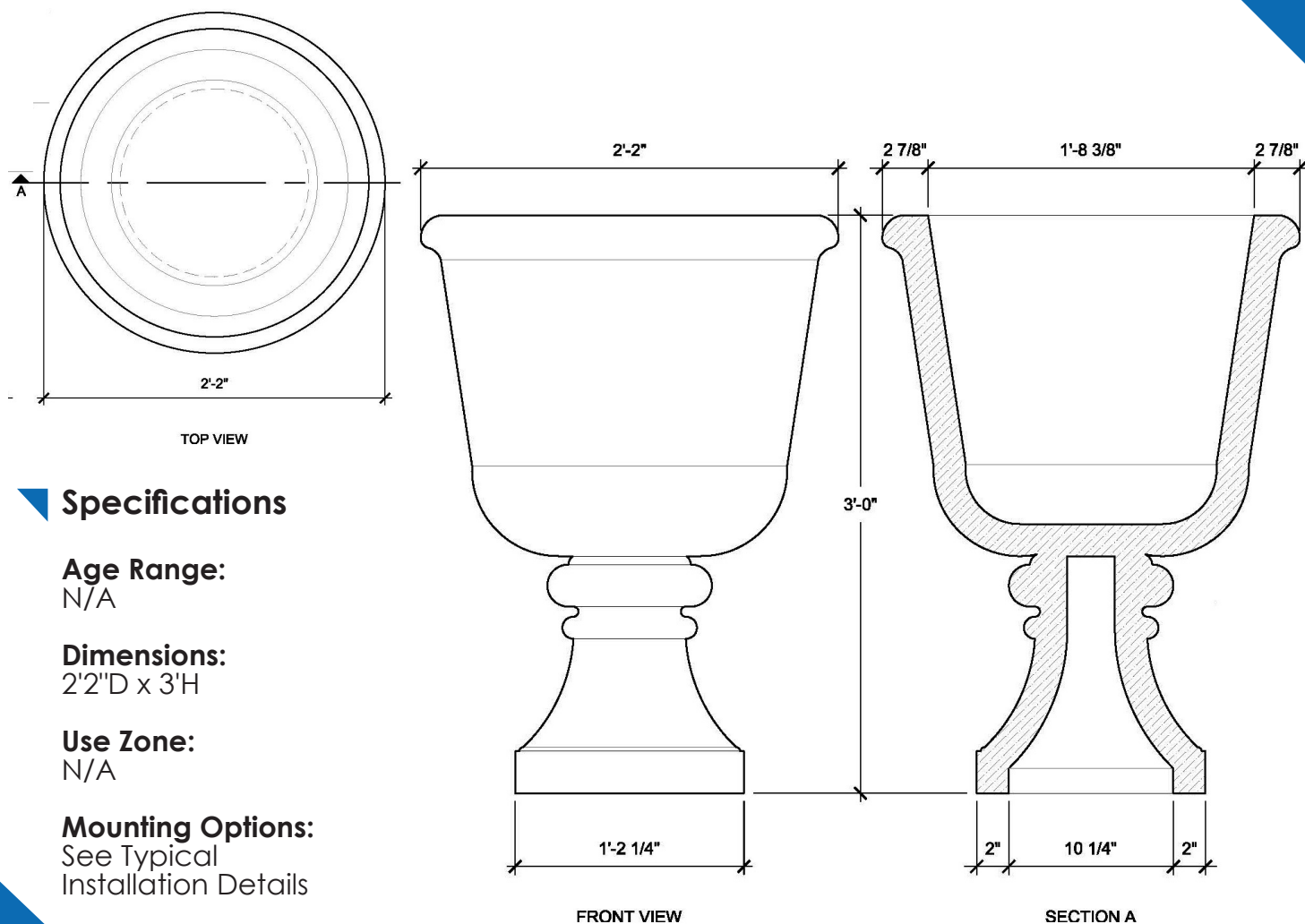
[info@the4kids.com](mailto:info@the4kids.com)

[www.the4kids.com](http://www.the4kids.com)

Let our team of experienced engineers and artists make your playground the destination for fun! We can create an exciting space where children's imaginations can run wild. A playscape where parents can feel secure and create lasting memories with their whole family.

**Key Features**

- Fully customizable size
- Easy to install
- Many additional styles offered, from classical to modern
- Friendly customer service team
- No - cost, no-obligation consultation and quote
- We love custom work -- call to learn more



**Specifications**

**Age Range:**  
N/A

**Dimensions:**  
2'2"D x 3'H

**Use Zone:**  
N/A

**Mounting Options:**  
See Typical Installation Details

**SIZE CHART**

NAME	HEIGHT	WIDTH
SBOP 105.1	2'-0"	1'-6"
SBOP 105.2	2'-6"	1'-10"
SBOP 105.3	3'-0"	2'-2"
SBOP 105.4	3'-6"	2'-7"

**Contact Us**

Ordering from The 4 Kids is easy, initial consultation & quote is free. We can also provide you with design ideas and conceptual drawings. We want your whole experience with The 4 Kids to be smooth & rewarding.

4400 Oneal St. Greenville, TX 75401

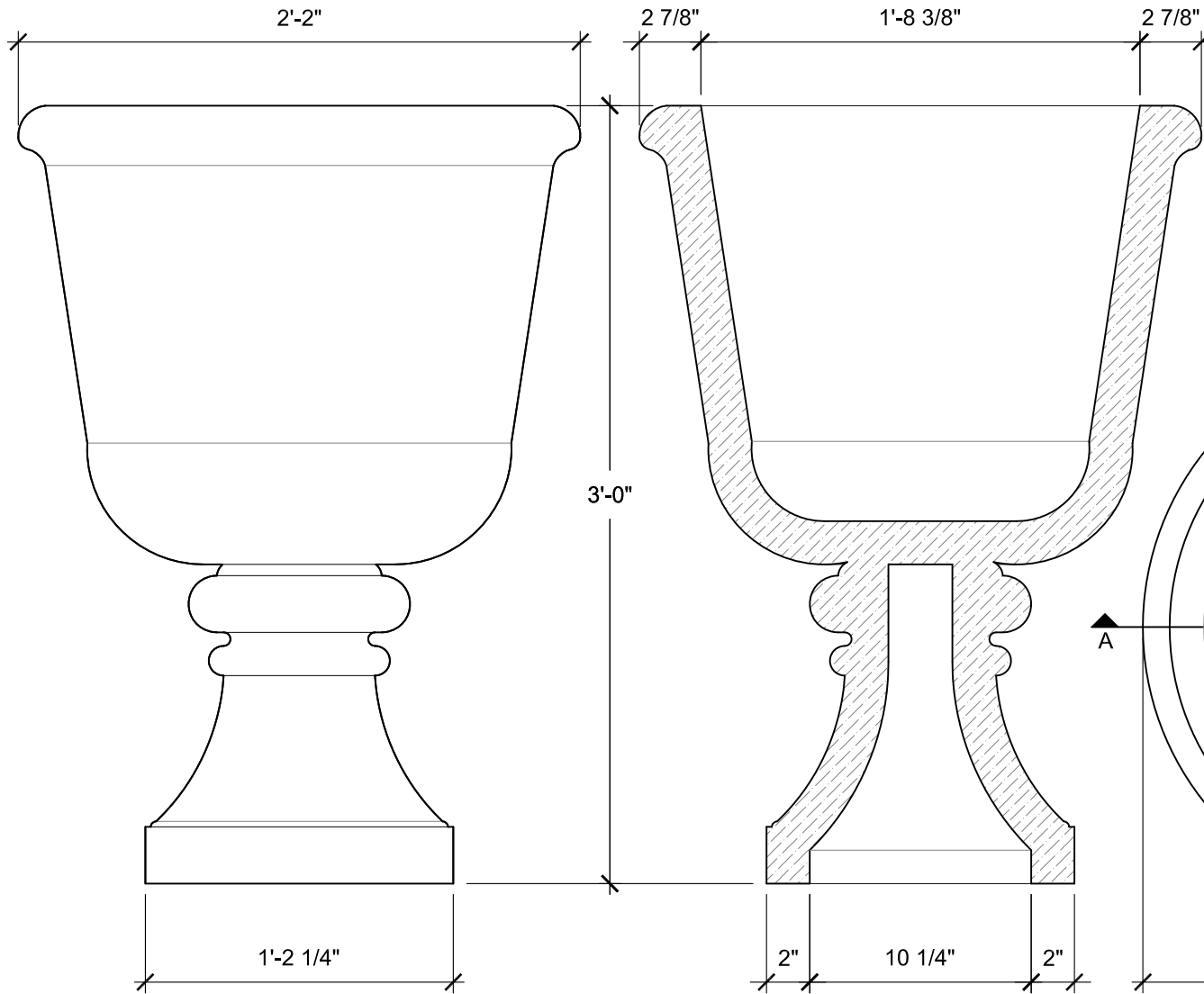
903.454.9237

info@the4kids.com

www.the4kids.com

# SIZE CHART

NAME	HEIGHT	WIDTH
SBOP 105.1	2'-0"	1'-6"
SBOP 105.2	2'-6"	1'-10"
SBOP 105.3	3'-0"	2'-2"
SBOP 105.4	3'-6"	2'-7"



FRONT VIEW  
SCALE: 1 1/2" = 1'-0"

SECTION A  
SCALE: 1 1/2" = 1'-0"

TOP VIEW  
SCALE: 1 1/2" = 1'-0"

ALL RIGHTS RESERVED. THIS DRAWING IS PROPERTY OF THE 4 KIDS INC. AND MAY BE USED ONLY WHEN UTILIZING THE 4 KIDS PRODUCTS. THE 4 KIDS INC. GENERAL TERMS AND CONDITIONS APPLY AND ARE INCORPORATE HERE IN BY REFERENCE. THIS DETAIL MAY NOT APPLY TO ALL CONDITIONS AND CONSTRUCTION SITUATIONS.



**CUSTOM THEMED PLAYGROUNDS**

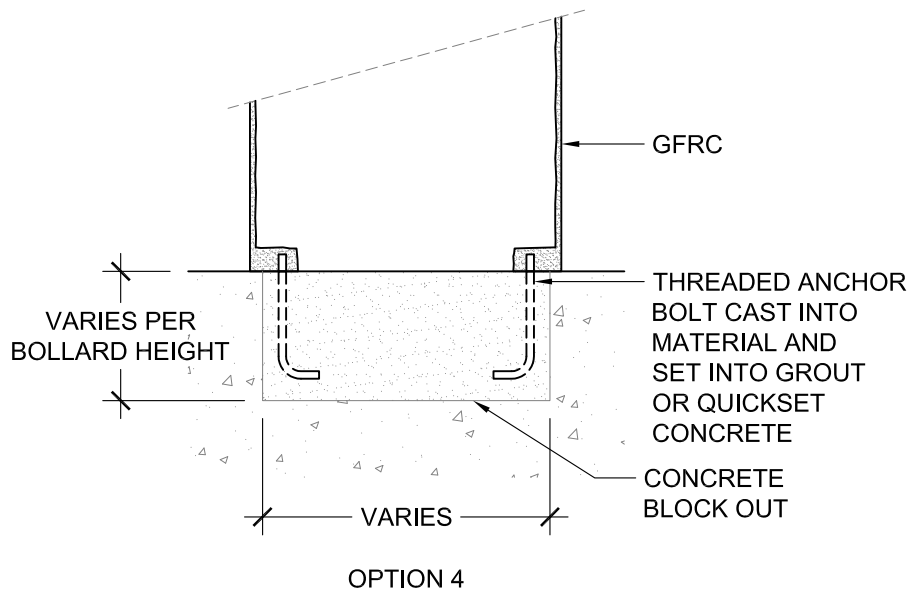
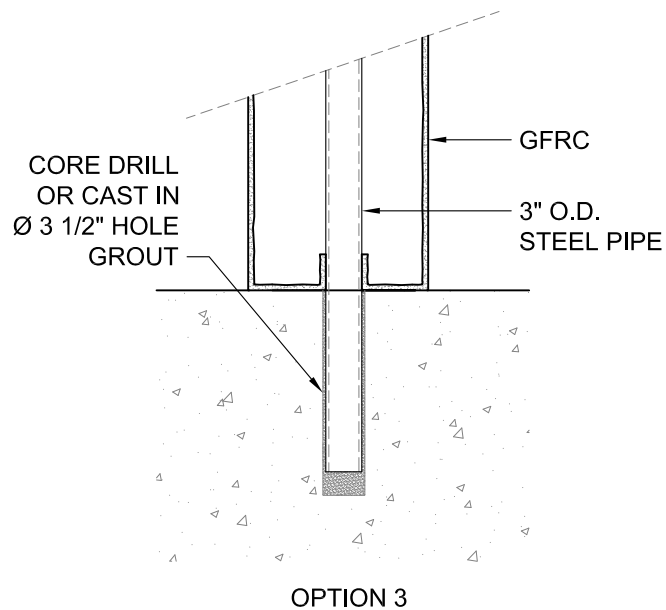
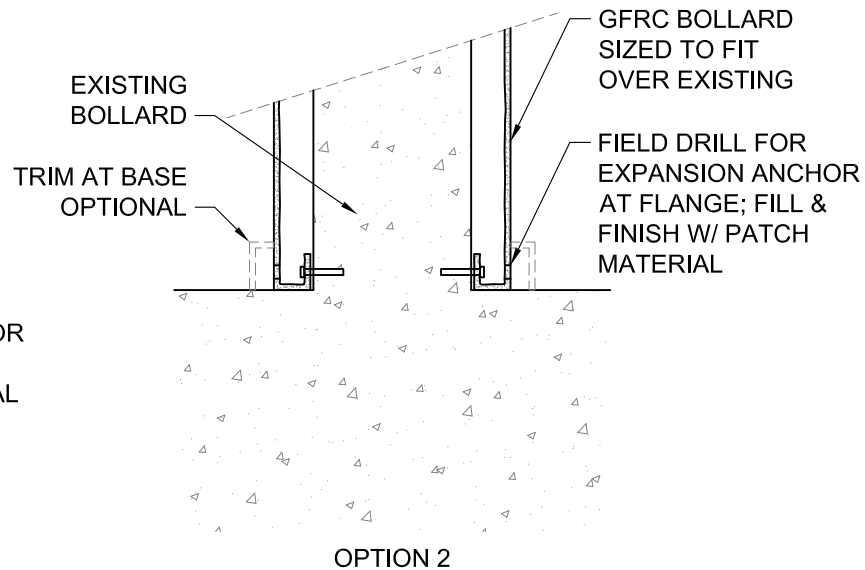
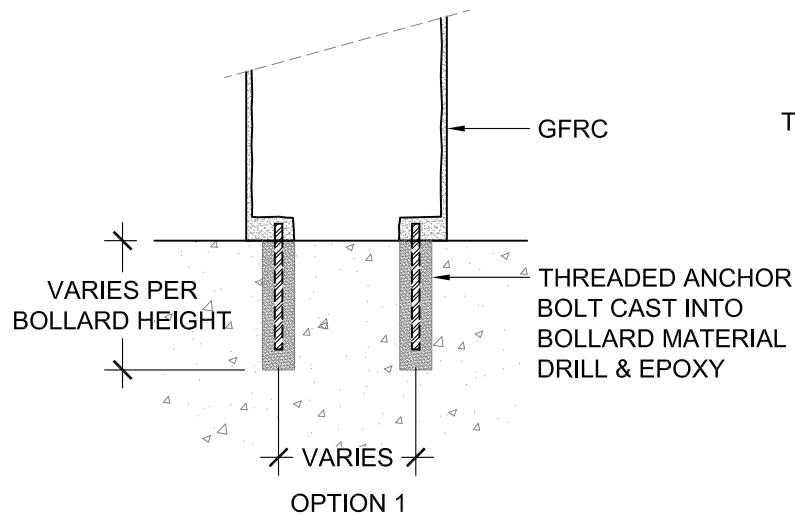
4400 ONEAL STREET, GREENVILLE, TX 75401 PHONE 903.454.9237 FAX 903.454.3642

TITLE: HAMILTON BOLLARD PLANTER

TYPE DWG: SECURITY BOLLARD

SCALE: AS NOTED

DWG. SHEET: **SBOP-105**



ALL RIGHTS RESERVED. THIS DRAWING IS PROPERTY OF THE 4 KIDS INC. AND MAY BE USED ONLY WHEN UTILIZING THE 4 KIDS PRODUCTS. THE 4 KIDS INC. GENERAL TERMS AND CONDITIONS APPLY AND ARE INCORPORATE HERE IN BY REFERENCE. THIS DETAIL MAY NOT APPLY TO ALL CONDITIONS AND CONSTRUCTION SITUATIONS.



**CUSTOM THEMED PLAYGROUNDS**

4400 ONEAL STREET, GREENVILLE, TX 75401 PHONE 903.454.9237 FAX 903.454.3642

TITLE: BOLLARD

TYPE DWG: MOUNTING

SCALE: AS NOTED

DWG. SHEET: **SBSP-M1**