

# Hancock Bollard Planter

---

---



The Hancock Bollard Planter adds graceful lines and unquestioned style to properties like restaurants, museums, resorts, botanical gardens, parks, and more. The vase - like design is perfectly suited for flowers, greenery, and other decorative accents. The 4 Kids builds this ornamental bollard planter with architectural grade material, like glass fiber reinforced concrete (GFRC), which won't fade or corrode. It's also resistant to impact, adding an additional level of safety for pedestrians, patrons, and property. No worries about maintenance or install hassles either! Like many of our site amenities, the Hancock requires little to no maintenance and it's easy to install.

The 4 Kids was born out of a desire to create high quality, one-of-a-kind park shelters and play environments that effectively appeal to children's natural curiosity and imagination.

All of our products are custom designed to work perfectly with your unique playground. Let us know how we can meet your specific needs by contacting our knowledgeable design specialists, today.

## Contact Us

Ordering from The 4 Kids is easy, initial consultation & quote is free.  
We can also provide you with design ideas and conceptual drawings.  
We want your whole experience with The 4 Kids to be smooth & rewarding.

4400 Oneal St. Greenville, TX 75401

903.454.9237

[info@the4kids.com](mailto:info@the4kids.com)

[www.the4kids.com](http://www.the4kids.com)

## Why Use Us?

Let our team of experienced engineers and artists make your playground the destination for fun! We can create an exciting space where children's imaginations can run wild. A playscape where parents can feel secure and create lasting memories with their whole family.

## Key Features

- Available in finishes like concrete and stone
- Nearly endless color options
- Fully customizable size
- Customer service team ready to provide a free quote

## Specifications

**Age Range:**  
N/A

**Dimensions:**  
2'6"D x 3'H

**Use Zone:**  
N/A

**Mounting Options:**  
See Typical  
Installation Details



## Contact Us

Ordering from The 4 Kids is easy, initial consultation & quote is free. We can also provide you with design ideas and conceptual drawings. We want your whole experience with The 4 Kids to be smooth & rewarding.

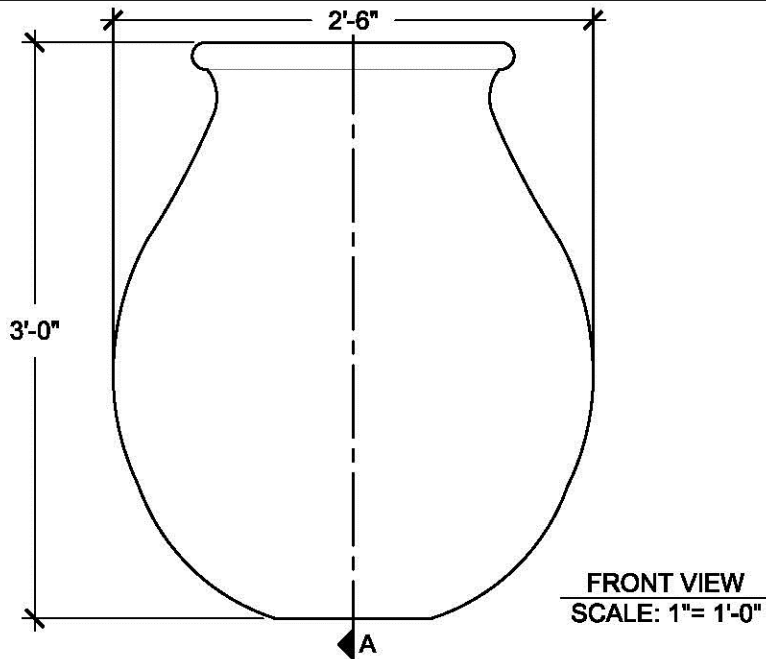
4400 Oneal St. Greenville, TX 75401

903.454.9237

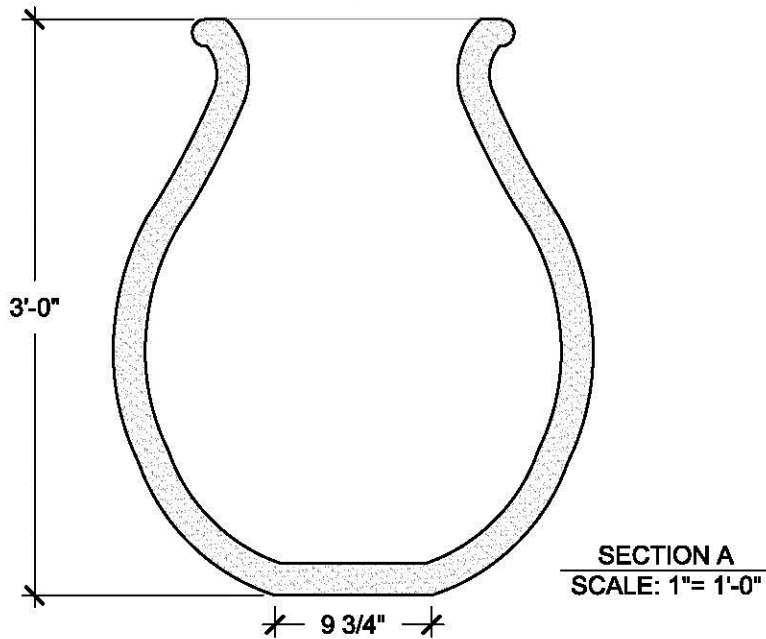
info@the4kids.com

www.the4kids.com

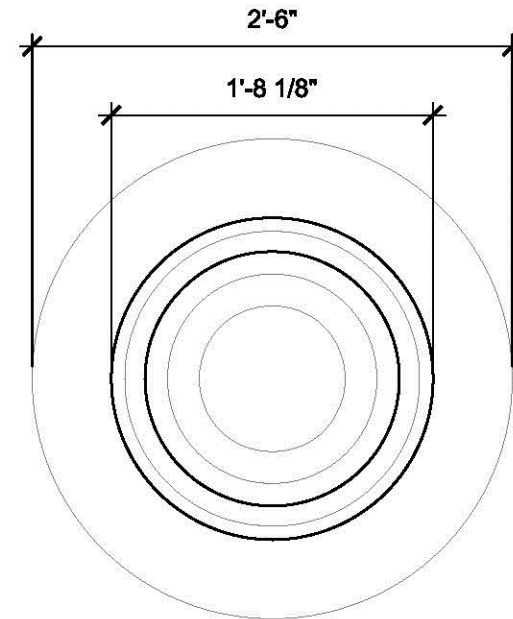
© 2014 The 4 Kids Inc. All rights reserved.



FRONT VIEW  
SCALE: 1"= 1'-0"



SECTION A  
SCALE: 1"= 1'-0"



TOP VIEW  
SCALE: 1"= 1'-0"

## SIZE CHART

NAME	HEIGHT	WIDTH
SBSP 100.1	2'-0"	1'-8"
SBSP 100.2	2'-6"	2'-1"
SBSP 100.3	3'-0"	2'-6"
SBSP 100.4	3'-6"	2'-11"

ALL RIGHTS RESERVED. THIS DRAWING IS PROPERTY OF THE 4 KIDS INC. AND MAY BE USED ONLY WHEN UTILIZING THE 4 KIDS PRODUCTS. THE 4 KIDS INC. GENERAL TERMS AND CONDITIONS APPLY AND ARE INCORPORATE HERE IN BY REFERENCE. THIS DETAIL MAY NOT APPLY TO ALL CONDITIONS AND CONSTRUCTION SITUATIONS.



**CUSTOM THEMED PLAYGROUNDS**

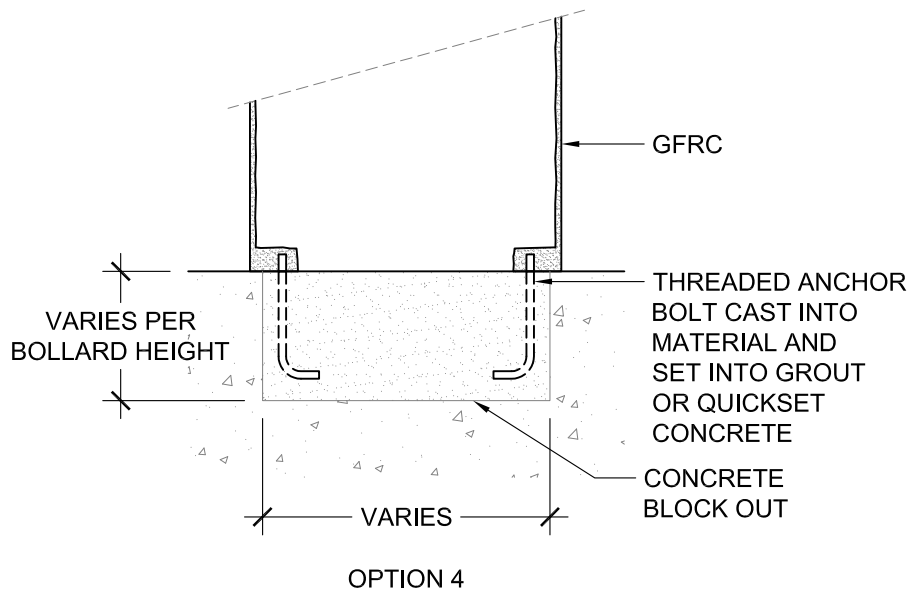
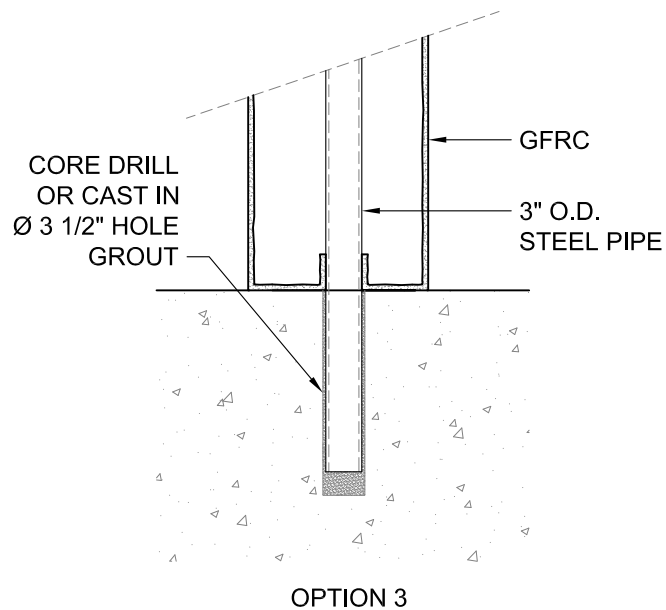
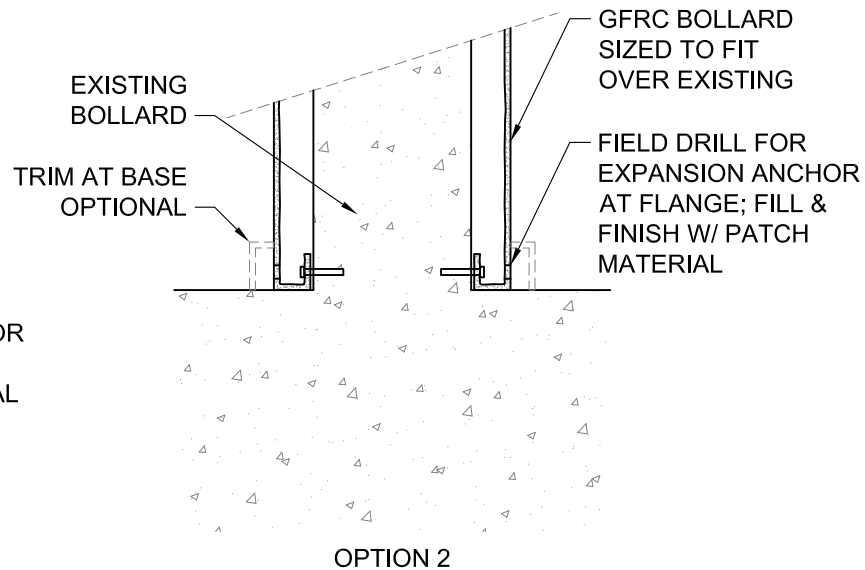
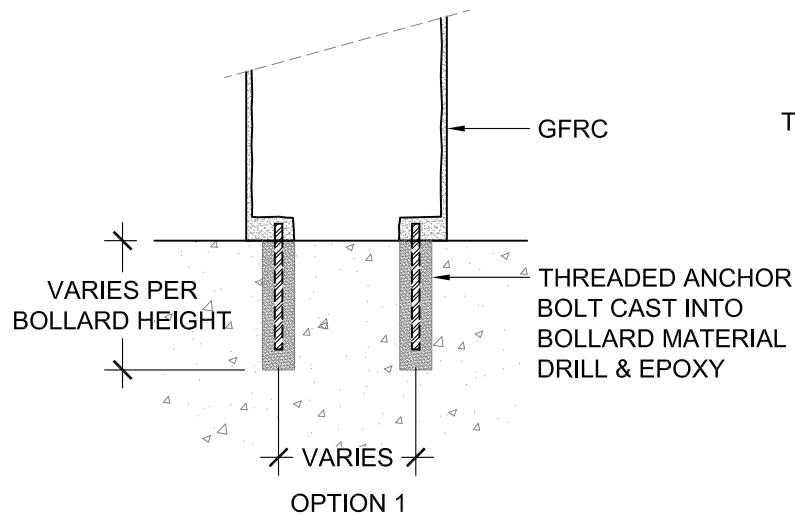
1100 ONEAL STREET, GREENVILLE, TX 75101 PHONE 903.454.9237 FAX 903.454.3642

TITLE: SBSP-100

SCALE: AS NOTED

TYPE DWG: SECURITY BOLLARD

DWG. SHEET: **SBSP-100**



ALL RIGHTS RESERVED. THIS DRAWING IS PROPERTY OF THE 4 KIDS INC. AND MAY BE USED ONLY WHEN UTILIZING THE 4 KIDS PRODUCTS. THE 4 KIDS INC. GENERAL TERMS AND CONDITIONS APPLY AND ARE INCORPORATE HERE IN BY REFERENCE. THIS DETAIL MAY NOT APPLY TO ALL CONDITIONS AND CONSTRUCTION SITUATIONS.



**CUSTOM THEMED PLAYGROUNDS**

4400 ONEAL STREET, GREENVILLE, TX 75401 PHONE 903.454.9237 FAX 903.454.3642

TITLE: BOLLARD

TYPE DWG: MOUNTING

SCALE: AS NOTED

DWG. SHEET: **SBSP-M1**