



Hocking Bollard Planter



Timeless style makes the Hocking Bollard Planter an elegant choice for arboretums, botanical gardens, museums, resorts, and more. We use architectural-quality material to construct a planter that adds beauty while functioning to divert vehicles or guide foot traffic. It's sturdy enough to handle whatever nature dishes out, and it will resist impact. The Hocking provides visual interest when displayed as a single piece, but it makes an impressive impact en masse. Since we deliver full custom services, you can even display a group of these bollard planters in different sizes.

The 4 Kids was born out of a desire to create high quality, one-of-a-kind park shelters and play environments that effectively appeal to children's natural curiosity and imagination.

All of our products are custom designed to work perfectly with your unique playground. Let us know how we can meet your specific needs by contacting our knowledgeable design specialists, today.

Contact Us

Ordering from The 4 Kids is easy, initial consultation & quote is free. We can also provide you with design ideas and conceptual drawings. We want your whole experience with The 4 Kids to be smooth & rewarding.

4400 Oneal St. Greenville, TX 75401

903.454.9237

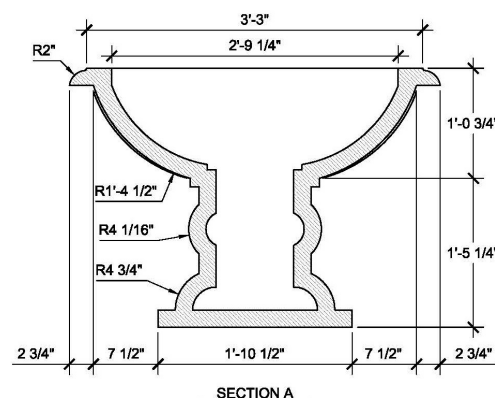
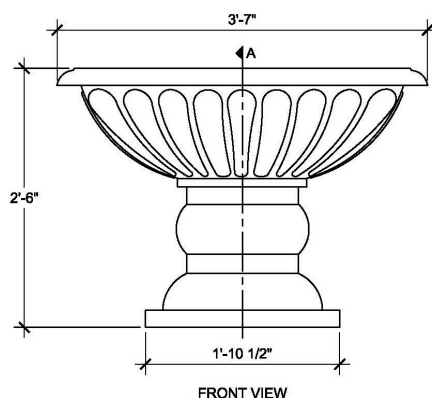
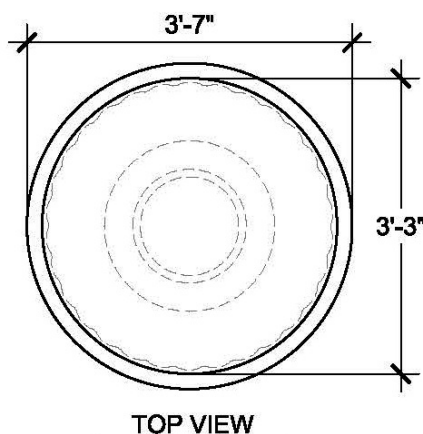
info@the4kids.com

www.the4kids.com

Let our team of experienced engineers and artists make your playground the destination for fun! We can create an exciting space where children's imaginations can run wild. A playscape where parents can feel secure and create lasting memories with their whole family.

Key Features

- Offered in finishes like concrete and stone
- Low-maintenance material
- Nearly endless color options, plus color matching for restoration
- Friendly team on hand to provide a free quote



Specifications

Age Range:
N/A

Dimensions:
N/A

Play Area:
N/A

Mounting Options:
See Typical
Installation Details

SIZE CHART

NAME	HEIGHT	WIDTH
SBOP 134.1	2'-0"	2'-10 1/2"
SBOP 134.2	2'-6"	3'-7"
SBOP 134.3	3'-0"	4'-3 1/2"
SBOP 134.4	3'-6"	5'-0 1/4"
SBOP 134.5	4'-0"	5'-8 3/4"

Contact Us

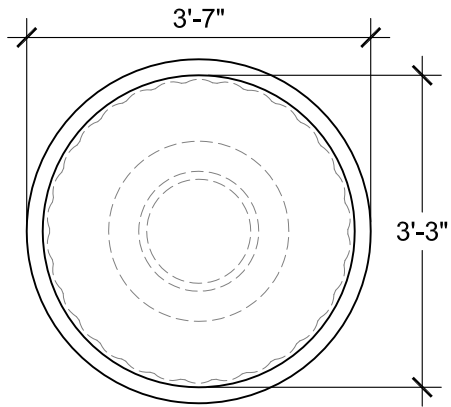
Ordering from The 4 Kids is easy, initial consultation & quote is free. We can also provide you with design ideas and conceptual drawings. We want your whole experience with The 4 Kids to be smooth & rewarding.

4400 Oneal St. Greenville, TX 75401

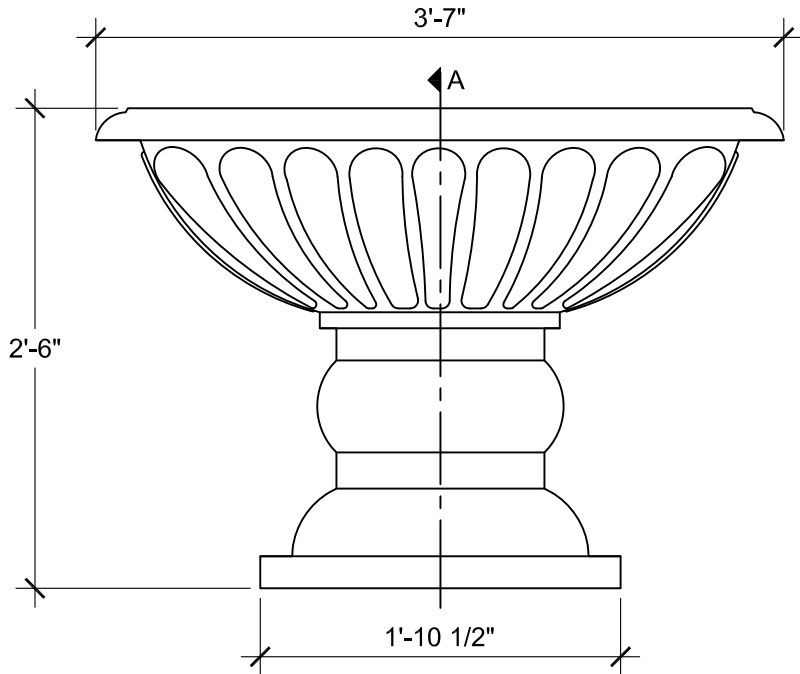
903.454.9237

info@the4kids.com

www.the4kids.com

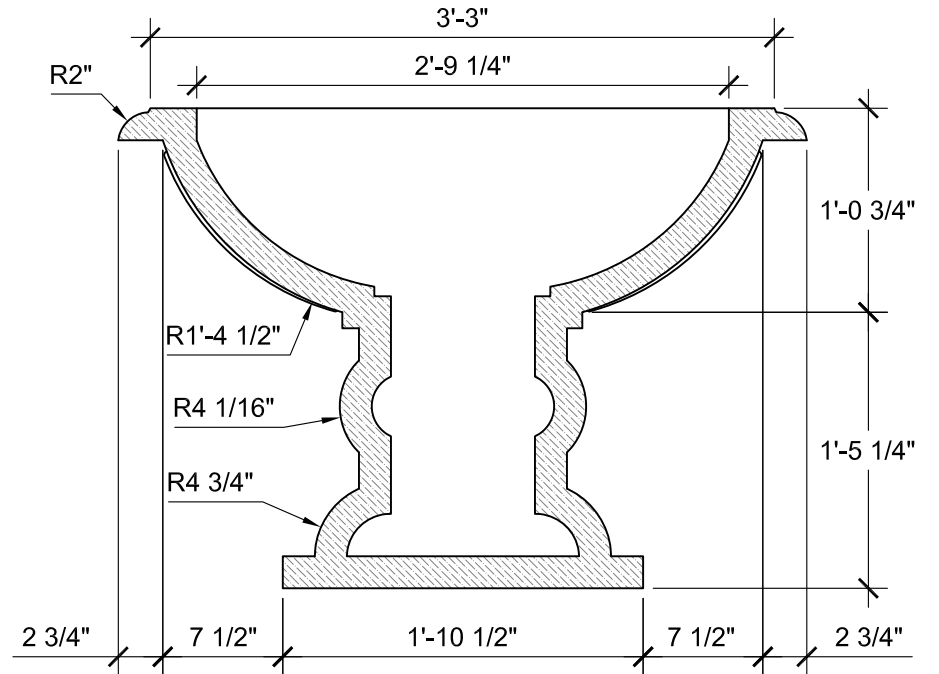


TOP VIEW
SCALE: 1/2" = 1'-0"



FRONT VIEW
SCALE: 1" = 1'-0"

SIZE CHART		
NAME	HEIGHT	WIDTH
SBOP 134.1	2'-0"	2'-10 1/2"
SBOP 134.2	2'-6"	3'-7"
SBOP 134.3	3'-0"	4'-3 1/2"
SBOP 134.4	3'-6"	5'-0 1/4"
SBOP 134.5	4'-0"	5'-8 3/4"



SECTION A
SCALE: 1" = 1'-0"

ALL RIGHTS RESERVED. THIS DRAWING IS PROPERTY OF THE 4 KIDS INC. AND MAY BE USED ONLY WHEN UTILIZING THE 4 KIDS PRODUCTS. THE 4 KIDS INC. GENERAL TERMS AND CONDITIONS APPLY AND ARE INCORPORATE HERE IN BY REFERENCE. THIS DETAIL MAY NOT APPLY TO ALL CONDITIONS AND CONSTRUCTION SITUATIONS.



CUSTOM THEMED PLAYGROUNDS

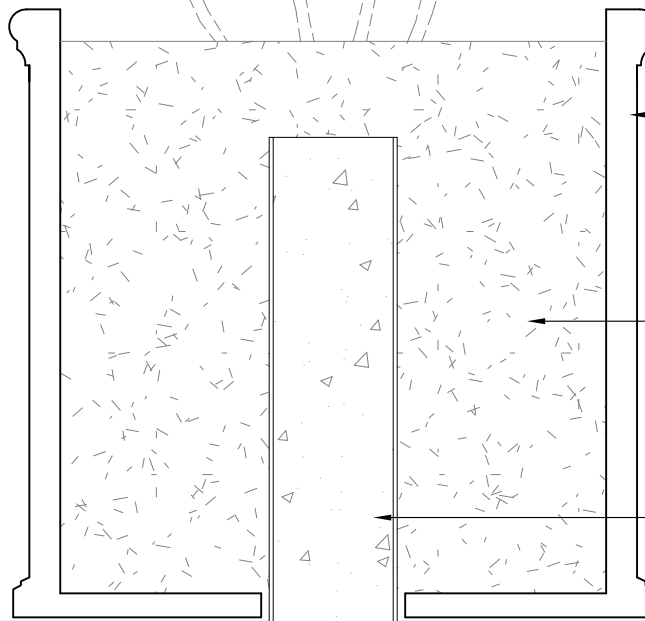
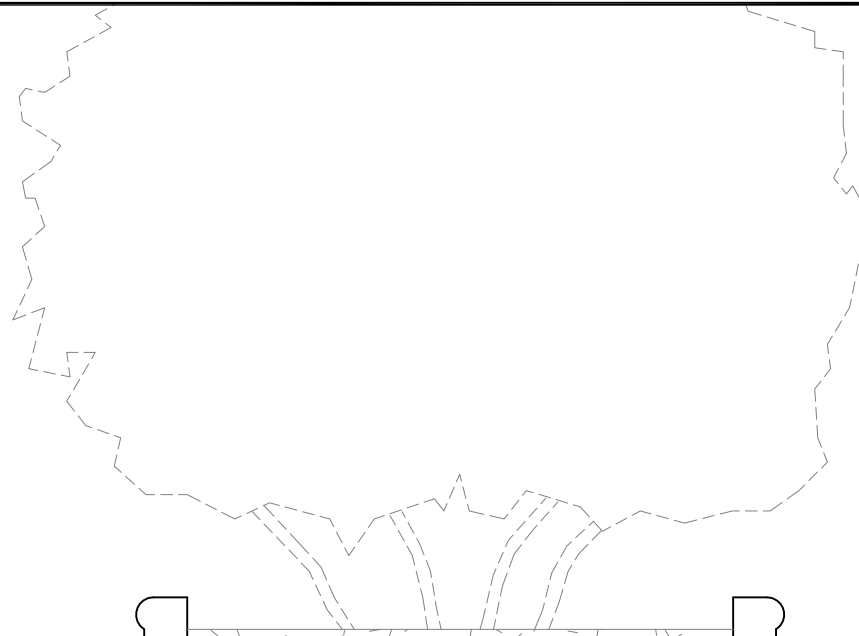
4400 ONEAL STREET, GREENVILLE, TX 75401 PHONE 903.454.9237 FAX 903.454.3642

TITLE: HOCKING BOLLARD

TYPE DWG: SBOP-134

SCALE: AS NOTED

DWG. SHEET: **SBOP-134**



SECURITY PLANTER

PLANTING MIX

8" STEEL PIPE

ALL RIGHTS RESERVED. THIS DRAWING IS PROPERTY OF THE 4 KIDS INC. AND MAY BE USED ONLY WHEN UTILIZING THE 4 KIDS PRODUCTS. THE 4 KIDS INC. GENERAL TERMS AND CONDITIONS APPLY AND ARE INCORPORATE HERE IN BY REFERENCE. THIS DETAIL MAY NOT APPLY TO ALL CONDITIONS AND CONSTRUCTION SITUATIONS.



CUSTOM THEMED PLAYGROUNDS

4400 ONEAL STREET, GREENVILLE, TX 75401 PHONE 903.454.9237 FAX 903.454.3642

TITLE: MOUNTING

SCALE: 1" = 1'-0"

TYPE DWG: SECURITY PLANTER

DWG. SHEET: **SBSP-M2**