



Holmeswood Post Topper



For a generous measure of style and elegance, a post complete with The 4 Kids Holmeswood Post Topper is a treasure. A subtle blending of beige tones and white on the impressive, smoothly curved sphere atop a matching post lends itself well as an important décor feature for restaurants, casinos, themed spaces and venues, spas and salons. The possibilities are endless for this sophisticated design, the perfect feature for adding panache and flair to commercial or residential décor, indoors or outdoors. The Holmeswood Post Topper is a lovely piece as a stand alone décor accent or as a part of a collection of toppers for posts used as borders, signage or to define spaces in public arenas, retail outlets, at malls, museums and many other venues. The possibilities are endless for The 4 Kids Holmeswood Post Topper. Although the design is exceptional, the craftsmanship of this design is also impressive, especially since its superior finish is virtually maintenance free and weather resistant for indoor or outdoor use in all conditions, even snow, ice or salt spray.

The 4 Kids was born out of a desire to create high quality, one-of-a-kind park shelters and play environments that effectively appeal to children's natural curiosity and imagination.

All of our products are custom designed to work perfectly with your unique playground. Let us know how we can meet your specific needs by contacting our knowledgeable design specialists, today.

Contact Us

Ordering from The 4 Kids is easy, initial consultation & quote is free.
We can also provide you with design ideas and conceptual drawings.
We want your whole experience with The 4 Kids to be smooth & rewarding.

4400 Oneal St. Greenville, TX 75401

903.454.9237

info@the4kids.com

www.the4kids.com

Why Use Us?

Let our team of experienced engineers and artists make your playground the destination for fun! We can create an exciting space where children's imaginations can run wild. A playscape where parents can feel secure and create lasting memories with their whole family.

Key Features

- Custom designs for post toppers that pop
- Superior design by expert artists and sculptors
- Exceptional craftsmanship, high quality finish
- Virtually no maintenance in all weather conditions
- Elegant and stylish way to enhance décor

Specifications

Age Range:
N/A

Dimensions:
2'1" dia x Post
Height

Use Zone:
N/A

Mounting Options:
See Typical
Installation Details



Contact Us

Ordering from The 4 Kids is easy, initial consultation & quote is free. We can also provide you with design ideas and conceptual drawings. We want your whole experience with The 4 Kids to be smooth & rewarding.

4400 Oneal St. Greenville, TX 75401

903.454.9237

info@the4kids.com

www.the4kids.com

© 2014 The 4 Kids Inc. All rights reserved.

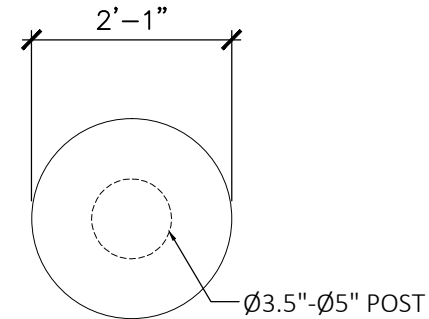
HOLMESWOOD BOLLARD POST TOPPER

2'1" X 2'1" X POST HEIGHT



PRODUCT VIEW

SCALE: NTS



TOP VIEW

SCALE: 1/2" = 1'

ALL RIGHTS RESERVED. THIS DRAWING IS PROPERTY OF THE 4 KIDS INC. AND MAY BE USED ONLY WHEN UTILIZING THE 4 KIDS INC. GENERAL TERMS AND CONDITIONS APPLY AND ARE INCORPORATED HERE IN BY REFERENCE. THIS DETAIL MAY NOT APPLY TO ALL CONDITIONS AND CONSTRUCTION SITUATIONS.

ITEM ID: POS131

MATERIAL:

MOLD

APX. TTL. WEIGHT

TOTAL # OF ITEM:

- LBS. [- KG]

TOTAL SQ. FEET: - [- sqm.]

PROJECT:

TITLE: HOLMESWOOD BOLLARD POST TOPPER

REFERENCES:

COLOR & PER APPROVED SAMPLE
TEXTURE: PER APPROVED SAMPLE



CUSTOM THEMED PLAYGROUNDS

4400 ONEAL STREET, GREENVILLE, TX 75401 PHONE 903.454.9237 FAX 903.454.3642

TYPE DWG:

DRAWN BY: ABS

DATE:

SCALE: AS NOTED

SHEET:

DWG. SHEET: