



# Holmeswood Bollard

---

---



The stately Holmeswood Bollard is an ideal way to divert traffic, define an off-limits area, or guide pedestrians. Crafted from sturdy material made to resist impact, weather, and even salt spray, this security post adds an extra measure of safety in a way that accentuates your property and existing site amenities. The 4 Kids team will mold this to any size you need, and we offer many colors and finishes. Don't weigh down your school, shopping complex, museum, or office building with heavy looking, non-decorative security barriers add an ornamental bollard instead.

The 4 Kids was born out of a desire to create high quality, one-of-a-kind park shelters and play environments that effectively appeal to children's natural curiosity and imagination.

All of our products are custom designed to work perfectly with your unique playground. Let us know how we can meet your specific needs by contacting our knowledgeable design specialists, today.

## Contact Us

Ordering from The 4 Kids is easy, initial consultation & quote is free.  
We can also provide you with design ideas and conceptual drawings.  
We want your whole experience with The 4 Kids to be smooth & rewarding.

4400 Oneal St. Greenville, TX 75401

903.454.9237

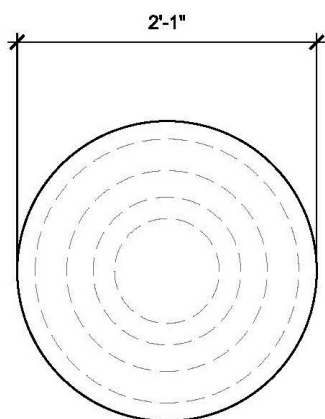
[info@the4kids.com](mailto:info@the4kids.com)

[www.the4kids.com](http://www.the4kids.com)

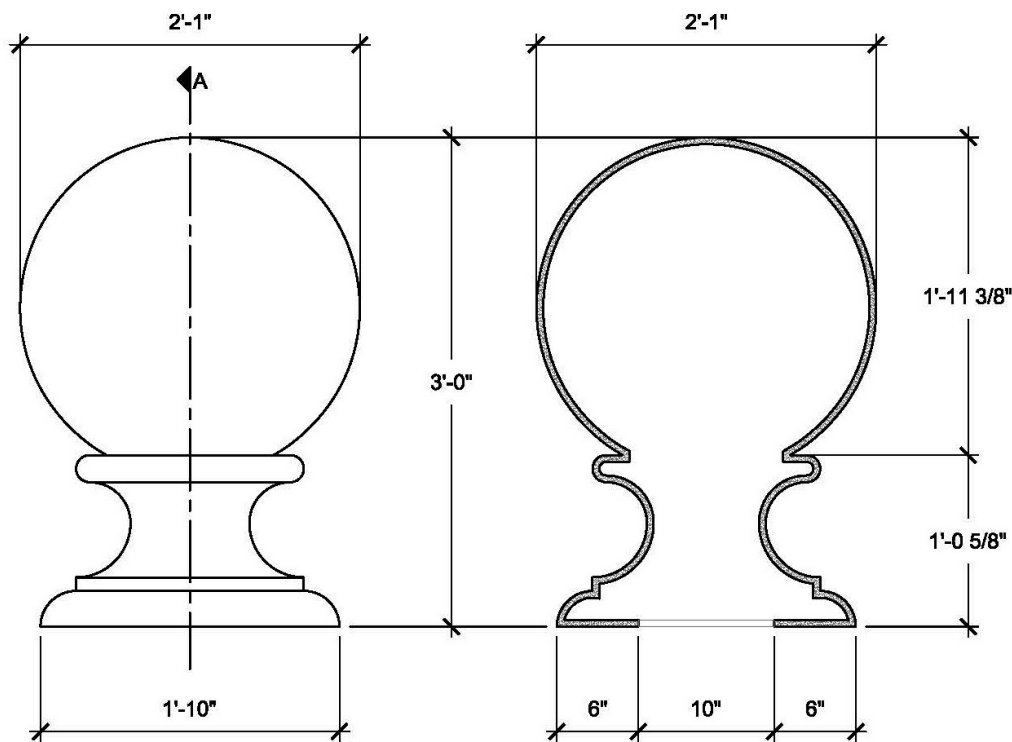
Let our team of experienced engineers and artists make your playground the destination for fun! We can create an exciting space where children's imaginations can run wild. A playscape where parents can feel secure and create lasting memories with their whole family.

**Key Features**

- Just one of many styles we offer, from planter bollards to illuminated security posts
- Fast turnaround time on most orders
- Friendly staff on hand to guide you
- Custom design and color projects welcome
- No-obligation, no-cost quote



TOP VIEW



FRONT VIEW

SECTION A

**Specifications**

**Age Range:**  
N/A

**Dimensions:**  
2'1\"D x 2'1\"H

**Use Zone:**  
N/A

**Mounting Options:**  
See Typical Installation Details

**SIZE CHART**

NAME	HEIGHT	WIDTH
SBOP 005.1	2'-0"	1'-5"
SBOP 005.2	2'-6"	1'-9"
SBOP 005.3	3'-0"	2'-1"
SBOP 005.4	3'-6"	2'-5"
SBOP 005.5	4'-0"	2'-9"

**Contact Us**

Ordering from The 4 Kids is easy, initial consultation & quote is free. We can also provide you with design ideas and conceptual drawings. We want your whole experience with The 4 Kids to be smooth & rewarding.

4400 Oneal St. Greenville, TX 75401

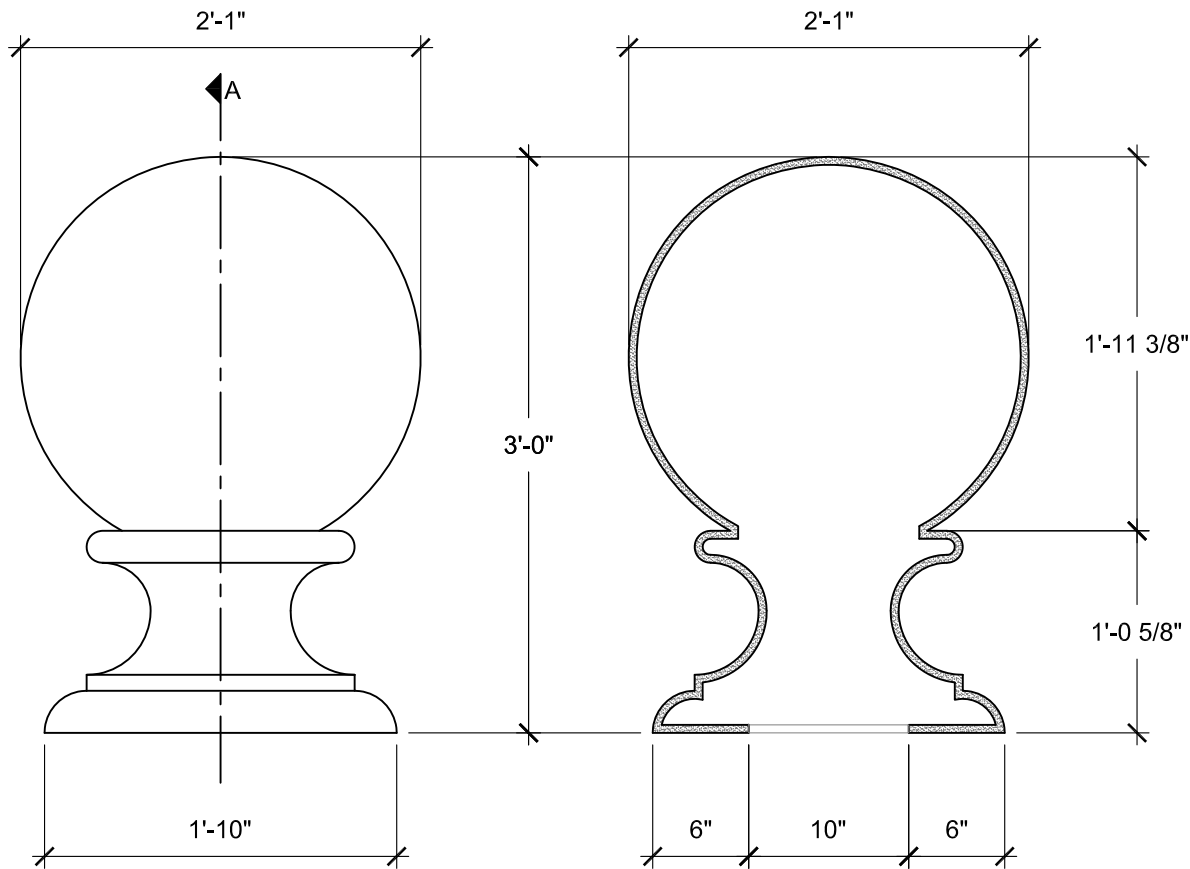
903.454.9237

info@the4kids.com

www.the4kids.com

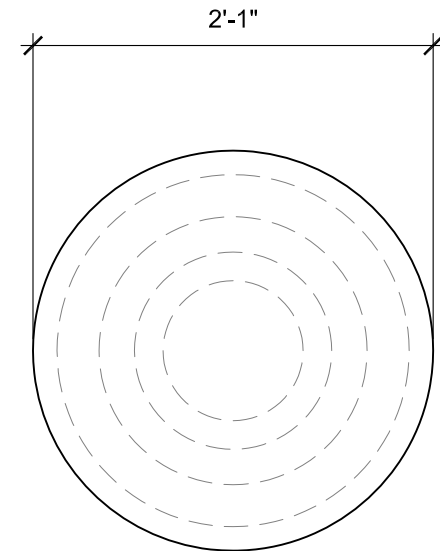
# SIZE CHART

NAME	HEIGHT	WIDTH
SBOP 005.1	2'-0"	1'-5"
SBOP 005.2	2'-6"	1'-9"
SBOP 005.3	3'-0"	2'-1"
SBOP 005.4	3'-6"	2'-5"
SBOP 005.5	4'-0"	2'-9"



FRONT VIEW  
SCALE: 1"= 1'-0"

SECTION A  
SCALE: 1"= 1'-0"



TOP VIEW  
SCALE: 1"= 1'-0"

ALL RIGHTS RESERVED. THIS DRAWING IS PROPERTY OF THE 4 KIDS INC. AND MAY BE USED ONLY WHEN UTILIZING THE 4 KIDS PRODUCTS. THE 4 KIDS INC. GENERAL TERMS AND CONDITIONS APPLY AND ARE INCORPORATE HERE IN BY REFERENCE. THIS DETAIL MAY NOT APPLY TO ALL CONDITIONS AND CONSTRUCTION SITUATIONS.



**CUSTOM THEMED PLAYGROUNDS**

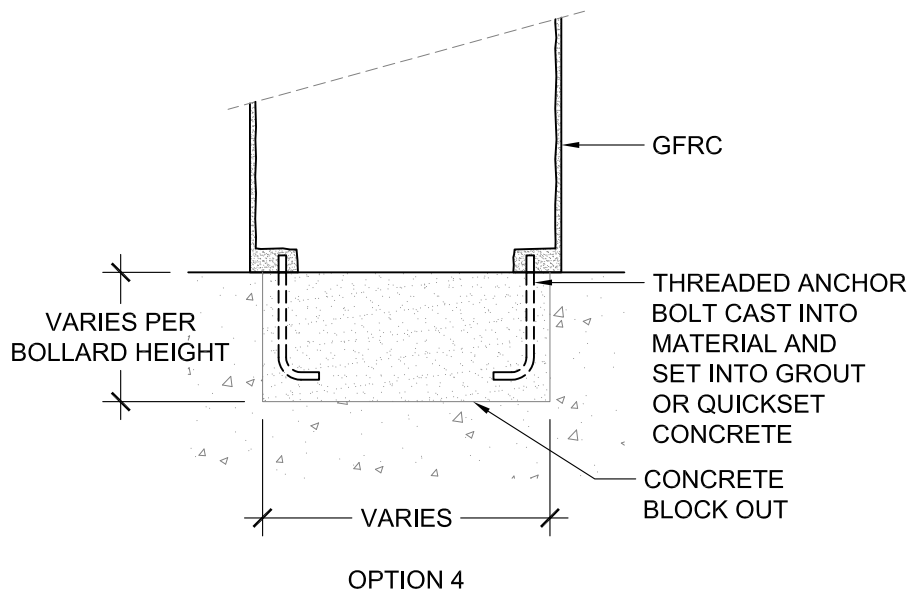
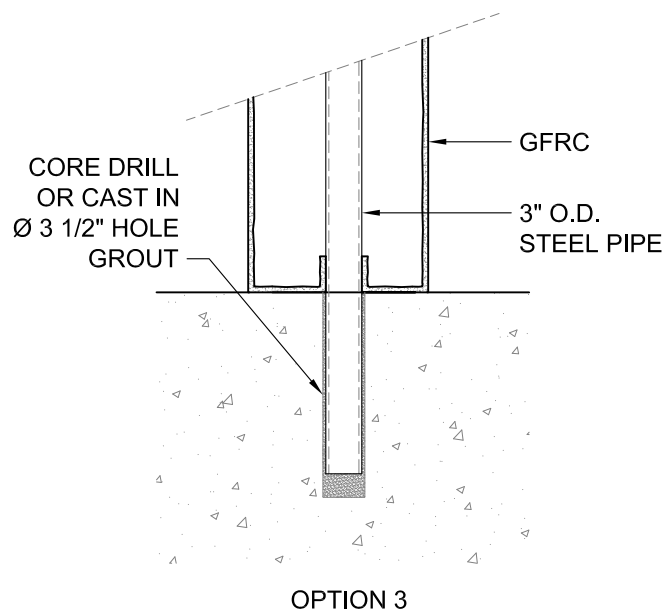
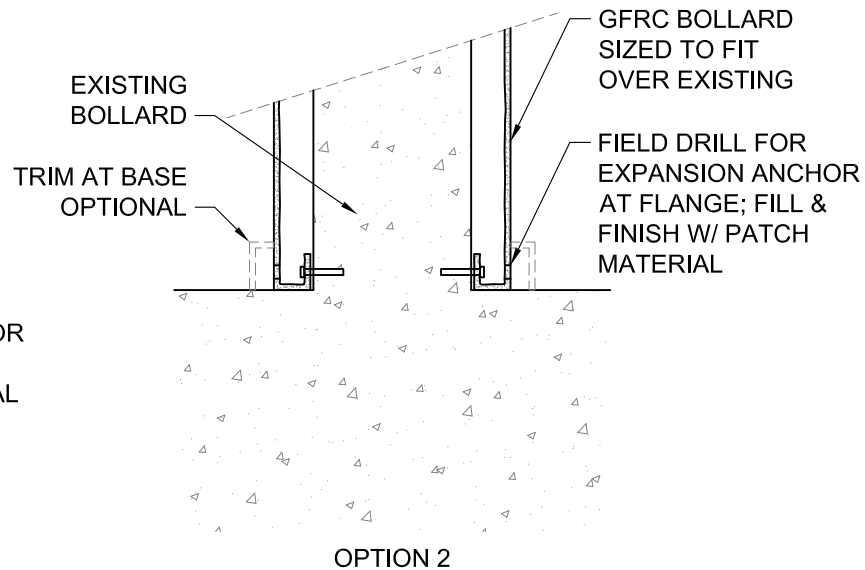
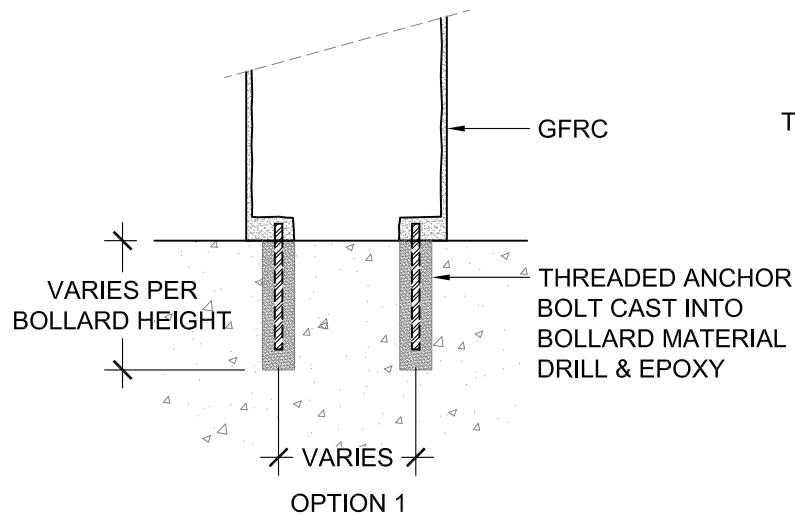
4400 ONEAL STREET, GREENVILLE, TX 75401 PHONE 903.454.9237 FAX 903.454.3642

TITLE: SBOP-005

TYPE DWG: BOLLARD

SCALE: AS NOTED

DWG. SHEET: **SBOP-005**



ALL RIGHTS RESERVED. THIS DRAWING IS PROPERTY OF THE 4 KIDS INC. AND MAY BE USED ONLY WHEN UTILIZING THE 4 KIDS PRODUCTS. THE 4 KIDS INC. GENERAL TERMS AND CONDITIONS APPLY AND ARE INCORPORATE HERE IN BY REFERENCE. THIS DETAIL MAY NOT APPLY TO ALL CONDITIONS AND CONSTRUCTION SITUATIONS.



**CUSTOM THEMED PLAYGROUNDS**

4400 ONEAL STREET, GREENVILLE, TX 75401 PHONE 903.454.9237 FAX 903.454.3642

TITLE: BOLLARD

TYPE DWG: MOUNTING

SCALE: AS NOTED

DWG. SHEET: **SBSP-M1**