



Knox Bollard Planter



The Knox Bollard Planter is more than a simple pot. While it will showcase the greenery that transforms any public space, it's also an effective bollard for outlining pedestrian areas, marking entrances, or prohibiting vehicles. At The 4 Kids we offer a fully customized experience; we'll build this bollard planter to the size -- big or small -- you need for your site, whether it's a school, restaurant, botanical garden, or municipal building. Our team has the know-how to construct it in nearly any color, and color matching with existing amenities is also available.

The 4 Kids was born out of a desire to create high quality, one-of-a-kind park shelters and play environments that effectively appeal to children's natural curiosity and imagination.

All of our products are custom designed to work perfectly with your unique playground. Let us know how we can meet your specific needs by contacting our knowledgeable design specialists, today.

Contact Us

Ordering from The 4 Kids is easy, initial consultation & quote is free. We can also provide you with design ideas and conceptual drawings. We want your whole experience with The 4 Kids to be smooth & rewarding.

4400 Oneal St. Greenville, TX 75401

903.454.9237

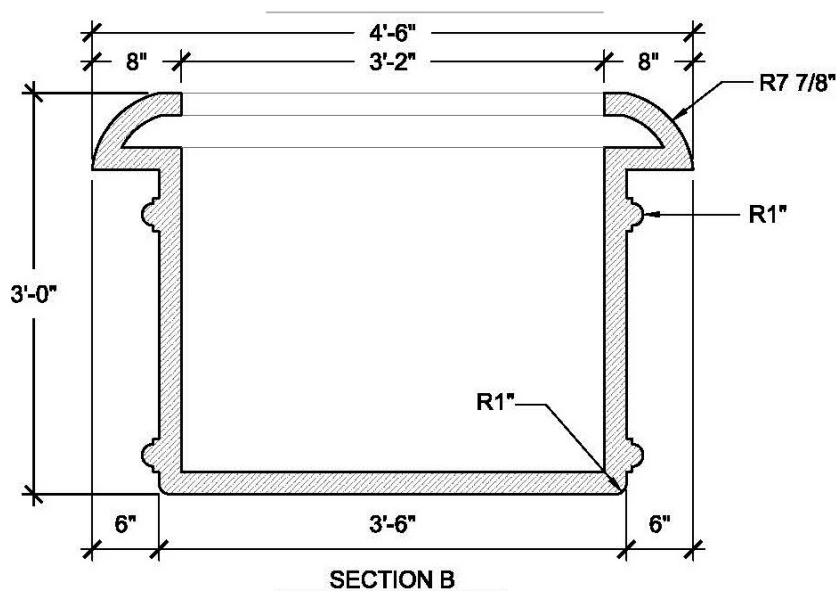
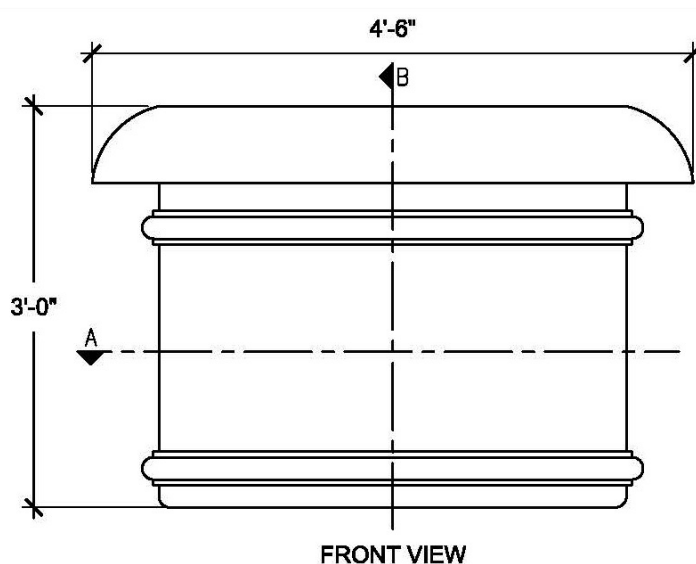
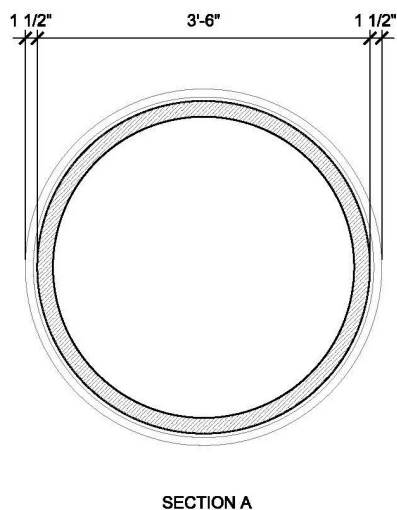
info@the4kids.com

www.the4kids.com

Let our team of experienced engineers and artists make your playground the destination for fun! We can create an exciting space where children's imaginations can run wild. A playscape where parents can feel secure and create lasting memories with their whole family.

Key Features

- Offered in several finishes, including stone and concrete
- Made in America
- Satisfaction guaranteed
- Courteous customer service on hand to help
- Free, no-obligation consultation and quote



Specifications

Age Range:
N/A

Dimensions:
42"L x 42"W x 36"H

Use Zone:
N/A

Mounting Options:
See Typical
Installation Details

SIZE CHART

NAME	HEIGHT	WIDTH
SBOP 139.1	2'-0"	3'-0"
SBOP 139.2	2'-6"	3'-9"
SBOP 139.3	3'-0"	4'-6"
SBOP 139.4	3'-6"	5'-3"
SBOP 139.5	4'-0"	6'-0"

Contact Us

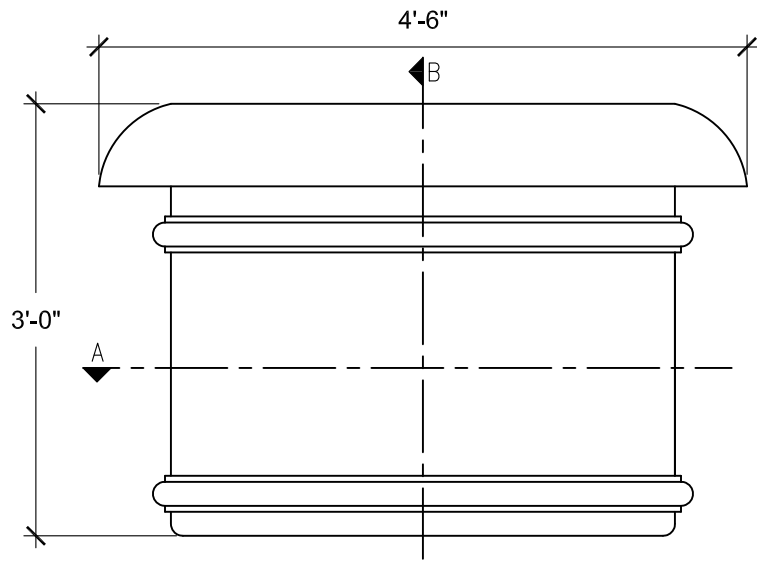
Ordering from The 4 Kids is easy, initial consultation & quote is free. We can also provide you with design ideas and conceptual drawings. We want your whole experience with The 4 Kids to be smooth & rewarding.

4400 Oneal St. Greenville, TX 75401

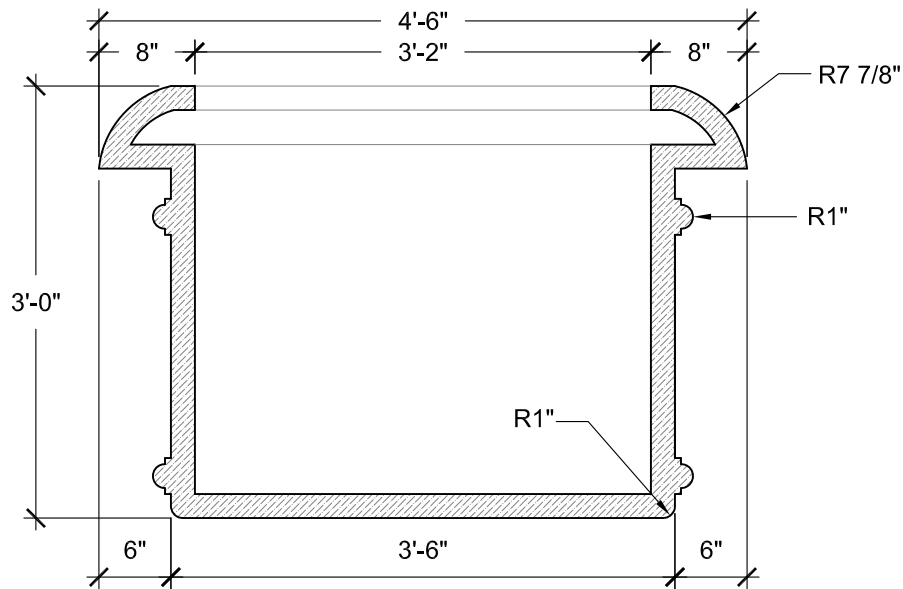
903.454.9237

info@the4kids.com

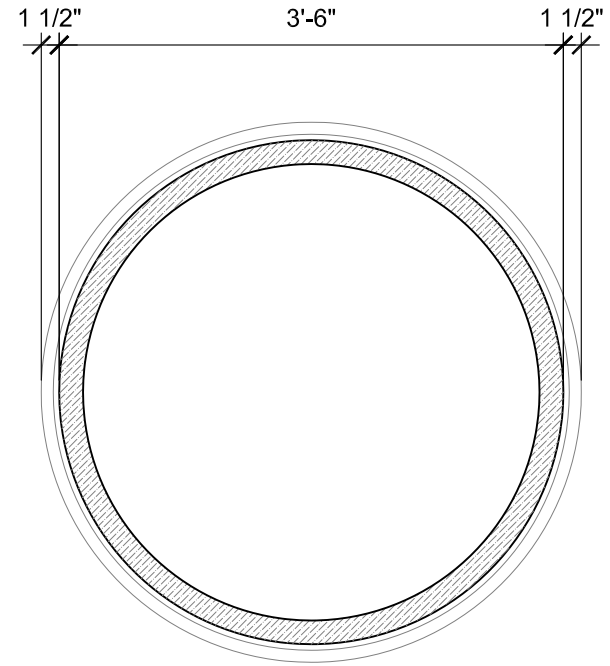
www.the4kids.com



FRONT VIEW
SCALE: 3/4" = 1'-0"



SECTION B
SCALE: 3/4" = 1'-0"



SECTION A
SCALE: 3/4" = 1'-0"

SIZE CHART

NAME	HEIGHT	WIDTH
SBOP 139.1	2'-0"	3'-0"
SBOP 139.2	2'-6"	3'-9"
SBOP 139.3	3'-0"	4'-6"
SBOP 139.4	3'-6"	5'-3"
SBOP 139.5	4'-0"	6'-0"

ALL RIGHTS RESERVED. THIS DRAWING IS PROPERTY OF THE 4 KIDS INC. AND MAY BE USED ONLY WHEN UTILIZING THE 4 KIDS PRODUCTS. THE 4 KIDS INC. GENERAL TERMS AND CONDITIONS APPLY AND ARE INCORPORATE HERE IN BY REFERENCE. THIS DETAIL MAY NOT APPLY TO ALL CONDITIONS AND CONSTRUCTION SITUATIONS.



CUSTOM THEMED PLAYGROUNDS

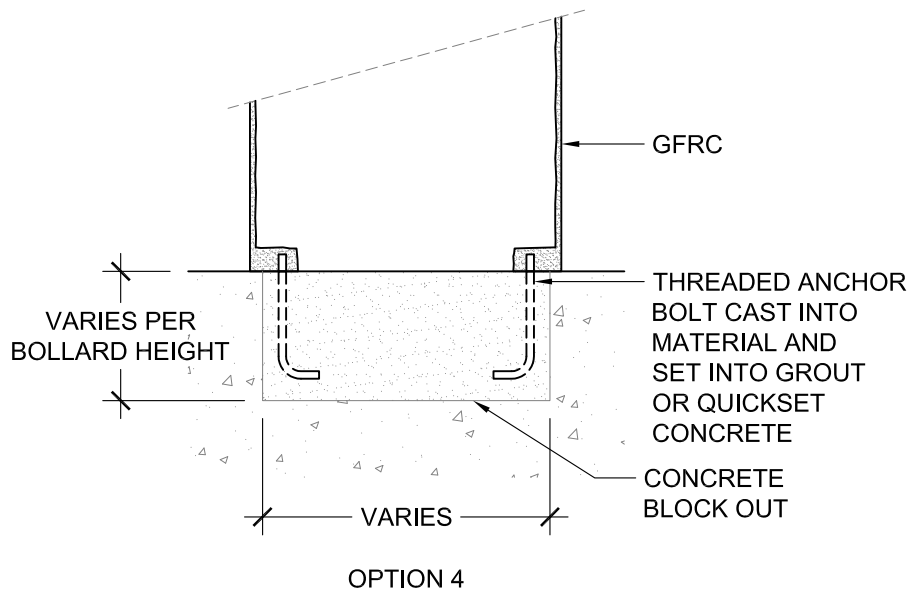
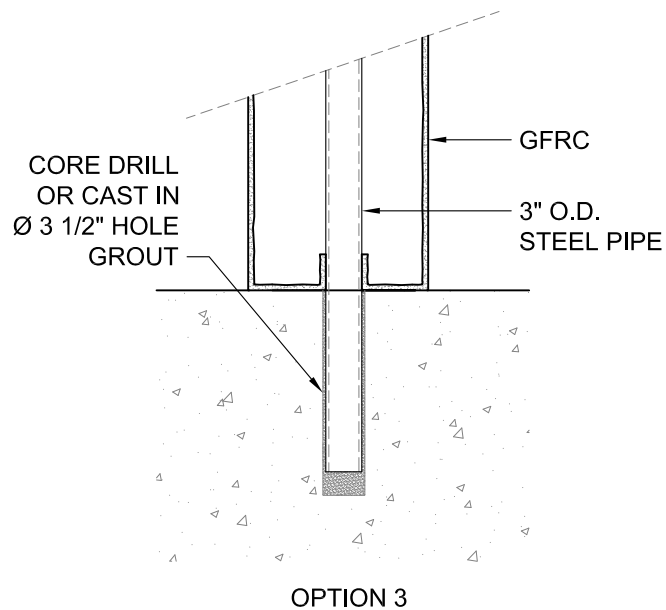
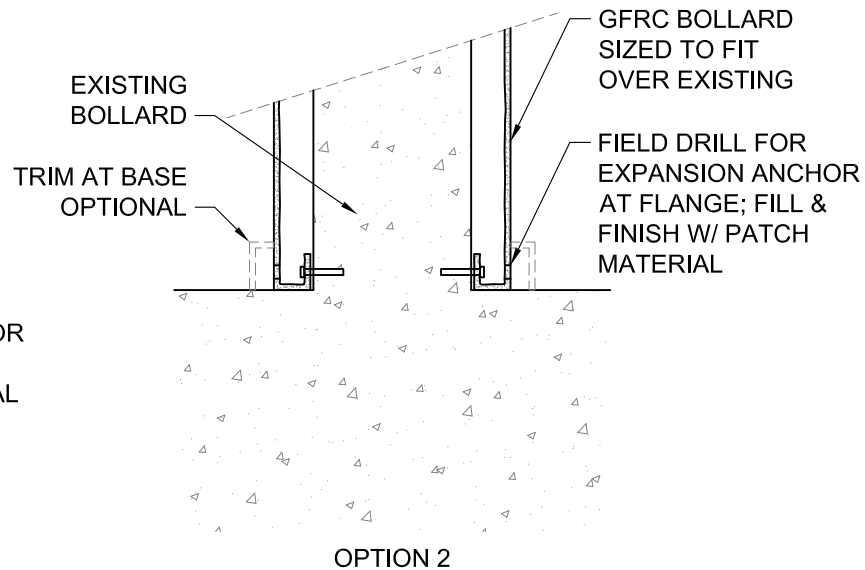
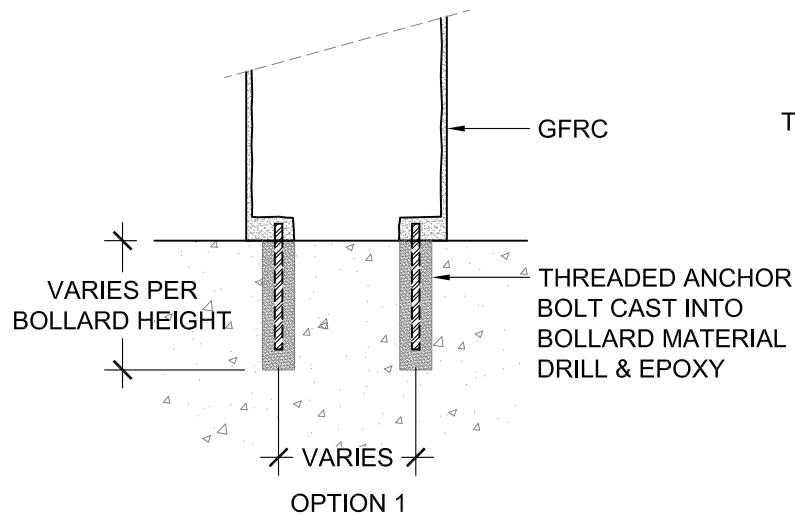
4400 ONEAL STREET, GREENVILLE, TX 75401 PHONE 903.454.9237 FAX 903.454.3642

TITLE: KNOX BOLLARD PLANTER

TYPE DWG: BOLLARD

SCALE: AS NOTED

DWG. SHEET: **SBSP-139**



ALL RIGHTS RESERVED. THIS DRAWING IS PROPERTY OF THE 4 KIDS INC. AND MAY BE USED ONLY WHEN UTILIZING THE 4 KIDS PRODUCTS. THE 4 KIDS INC. GENERAL TERMS AND CONDITIONS APPLY AND ARE INCORPORATE HERE IN BY REFERENCE. THIS DETAIL MAY NOT APPLY TO ALL CONDITIONS AND CONSTRUCTION SITUATIONS.



CUSTOM THEMED PLAYGROUNDS

4400 ONEAL STREET, GREENVILLE, TX 75401 PHONE 903.454.9237 FAX 903.454.3642

TITLE: BOLLARD

TYPE DWG: MOUNTING

SCALE: AS NOTED

DWG. SHEET: **SBSP-M1**