

# Large Swing Set



This large four seat swing set will compliment any park or playground. The post of this swing set is hand crafted from glass fiber reinforced concrete. This GFRC is revolutionary in playground equipment because it is weather resistant and rot resistant. This makes a playground much safer for children with traditional materials such as wood or metal maintenance and safety is compromised. The 4 Kids is committed to providing a safe and fun environment for discovery and play. Let The 4 Kids help you with your next project.

The 4 Kids was born out of a desire to create high quality, one-of-a-kind park shelters and play environments that effectively appeal to children's natural curiosity and imagination.

All of our products are custom designed to work perfectly with your unique playground. Let us know how we can meet your specific needs by contacting our knowledgeable design specialists, today.

## Contact Us

Ordering from The 4 Kids is easy, initial consultation & quote is free. We can also provide you with design ideas and conceptual drawings. We want your whole experience with The 4 Kids to be smooth & rewarding.

4400 Oneal St. Greenville, TX 75401

903.454.9237

[info@the4kids.com](mailto:info@the4kids.com)

[www.the4kids.com](http://www.the4kids.com)

## Why Use Us?

Let our team of experienced engineers and artists make your playground the destination for fun! We can create an exciting space where children's imaginations can run wild. A playscape where parents can feel secure and create lasting memories with their whole family.

## Key Features

- Perfect for nature themed playscapes
- Hand crafted from environmentally safe materials
- Low maintenance
- Belt or Bucket swing options available

## Specifications

### Age Range:

2 - 12 years

### Dimensions:

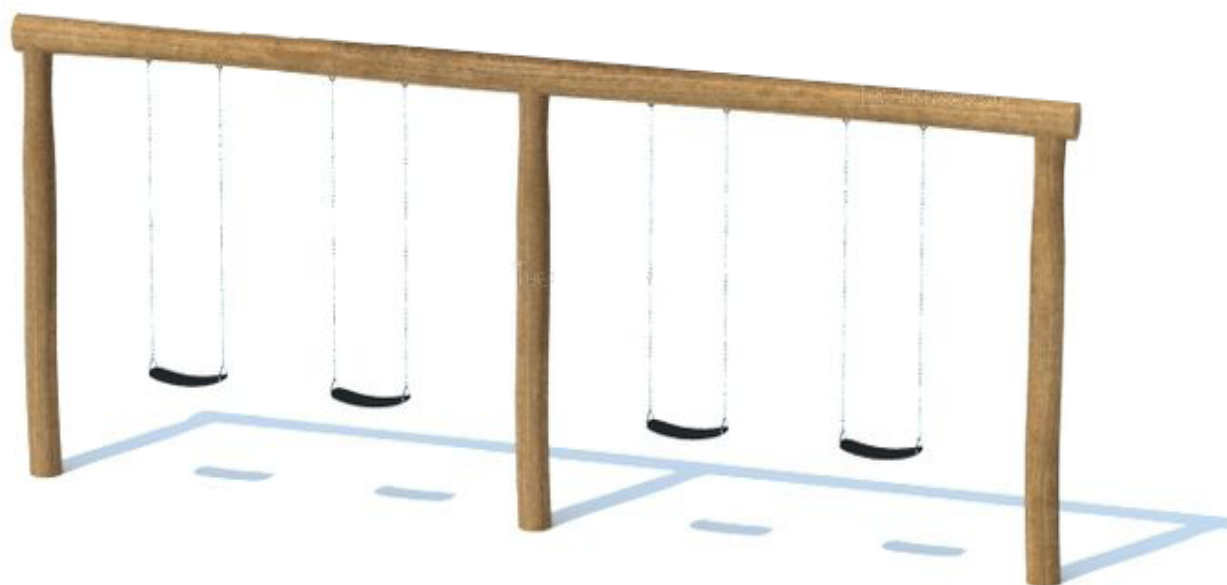
22'5"L x 7"W x 8'H

### Use Zone:

34'L x 32'W

### Mounting Options:

Installation Details



## Contact Us

Ordering from The 4 Kids is easy, initial consultation & quote is free. We can also provide you with design ideas and conceptual drawings. We want your whole experience with The 4 Kids to be smooth & rewarding.

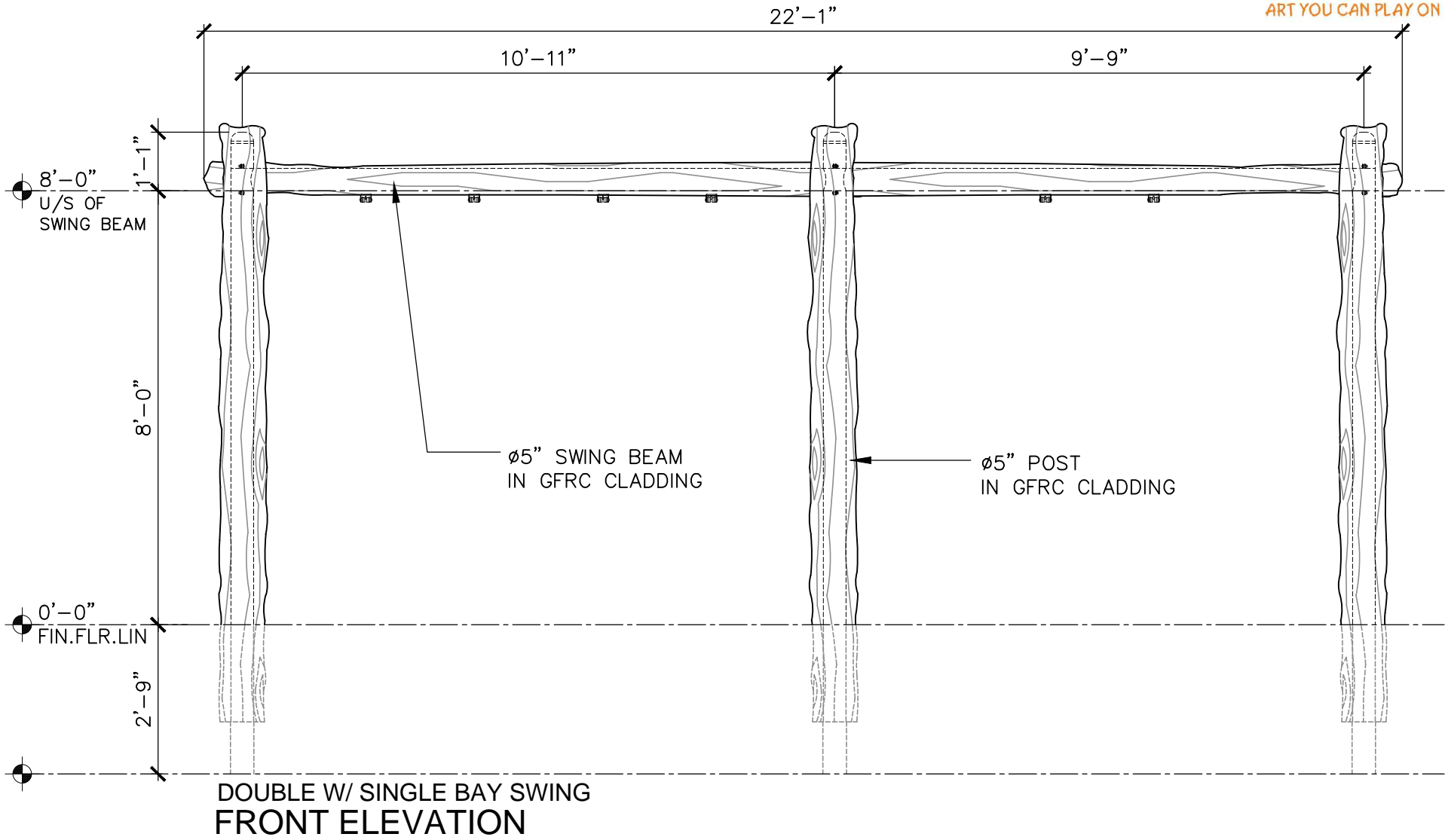
4400 Oneal St. Greenville, TX 75401

903.454.9237


[info@the4kids.com](mailto:info@the4kids.com)

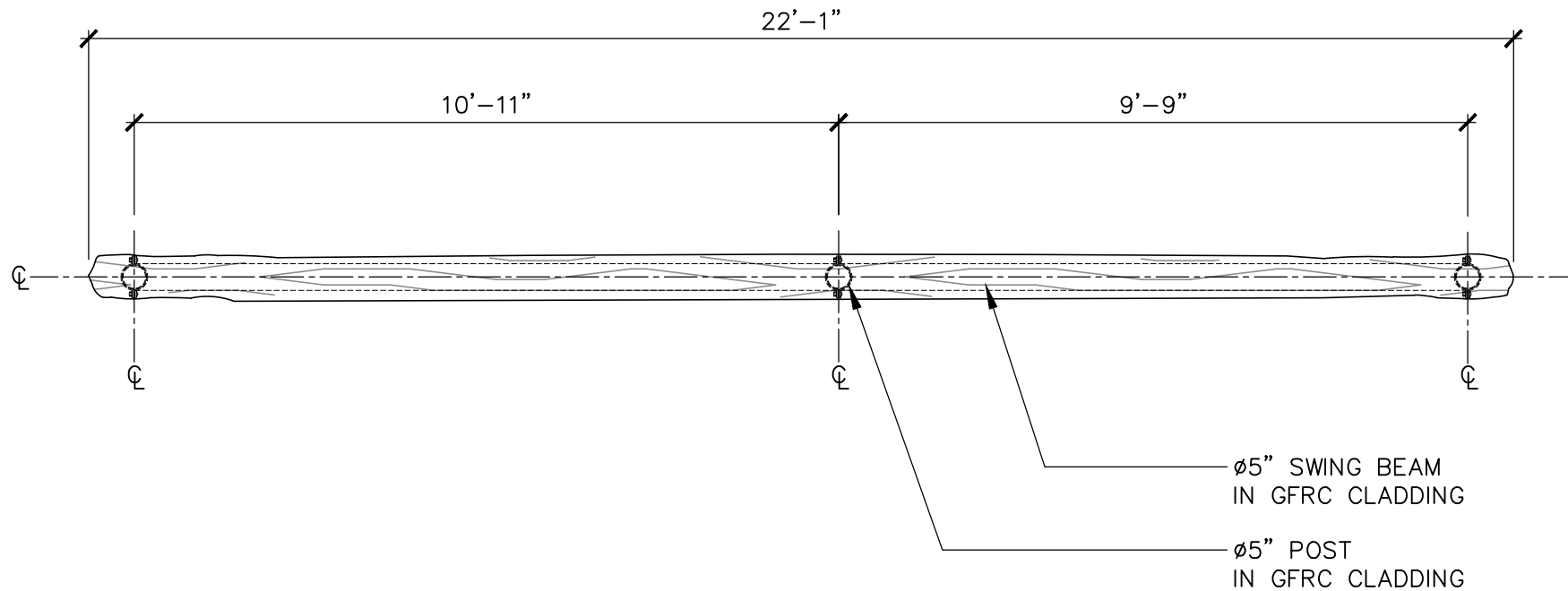
[www.the4kids.com](http://www.the4kids.com)

© 2014 The 4 Kids Inc. All rights reserved.




SCALE: 3/8" = 1'

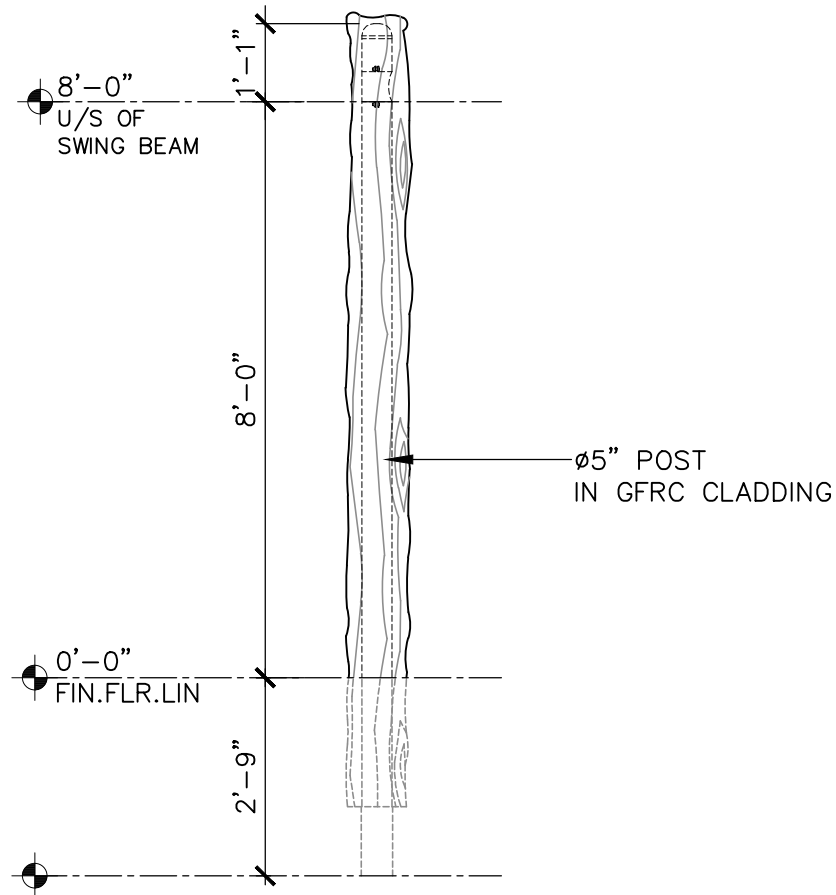
NAME: AVALON CENTRAL PARK		SKU #: NAT106	REFERENCES:	
 <b>CUSTOM THEMED PLAYGROUNDS</b> 4400 ONEAL STREET, GREENVILLE, TX 75402 PHONE 903.454.9237 FAX 903.454.3642	TYPE DWG: FABRICATION		DRAWN BY: AS	DATE: 16-01-30
	SCALE: AS NOTED		DWG. SHEET: AVCP.1.2	



DOUBLE W/ SINGLE BAY SWING  
**TOP VIEW**


SCALE: 3/8" = 1'

NAME: AVALON CENTRAL PARK		SKU #: NAT106	REFERENCES:	
 <b>CUSTOM THEMED PLAYGROUNDS</b> 4400 ONEAL STREET, GREENVILLE, TX 75402 PHONE 903.454.9237 FAX 903.454.3642	TYPE DWG: FABRICATION		DRAWN BY: AS	DATE: 16-01-30
	SCALE: AS NOTED		DWG. SHEET: AVCP.1.1	



**DOUBLE W/ SINGLE BAY SWING  
LEFT SIDE ELEVATION**

SCALE: 3/8" = 1'

NAME: AVALON CENTRAL PARK	SKU #: NAT106	REFERENCES:	
 <b>CUSTOM THEMED PLAYGROUNDS</b> 4400 ONEAL STREET, GREENVILLE, TX 75402 PHONE 903.454.9237 FAX 903.454.3642		TYPE DWG: FABRICATION	DRAWN BY: AS DATE: 16-01-30
		SCALE: AS NOTED	DWG. SHEET: AVCP.1.3