

# Large Swing Set



This large four seat swing set will compliment any park or playground. The post of this swing set is hand crafted from glass fiber reinforced concrete. This GFRC is revolutionary in playground equipment because it is weather resistant and rot resistant. This makes a playground much safer for children with traditional materials such as wood or metal maintenance and safety is compromised. The 4 Kids is committed to providing a safe and fun environment for discovery and play. Let The 4 Kids help you with your next project.

The 4 Kids was born out of a desire to create high quality, one-of-a-kind park shelters and play environments that effectively appeal to children's natural curiosity and imagination.

All of our products are custom designed to work perfectly with your unique playground. Let us know how we can meet your specific needs by contacting our knowledgeable design specialists, today.

## Contact Us

Ordering from The 4 Kids is easy, initial consultation & quote is free.  
We can also provide you with design ideas and conceptual drawings.  
We want your whole experience with The 4 Kids to be smooth & rewarding.

4400 Oneal St. Greenville, TX 75401

903.454.9237

[info@the4kids.com](mailto:info@the4kids.com)

[www.the4kids.com](http://www.the4kids.com)

## Why Use Us?

Let our team of experienced engineers and artists make your playground the destination for fun! We can create an exciting space where children's imaginations can run wild. A playscape where parents can feel secure and create lasting memories with their whole family.

## Key Features

- Design consultation
- Largest manufacturer of themed play equipment in the US
- Free quote
- Low maintenance

## Specifications

### Age Range:

N/A

### Dimensions:

20' x 1' x 8'

### Play Area:

N/A

### Mounting Options:

See Typical

Installation Details



## Contact Us

Ordering from The 4 Kids is easy, initial consultation & quote is free. We can also provide you with design ideas and conceptual drawings. We want your whole experience with The 4 Kids to be smooth & rewarding.

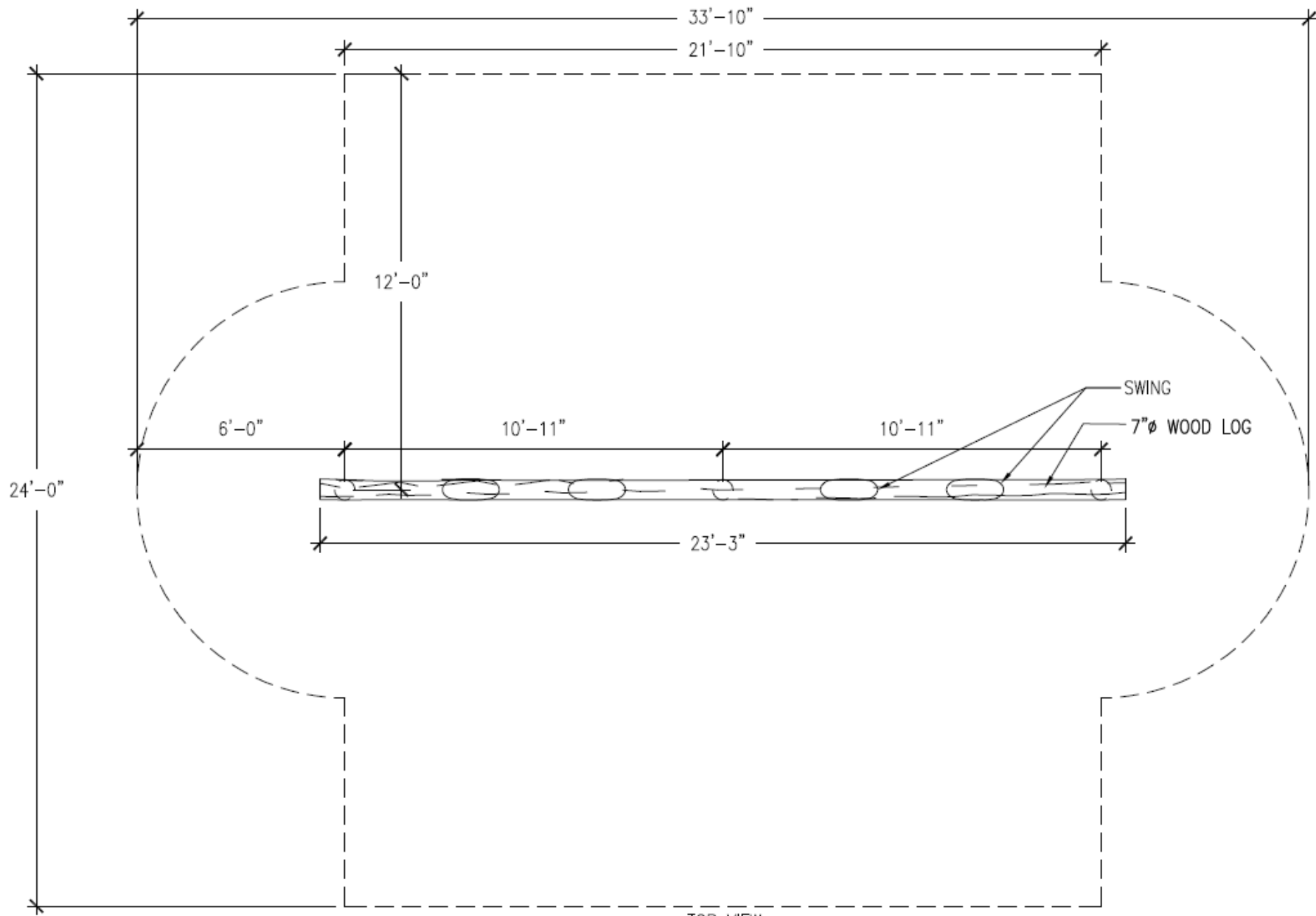
4400 Oneal St. Greenville, TX 75401

903.454.9237

info@the4kids.com

www.the4kids.com

© 2014 The 4 Kids Inc. All rights reserved.



ALL RIGHTS RESERVED, THIS DRAWING IS PROPERTY OF STROMBERG ARCHITECTURAL PRODUCTS INC, AND MAY BE USED ONLY WHEN UTILIZING STROMBERG ARCHITECTURAL PRODUCTS. STROMBERG ARCHITECTURAL PRODUCTS INC, GENERAL TERMS AND CONDITIONS APPLY AND ARE INCORPORATE HERE IN BY REFERENCE. THIS DETAIL MAY NOT APPLY TO ALL CONDITIONS AND CONSTRUCTION SITUATIONS.



**CUSTOM THEMED PLAYGROUNDS**

4400 ONEAL STREET, GREENVILLE, TX 75401 PHONE 903.454.9237 FAX 903.454.3642

TITLE: 10' DOUBLE BAY

TYPE DWG: DETAIL

SCALE: AS NOTED

DWG. SHEET: **PLW.1.9.F.1.R0**