



Lawrence Bollard Planter



The graceful lines of the Lawrence Bollard Planter are a beautiful way to add greenery and decorative accents to arboretums, botanical gardens, college campuses, and residential or office buildings. The 4 Kids engineered this planter bollard to be much tougher than its curvy shape implies. Manufactured with glass fiber reinforced material, it's strong enough to resist impact, providing an extra cushion of safety for parked vehicles, pedestrians, or entrances. This security planter won't corrode, and it will maintain its finish for many years. The Lawrence Bollard Planter is low maintenance and easy to install.

The 4 Kids was born out of a desire to create high quality, one-of-a-kind park shelters and play environments that effectively appeal to children's natural curiosity and imagination.

All of our products are custom designed to work perfectly with your unique playground. Let us know how we can meet your specific needs by contacting our knowledgeable design specialists, today.

Contact Us

Ordering from The 4 Kids is easy, initial consultation & quote is free.
We can also provide you with design ideas and conceptual drawings.
We want your whole experience with The 4 Kids to be smooth & rewarding.

4400 Oneal St. Greenville, TX 75401

903.454.9237

info@the4kids.com

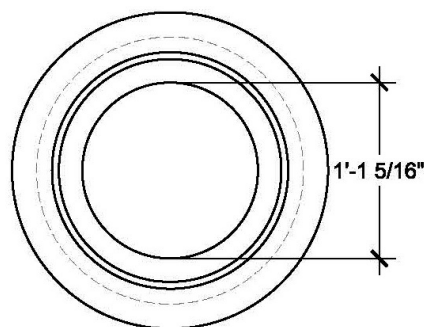
www.the4kids.com

Why Use Us?

Let our team of experienced engineers and artists make your playground the destination for fun! We can create an exciting space where children's imaginations can run wild. A playscape where parents can feel secure and create lasting memories with their whole family.

Key Features

- Size will be fully customized to meet your needs
- Available in a range of colors and finishes, including stone (shown) and concrete
- Site amenity team ready to answer your questions
- Free, no-hassle quote



TOP VIEW

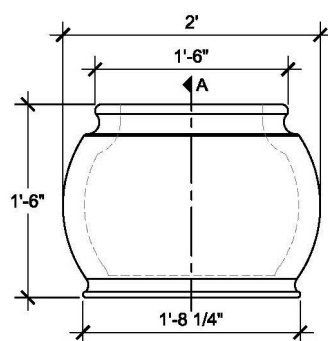
Specifications

Age Range:
N/A

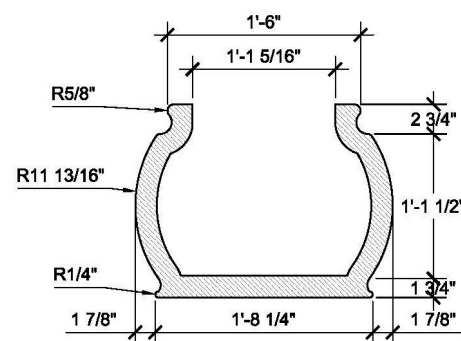
Dimensions:
24\"L x 24\"W x 18\"H

Use Zone:
N/A

Mounting Options:
See Typical
Installation Details



FRONT VIEW



SECTION A

SIZE CHART

NAME	HEIGHT	WIDTH
SBOP 140.1	1'-6"	2'-0"
SBOP 140.2	2'-0"	2'-8"
SBOP 140.3	2'-6"	3'-4"
SBOP 140.4	3'-0"	4'-0"
SBOP 140.5	3'-6"	4'-8"

Contact Us

Ordering from The 4 Kids is easy, initial consultation & quote is free. We can also provide you with design ideas and conceptual drawings. We want your whole experience with The 4 Kids to be smooth & rewarding.

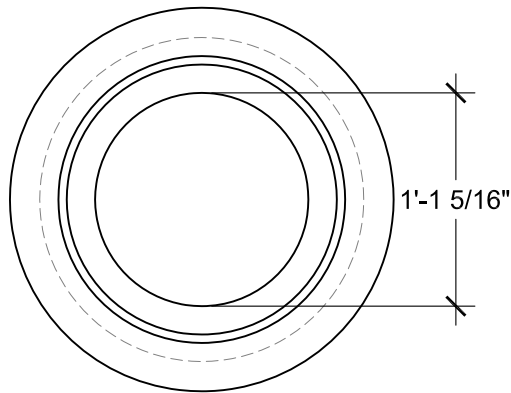
4400 Oneal St. Greenville, TX 75401

903.454.9237

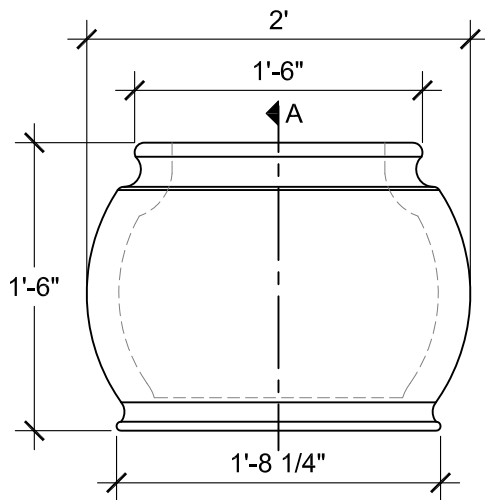
info@the4kids.com

www.the4kids.com

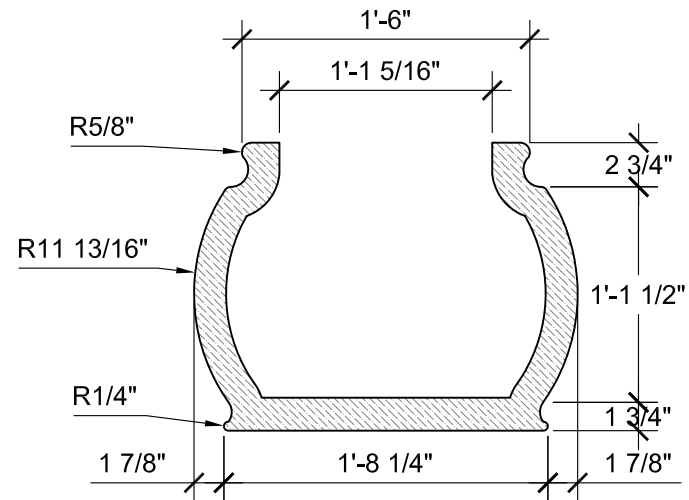
© 2014 The 4 Kids Inc. All rights reserved.



TOP VIEW
SCALE: 1"= 1'-0"



FRONT VIEW
SCALE: 1"= 1'-0"



SECTION A
SCALE: 1"= 1'-0"

SIZE CHART		
NAME	HEIGHT	WIDTH
SBOP 140.1	1'-6"	2'-0"
SBOP 140.2	2'-0"	2'-8"
SBOP 140.3	2'-6"	3'-4"
SBOP 140.4	3'-0"	4'-0"
SBOP 140.5	3'-6"	4'-8"

ALL RIGHTS RESERVED. THIS DRAWING IS PROPERTY OF THE 4 KIDS INC. AND MAY BE USED ONLY WHEN UTILIZING THE 4 KIDS PRODUCTS. THE 4 KIDS INC. GENERAL TERMS AND CONDITIONS APPLY AND ARE INCORPORATE HERE IN BY REFERENCE. THIS DETAIL MAY NOT APPLY TO ALL CONDITIONS AND CONSTRUCTION SITUATIONS.



CUSTOM THEMED PLAYGROUNDS

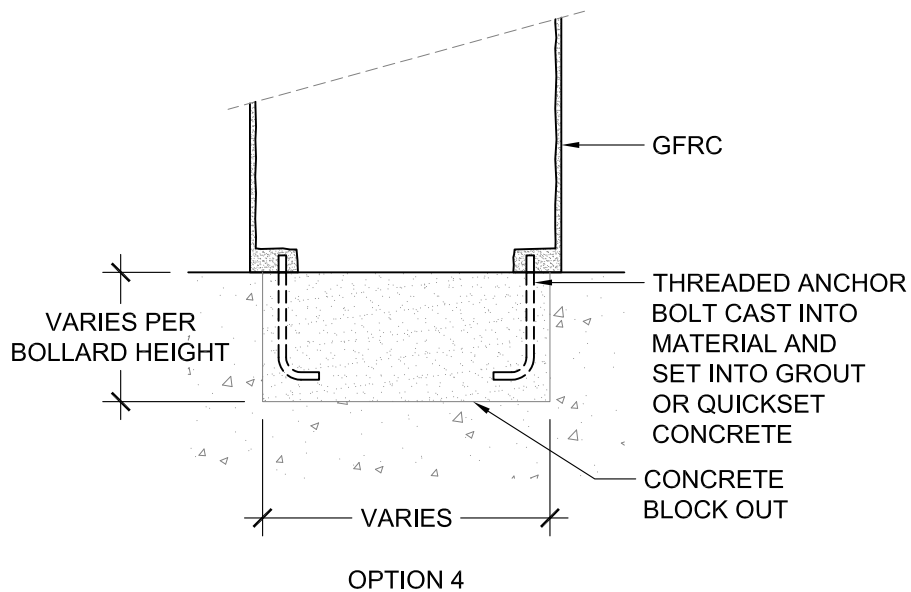
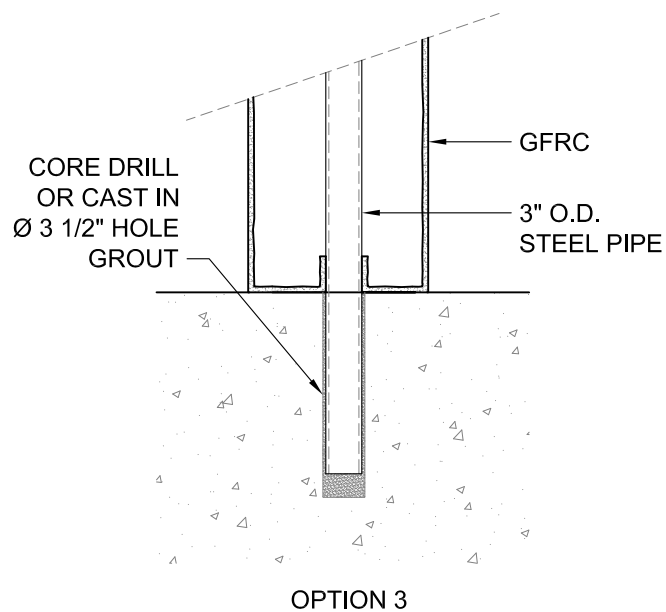
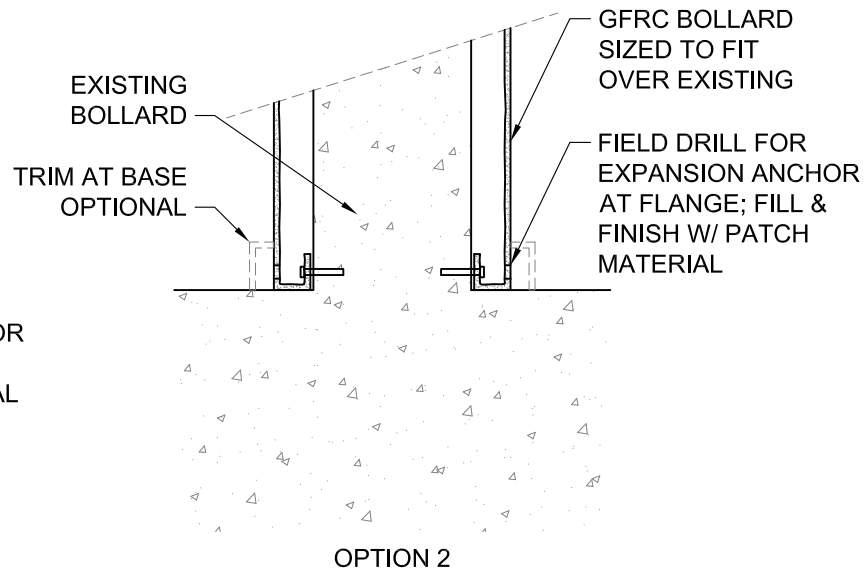
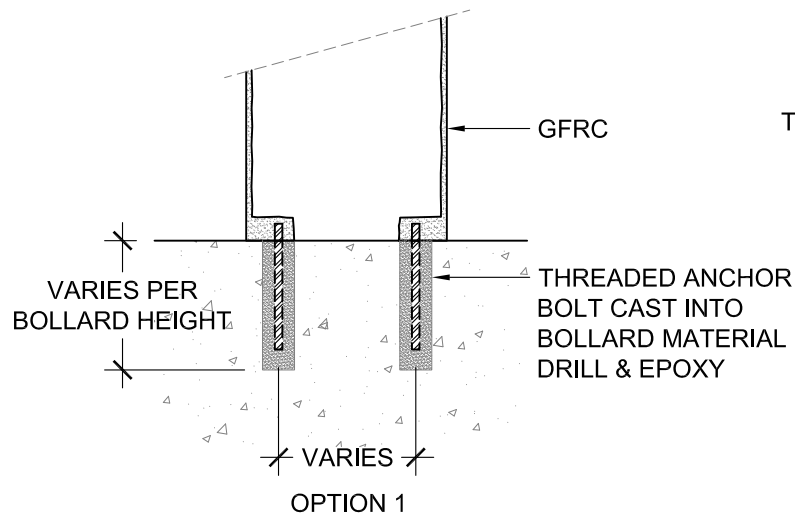
4400 ONEAL STREET, GREENVILLE, TX 75401 PHONE 903.454.9237 FAX 903.454.3642

TITLE: LAWRENCE BOLLARD PLANTER

TYPE DWG: BOLLARD

SCALE: AS NOTED

DWG. SHEET: **SBOP-140**



ALL RIGHTS RESERVED. THIS DRAWING IS PROPERTY OF THE 4 KIDS INC. AND MAY BE USED ONLY WHEN UTILIZING THE 4 KIDS PRODUCTS. THE 4 KIDS INC. GENERAL TERMS AND CONDITIONS APPLY AND ARE INCORPORATE HERE IN BY REFERENCE. THIS DETAIL MAY NOT APPLY TO ALL CONDITIONS AND CONSTRUCTION SITUATIONS.



CUSTOM THEMED PLAYGROUNDS

4400 ONEAL STREET, GREENVILLE, TX 75401 PHONE 903.454.9237 FAX 903.454.3642

TITLE: BOLLARD

TYPE DWG: MOUNTING

SCALE: AS NOTED

DWG. SHEET: **SBSP-M1**