



# Marion Bollard Planter

---

---



Create a memorable and comfortable public space by adding the Marion Bollard Planter to sites like residential or office buildings, campuses, venues, resorts, or museums. Our team constructs site amenities with materials like glass fiber reinforced concrete (GFRC), a strong composite that resists weather, corrosion, and impact. Yet its versatility allows us to mold it into beautiful shapes that add visual appeal to any property. Like the rest of the security posts and barriers in our extensive collection, the Marion is easy to install and available in many colors.

The 4 Kids was born out of a desire to create high quality, one-of-a-kind park shelters and play environments that effectively appeal to children's natural curiosity and imagination.

All of our products are custom designed to work perfectly with your unique playground. Let us know how we can meet your specific needs by contacting our knowledgeable design specialists, today.

## Contact Us

Ordering from The 4 Kids is easy, initial consultation & quote is free.  
We can also provide you with design ideas and conceptual drawings.  
We want your whole experience with The 4 Kids to be smooth & rewarding.

4400 Oneal St. Greenville, TX 75401

903.454.9237

[info@the4kids.com](mailto:info@the4kids.com)

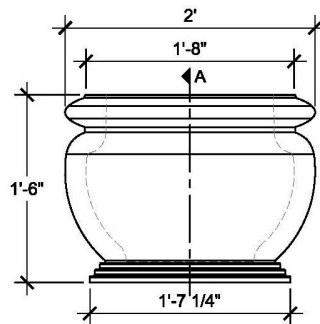
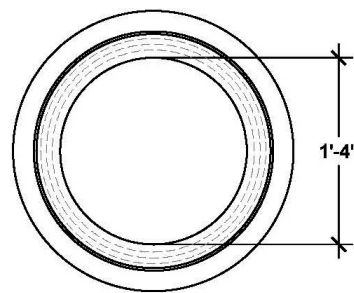
[www.the4kids.com](http://www.the4kids.com)

## Why Use Us?

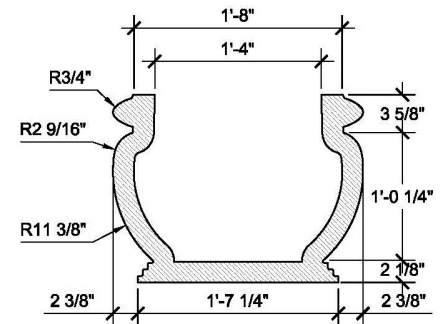
Let our team of experienced engineers and artists make your playground the destination for fun! We can create an exciting space where children's imaginations can run wild. A playscape where parents can feel secure and create lasting memories with their whole family.

## Key Features

- Finishes offered include concrete and stone (pictured)
- Expert design and build team with 30+ years of experience
- Free project quote
- Custom design available



FRONT VIEW



SECTION A

## Specifications

**Age Range:**  
N/A

**Dimensions:**  
24"D x 18"H

**Use Zone:**  
N/A

**Mounting Options:**  
See Typical  
Installation Details

## SIZE CHART

NAME	HEIGHT	WIDTH
SBOP 144.1	1'-6"	2'-0"
SBOP 144.2	2'-0"	2'-8"
SBOP 144.3	2'-6"	3'-4"
SBOP 144.4	3'-0"	4'-0"
SBOP 144.5	3'-6"	4'-8"

## Contact Us

Ordering from The 4 Kids is easy, initial consultation & quote is free. We can also provide you with design ideas and conceptual drawings. We want your whole experience with The 4 Kids to be smooth & rewarding.

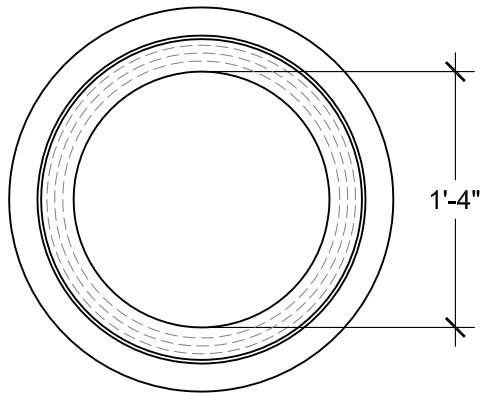
4400 Oneal St. Greenville, TX 75401

903.454.9237

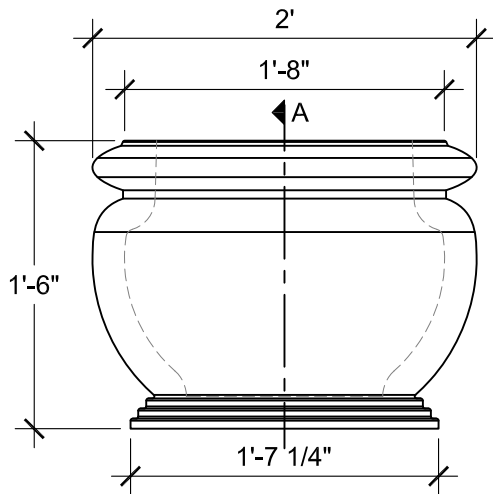
info@the4kids.com

www.the4kids.com

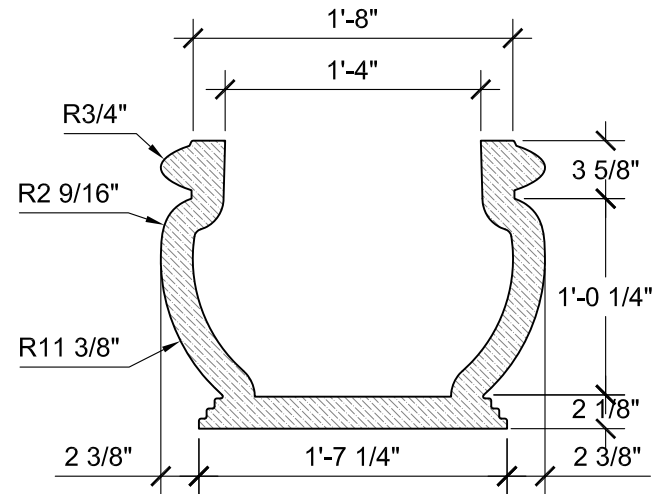
© 2014 The 4 Kids Inc. All rights reserved.



TOP VIEW  
SCALE: 1"= 1'-0"



FRONT VIEW  
SCALE: 1"= 1'-0"



SECTION A  
SCALE: 1"= 1'-0"

SIZE CHART		
NAME	HEIGHT	WIDTH
SBOP 144.1	1'-6"	2'-0"
SBOP 144.2	2'-0"	2'-8"
SBOP 144.3	2'-6"	3'-4"
SBOP 144.4	3'-0"	4'-0"
SBOP 144.5	3'-6"	4'-8"

ALL RIGHTS RESERVED. THIS DRAWING IS PROPERTY OF THE 4 KIDS INC. AND MAY BE USED ONLY WHEN UTILIZING THE 4 KIDS PRODUCTS. THE 4 KIDS INC. GENERAL TERMS AND CONDITIONS APPLY AND ARE INCORPORATE HERE IN BY REFERENCE. THIS DETAIL MAY NOT APPLY TO ALL CONDITIONS AND CONSTRUCTION SITUATIONS.



**CUSTOM THEMED PLAYGROUNDS**

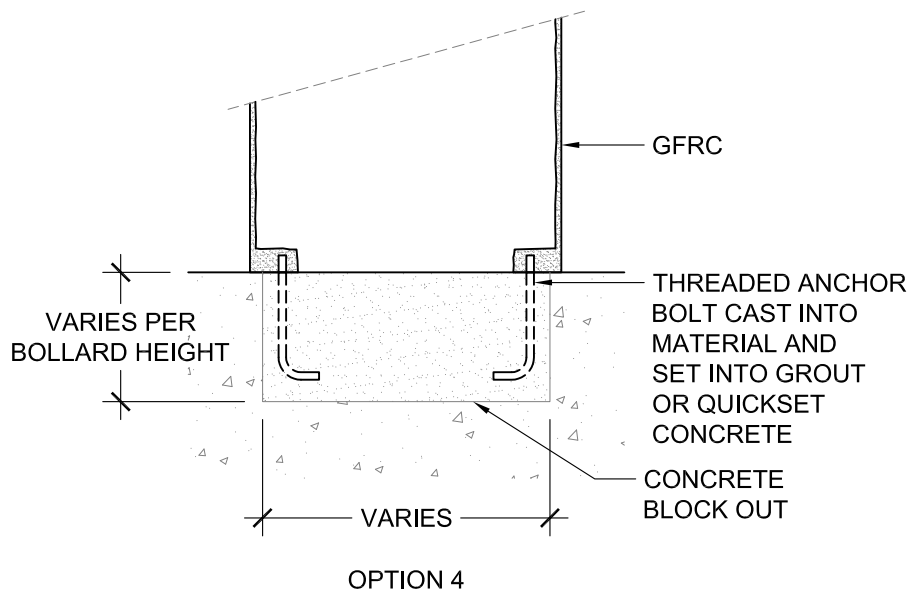
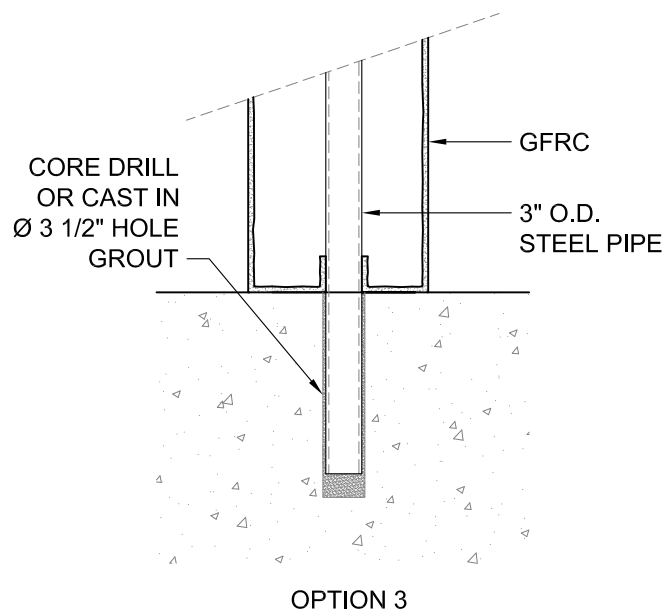
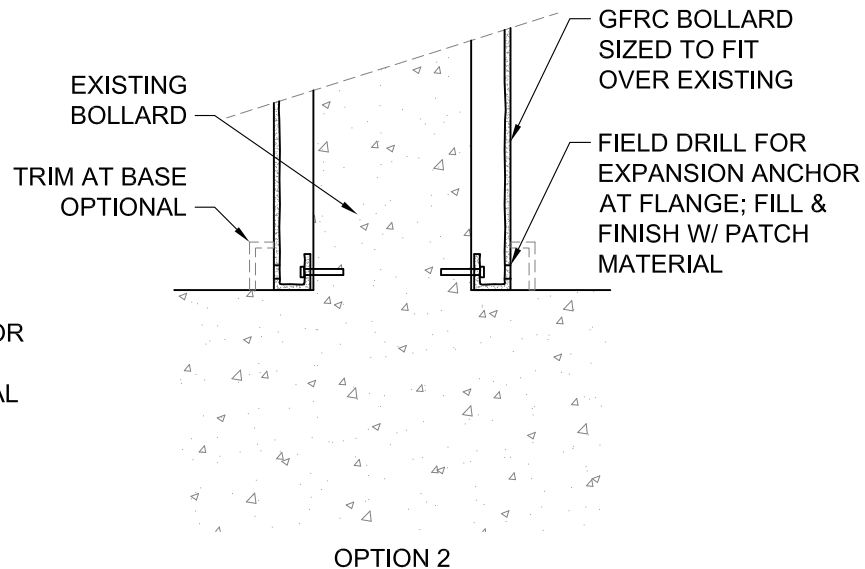
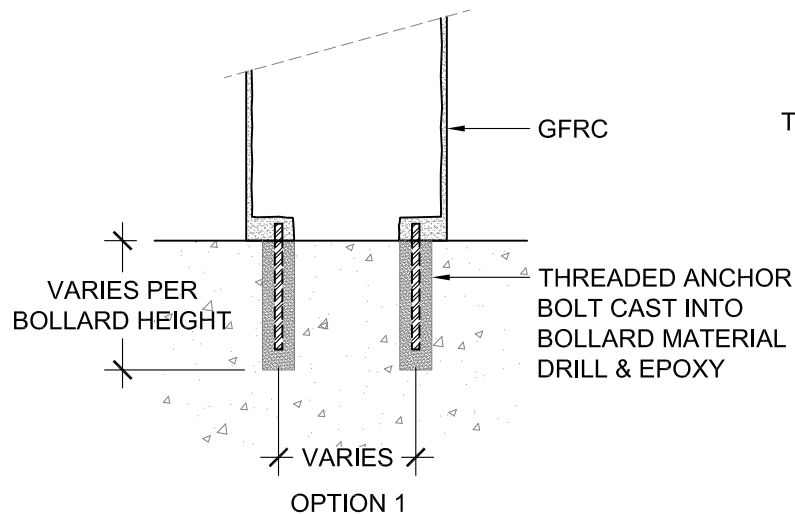
4400 ONEAL STREET, GREENVILLE, TX 75401 PHONE 903.454.9237 FAX 903.454.3642

TITLE: MARION BOLLARD PLANTER

TYPE DWG: BOLLARD

SCALE: AS NOTED

DWG. SHEET: **SBOP-144**



ALL RIGHTS RESERVED. THIS DRAWING IS PROPERTY OF THE 4 KIDS INC. AND MAY BE USED ONLY WHEN UTILIZING THE 4 KIDS PRODUCTS. THE 4 KIDS INC. GENERAL TERMS AND CONDITIONS APPLY AND ARE INCORPORATE HERE IN BY REFERENCE. THIS DETAIL MAY NOT APPLY TO ALL CONDITIONS AND CONSTRUCTION SITUATIONS.



**CUSTOM THEMED PLAYGROUNDS**

4400 ONEAL STREET, GREENVILLE, TX 75401 PHONE 903.454.9237 FAX 903.454.3642

TITLE: BOLLARD

TYPE DWG: MOUNTING

SCALE: AS NOTED

DWG. SHEET: **SBSP-M1**