



Mars Post Topper



The draw of deep space, rocket travel and the solar system is exciting and powerful in imaginative children. As the theme of parks, science centers, planetariums and aeronautical museums, it's a popular concept, drawing crowds of space aficionados of all ages. As part of a successful décor plan for these venues, The 4 Kids Mars Sphere Post Topper is a must, adding a fun and functional feature to indoor or outdoor areas, along walkways, at entrances and exits or even supporting signage. As the crowning touch on a collection of plain utility posts, Mars is a delightful décor accent that turns these useful but rather boring tools into must have decorating staples. The height of the planet art is set at the preference of park planners, who are able to choose the size of the post. As part of a collection of planets or as a stand-alone work of art, The 4 Kids Mars Sphere Post Topper is tough and durable, with a weather resistant finish that withstands the elements for long years of good looks and high quality service in every venue.

The 4 Kids was born out of a desire to create high quality, one-of-a-kind park shelters and play environments that effectively appeal to children's natural curiosity and imagination.

All of our products are custom designed to work perfectly with your unique playground. Let us know how we can meet your specific needs by contacting our knowledgeable design specialists, today.

Contact Us

Ordering from The 4 Kids is easy, initial consultation & quote is free.
We can also provide you with design ideas and conceptual drawings.
We want your whole experience with The 4 Kids to be smooth & rewarding.

4400 Oneal St. Greenville, TX 75401

903.454.9237

info@the4kids.com

www.the4kids.com

Why Use Us?

Let our team of experienced engineers and artists make your playground the destination for fun! We can create an exciting space where children's imaginations can run wild. A playscape where parents can feel secure and create lasting memories with their whole family.

Key Features

- Custom designs from The 4 Kids
- Talented playground artists
- Highest quality, low maintenance
- Eye catching design is perfect
- For theme parks, science centers and museum use

Specifications

Age Range:
N/A

Dimensions:
24" dia x Post
Height

Use Zone:
N/A

Mounting Options:
See Typical
Installation Details



Contact Us

Ordering from The 4 Kids is easy, initial consultation & quote is free. We can also provide you with design ideas and conceptual drawings. We want your whole experience with The 4 Kids to be smooth & rewarding.

4400 Oneal St. Greenville, TX 75401

903.454.9237

info@the4kids.com

www.the4kids.com

© 2014 The 4 Kids Inc. All rights reserved.

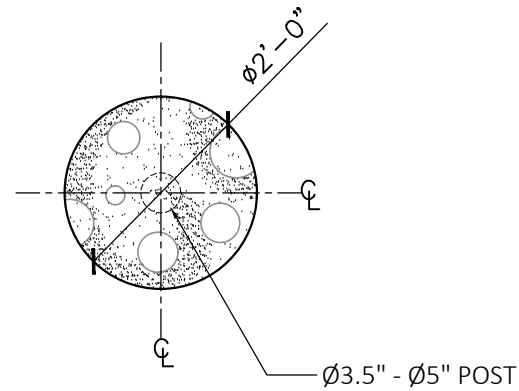
MARS POST TOPPER

24" X 24" X POST HEIGHT



PRODUCT VIEW

SCALE: NTS



TOP VIEW

SCALE: 1/2" = 1'

ALL RIGHTS RESERVED. THIS DRAWING IS PROPERTY OF THE 4 KIDS INC. AND MAY BE USED ONLY WHEN UTILIZING THE 4 KIDS INC. GENERAL TERMS AND CONDITIONS APPLY AND ARE INCORPORATED HERE IN BY REFERENCE. THIS DETAIL MAY NOT APPLY TO ALL CONDITIONS AND CONSTRUCTION SITUATIONS.

ITEM ID: POS138

MATERIAL:

MOLD

APX. TTL. WEIGHT

TOTAL # OF ITEM:

- LBS. [- KG]

TOTAL SQ. FEET: - [- sqm.]

PROJECT:

TITLE: MARS POST TOPPER

REFERENCES:

COLOR & PER APPROVED SAMPLE
TEXTURE: PER APPROVED SAMPLE



CUSTOM THEMED PLAYGROUNDS

4400 ONEAL STREET, GREENVILLE, TX 75402 PHONE 903.454.9237 FAX 903.454.3642

TYPE DWG:

DRAWN BY: ABS

DATE:

SCALE: AS NOTED

SHEET:

DWG. SHEET: