

# Monroe Bollard Planter

---

---



Add dual - function, high-quality site amenities with the Monroe Bollard Planter, which offers the simplicity you need to showcase people-pleasing greenery. Our team builds this with glass fiber reinforced concrete (GFRC), a composite that offers many years of service while maintaining its attractive finish. It's sturdy and resists both weather and impact. At The 4 Kids, we provide a full custom experience, allowing you to choose the size, color, and finish (like the stone finish shown here). Need to match colors with an existing building or amenity? We can do that too!

The 4 Kids was born out of a desire to create high quality, one-of-a-kind park shelters and play environments that effectively appeal to children's natural curiosity and imagination.

All of our products are custom designed to work perfectly with your unique playground. Let us know how we can meet your specific needs by contacting our knowledgeable design specialists, today.

## Contact Us

Ordering from The 4 Kids is easy, initial consultation & quote is free.  
We can also provide you with design ideas and conceptual drawings.  
We want your whole experience with The 4 Kids to be smooth & rewarding.

4400 Oneal St. Greenville, TX 75401

903.454.9237

[info@the4kids.com](mailto:info@the4kids.com)

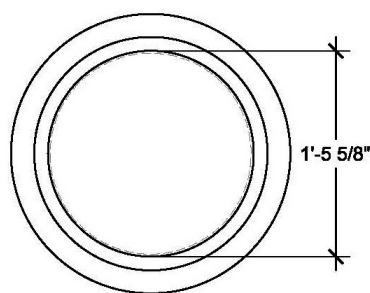
[www.the4kids.com](http://www.the4kids.com)

## Why Use Us?

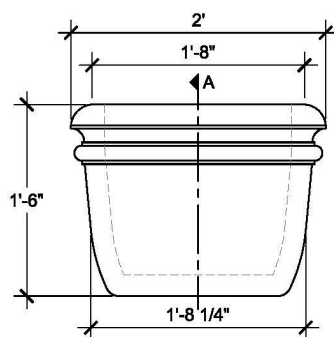
Let our team of experienced engineers and artists make your playground the destination for fun! We can create an exciting space where children's imaginations can run wild. A playscape where parents can feel secure and create lasting memories with their whole family.

## Key Features

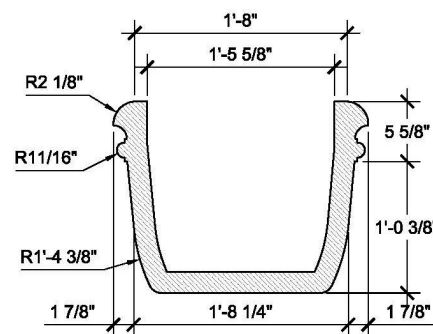
- Easy to install
- Perfect for botanical gardens, campuses, schools, and more
- Courteous team on hand to help
- Design assistance, CAD details, and material samples available
- Free, no-hassle quote



TOP VIEW



FRONT VIEW



SECTION A

## Specifications

**Age Range:**  
N/A

**Dimensions:**  
24"D x 18"H

**Use Zone:**  
N/A

**Mounting Options:**  
See Typical  
Installation Details

## SIZE CHART

NAME	HEIGHT	WIDTH
SBOP 148.1	1'-6"	2'-0"
SBOP 148.2	2'-0"	2'-8"
SBOP 148.3	2'-6"	3'-4"
SBOP 148.4	3'-0"	4'-0"
SBOP 148.5	3'-6"	4'-8"

## Contact Us

Ordering from The 4 Kids is easy, initial consultation & quote is free. We can also provide you with design ideas and conceptual drawings. We want your whole experience with The 4 Kids to be smooth & rewarding.

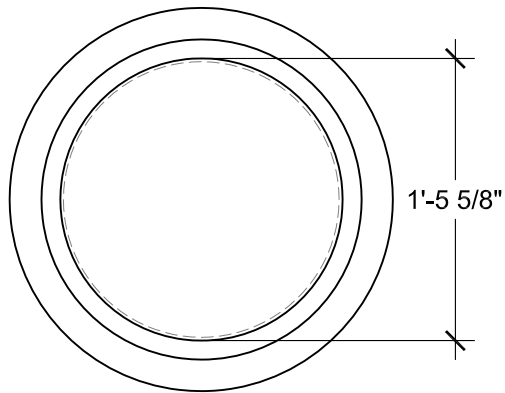
4400 Oneal St. Greenville, TX 75401

903.454.9237

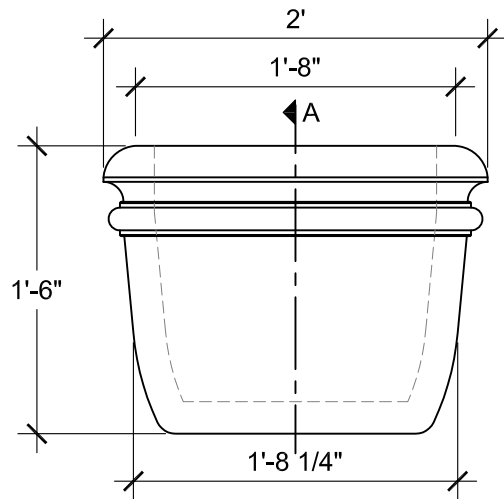
info@the4kids.com

www.the4kids.com

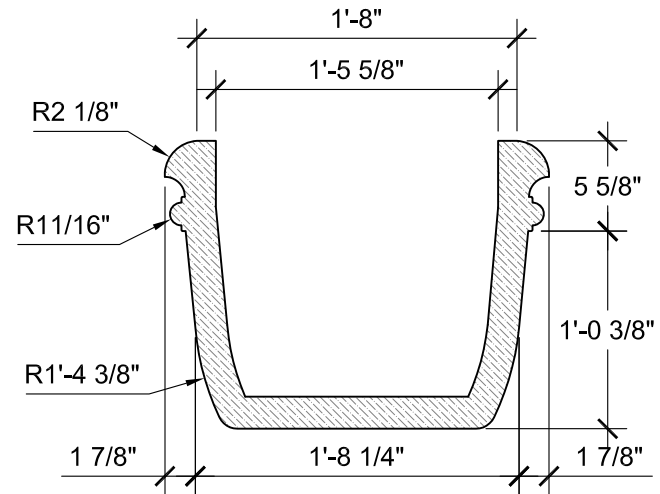
© 2014 The 4 Kids Inc. All rights reserved.



TOP VIEW  
SCALE: 1"= 1'-0"



FRONT VIEW  
SCALE: 1"= 1'-0"



SECTION A  
SCALE: 1"= 1'-0"

SIZE CHART		
NAME	HEIGHT	WIDTH
SBOP 148.1	1'-6"	2'-0"
SBOP 148.2	2'-0"	2'-8"
SBOP 148.3	2'-6"	3'-4"
SBOP 148.4	3'-0"	4'-0"
SBOP 148.5	3'-6"	4'-8"

ALL RIGHTS RESERVED. THIS DRAWING IS PROPERTY OF THE 4 KIDS INC. AND MAY BE USED ONLY WHEN UTILIZING THE 4 KIDS PRODUCTS. THE 4 KIDS INC. GENERAL TERMS AND CONDITIONS APPLY AND ARE INCORPORATE HERE IN BY REFERENCE. THIS DETAIL MAY NOT APPLY TO ALL CONDITIONS AND CONSTRUCTION SITUATIONS.



**CUSTOM THEMED PLAYGROUNDS**

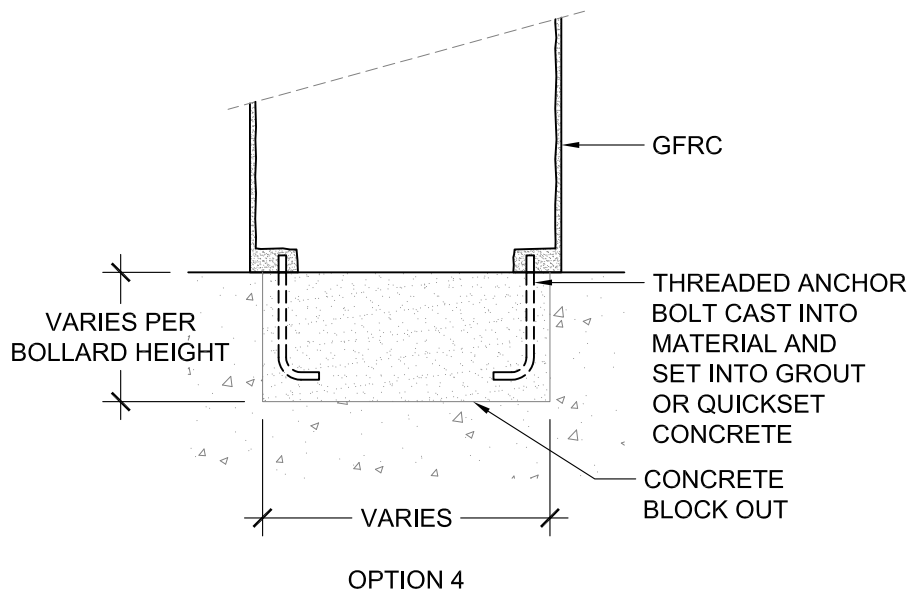
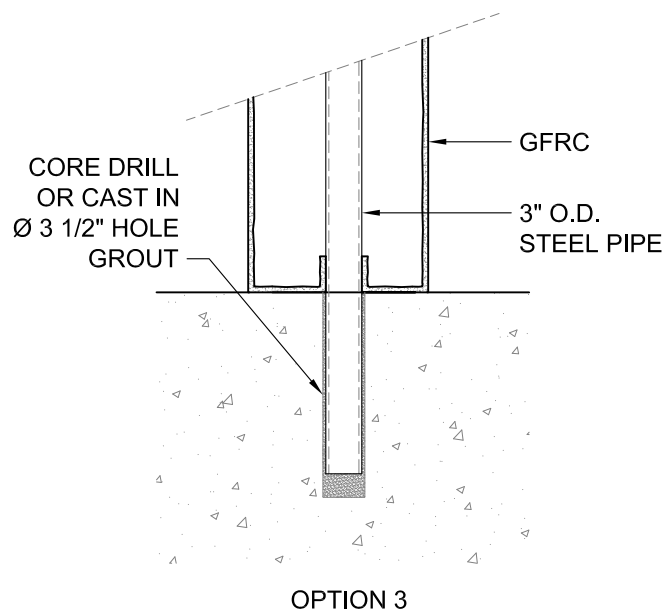
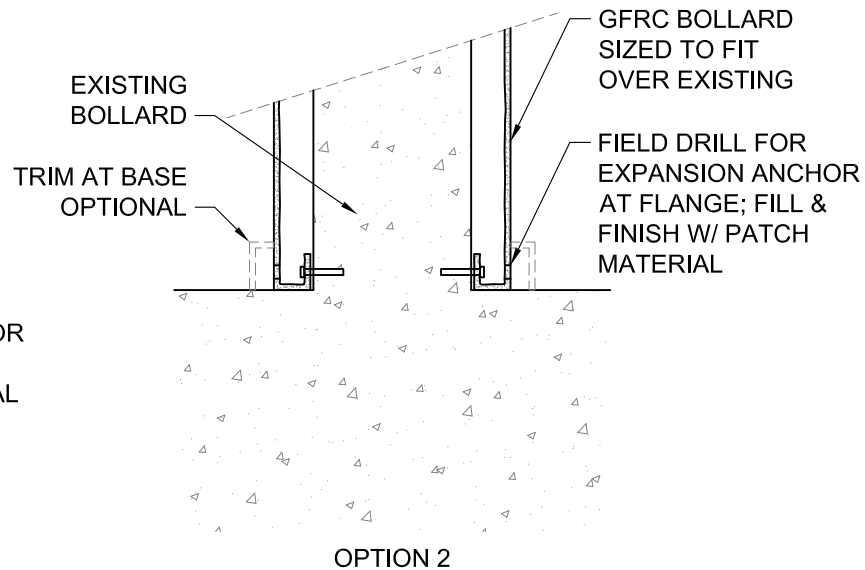
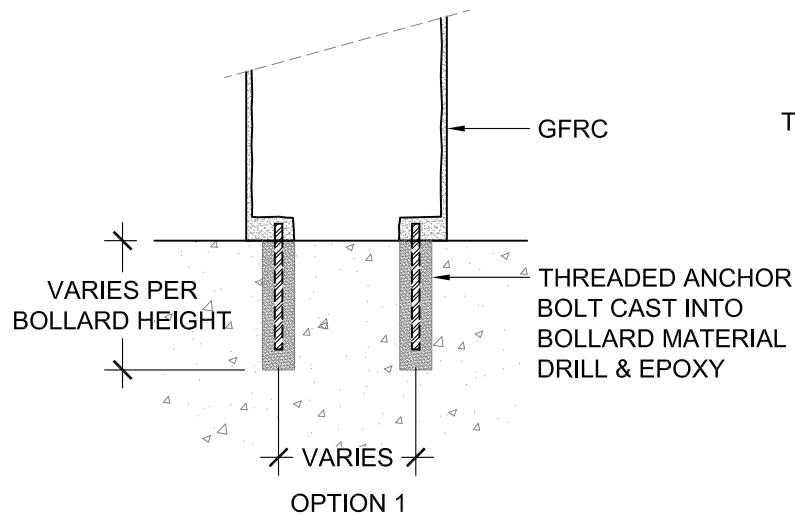
4400 ONEAL STREET, GREENVILLE, TX 75401 PHONE 903.454.9237 FAX 903.454.3642

TITLE: MONROE BOLLARD PLANTER

TYPE DWG: BOLLARD

SCALE: AS NOTED

DWG. SHEET: **SBOP-148**



ALL RIGHTS RESERVED. THIS DRAWING IS PROPERTY OF THE 4 KIDS INC. AND MAY BE USED ONLY WHEN UTILIZING THE 4 KIDS PRODUCTS. THE 4 KIDS INC. GENERAL TERMS AND CONDITIONS APPLY AND ARE INCORPORATE HERE IN BY REFERENCE. THIS DETAIL MAY NOT APPLY TO ALL CONDITIONS AND CONSTRUCTION SITUATIONS.



**CUSTOM THEMED PLAYGROUNDS**

4400 ONEAL STREET, GREENVILLE, TX 75401 PHONE 903.454.9237 FAX 903.454.3642

TITLE: BOLLARD

TYPE DWG: MOUNTING

SCALE: AS NOTED

DWG. SHEET: **SBSP-M1**