



Morrow Bollard Planter



You need a sturdy bollard, but you don't want to litter your landscape with heavy - looking barriers. Add the Morrow Bollard Planter to your site. Like all our bollards, we construct this from high-quality composite material known for its superior strength and long service life. Use the Morrow to border plazas or terraces, prohibit vehicle traffic, or safeguard people. We offer many colors and several finishes, and whichever look you choose you can count on a planter bollard that will maintain its pigment for many years. This dual-function site amenity is a smart choice for project managers and property owners.

The 4 Kids was born out of a desire to create high quality, one-of-a-kind park shelters and play environments that effectively appeal to children's natural curiosity and imagination.

All of our products are custom designed to work perfectly with your unique playground. Let us know how we can meet your specific needs by contacting our knowledgeable design specialists, today.

Contact Us

Ordering from The 4 Kids is easy, initial consultation & quote is free.
We can also provide you with design ideas and conceptual drawings.
We want your whole experience with The 4 Kids to be smooth & rewarding.

4400 Oneal St. Greenville, TX 75401

903.454.9237

info@the4kids.com

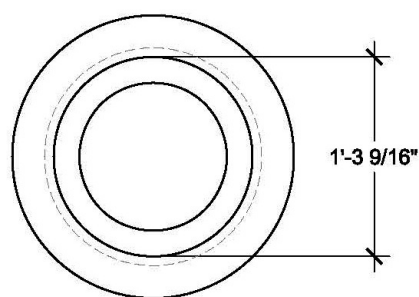
www.the4kids.com

Why Use Us?

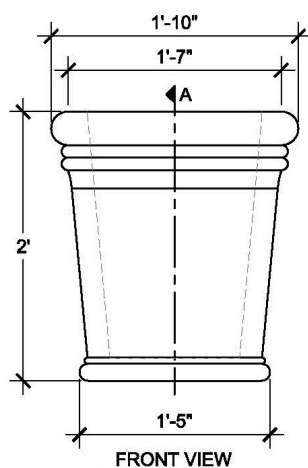
Let our team of experienced engineers and artists make your playground the destination for fun! We can create an exciting space where children's imaginations can run wild. A playscape where parents can feel secure and create lasting memories with their whole family.

Key Features

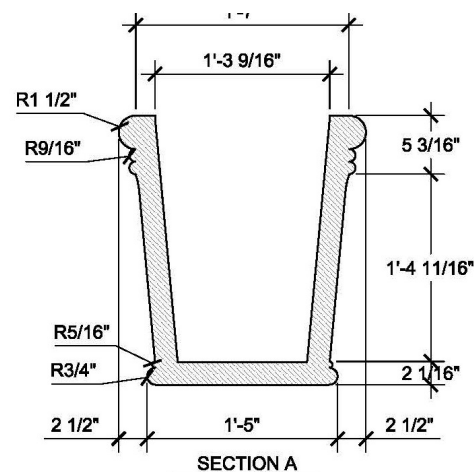
- Simple installation
- Fully customizable size
- Satisfaction always guaranteed
- Customer service team with the know how to answer questions
- Free, no-obligation project quote



TOP VIEW



FRONT VIEW



SECTION A

Specifications

Age Range:
N/A

Dimensions:
22"D x 24"H

Use Zone:
N/A

Mounting Options:
See Typical
Installation Details

SIZE CHART

NAME	HEIGHT	WIDTH
SBOP 149.1	1'-6"	1'-5"
SBOP 149.2	2'-0"	1'-10"
SBOP 149.3	2'-6"	2'-4"
SBOP 149.4	3'-0"	2'-10"
SBOP 149.5	3'-6"	3'-3"

Contact Us

Ordering from The 4 Kids is easy, initial consultation & quote is free. We can also provide you with design ideas and conceptual drawings. We want your whole experience with The 4 Kids to be smooth & rewarding.

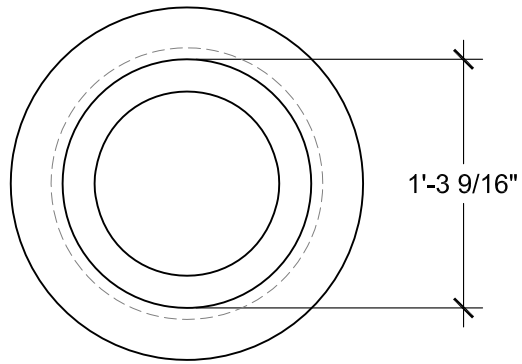
4400 Oneal St. Greenville, TX 75401

903.454.9237

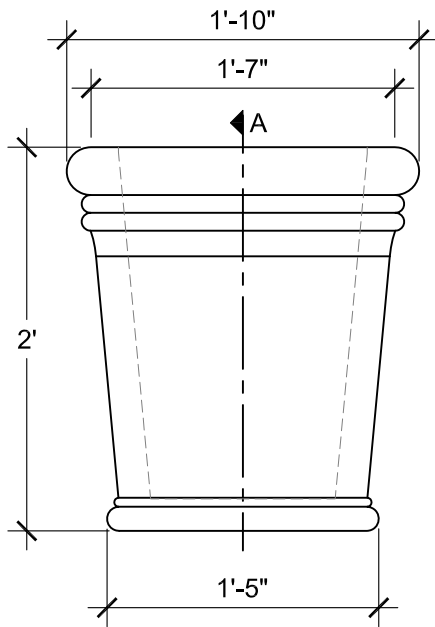
info@the4kids.com

www.the4kids.com

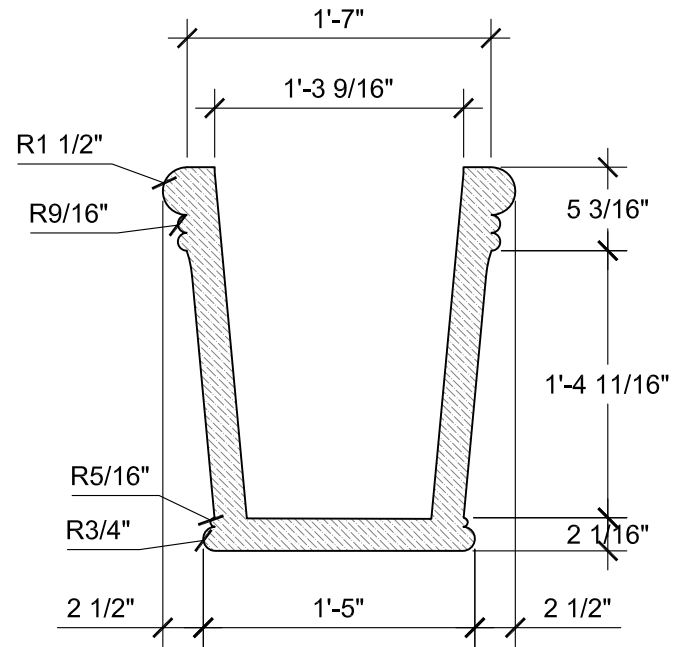
© 2014 The 4 Kids Inc. All rights reserved.



TOP VIEW
SCALE: 1"= 1'-0"



FRONT VIEW
SCALE: 1"= 1'-0"



SECTION A
SCALE: 1"= 1'-0"

SIZE CHART		
NAME	HEIGHT	WIDTH
SBOP 149.1	1'-6"	1'-5"
SBOP 149.2	2'-0"	1'-10"
SBOP 149.3	2'-6"	2'-4"
SBOP 149.4	3'-0"	2'-10"
SBOP 149.5	3'-6"	3'-3"

ALL RIGHTS RESERVED. THIS DRAWING IS PROPERTY OF THE 4 KIDS INC. AND MAY BE USED ONLY WHEN UTILIZING THE 4 KIDS PRODUCTS. THE 4 KIDS INC. GENERAL TERMS AND CONDITIONS APPLY AND ARE INCORPORATE HERE IN BY REFERENCE. THIS DETAIL MAY NOT APPLY TO ALL CONDITIONS AND CONSTRUCTION SITUATIONS.



CUSTOM THEMED PLAYGROUNDS

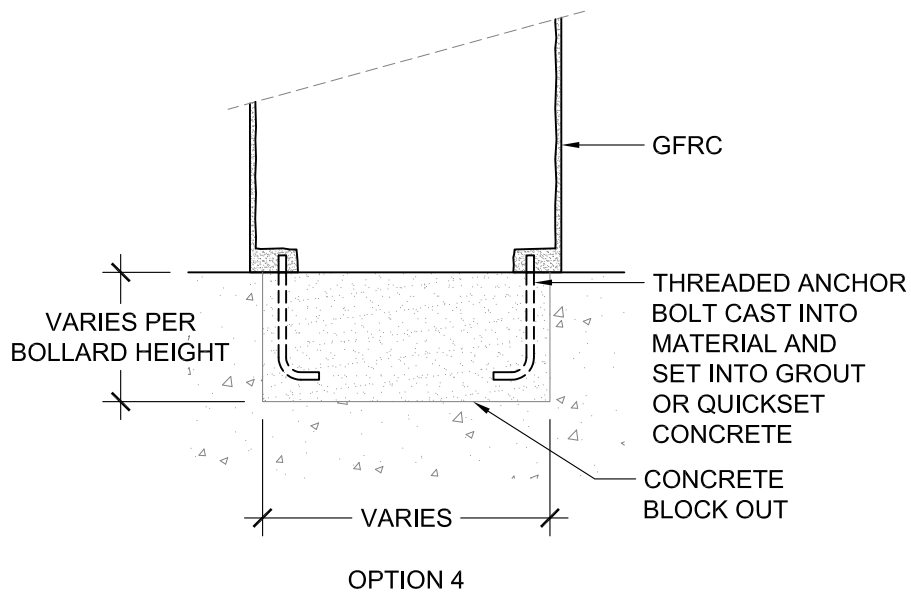
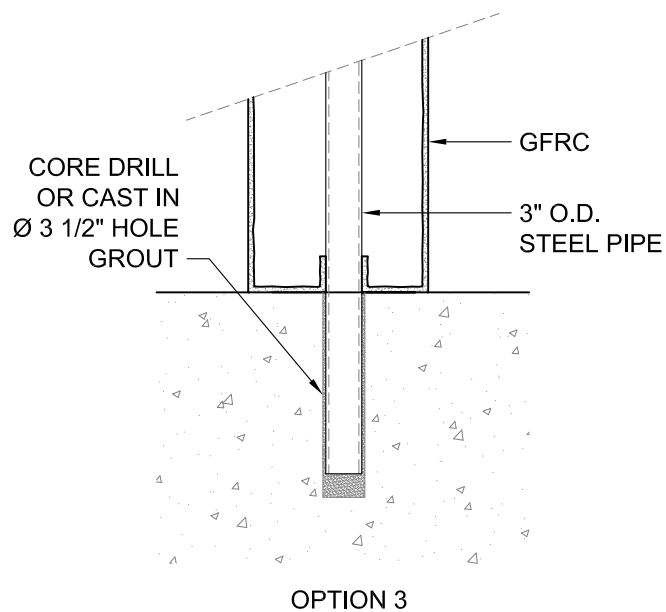
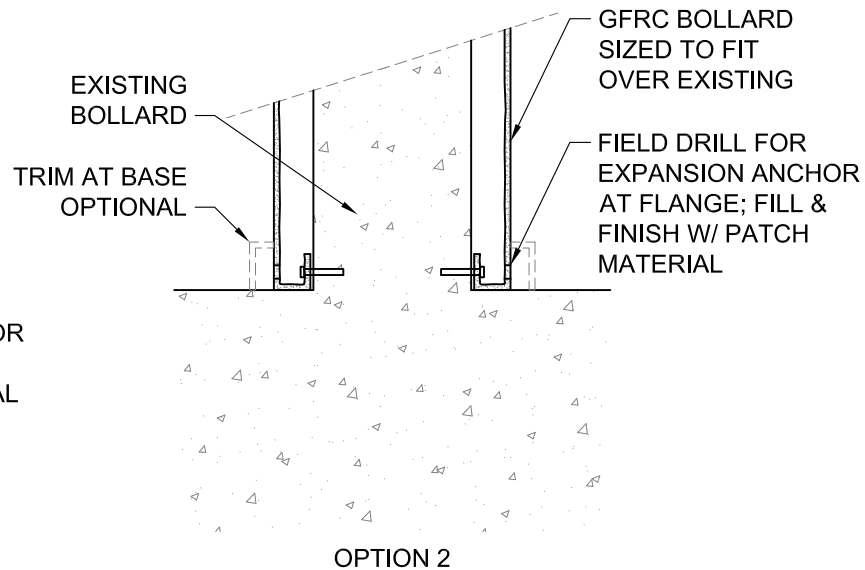
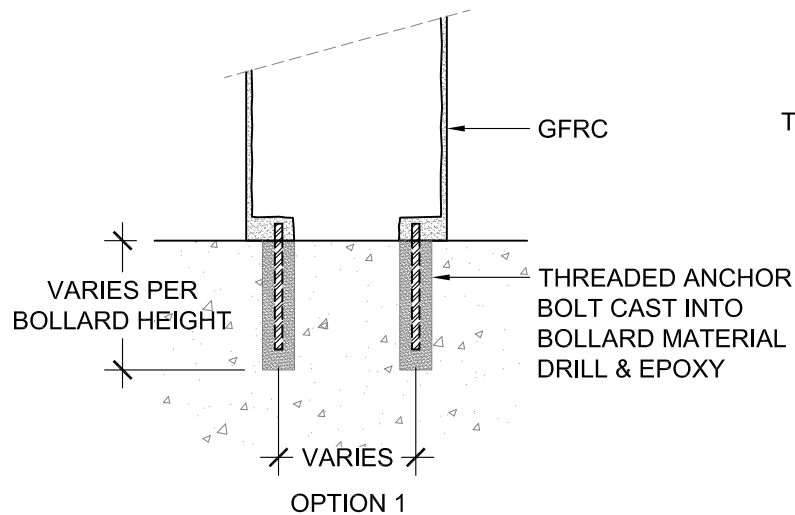
4400 ONEAL STREET, GREENVILLE, TX 75401 PHONE 903.454.9237 FAX 903.454.3642

TITLE: MORROW BOLLARD PLANTER

TYPE DWG: BOLLARD

SCALE: AS NOTED

DWG. SHEET: **SBOP-149**



ALL RIGHTS RESERVED. THIS DRAWING IS PROPERTY OF THE 4 KIDS INC. AND MAY BE USED ONLY WHEN UTILIZING THE 4 KIDS PRODUCTS. THE 4 KIDS INC. GENERAL TERMS AND CONDITIONS APPLY AND ARE INCORPORATE HERE IN BY REFERENCE. THIS DETAIL MAY NOT APPLY TO ALL CONDITIONS AND CONSTRUCTION SITUATIONS.



CUSTOM THEMED PLAYGROUNDS

4400 ONEAL STREET, GREENVILLE, TX 75401 PHONE 903.454.9237 FAX 903.454.3642

TITLE: BOLLARD

TYPE DWG: MOUNTING

SCALE: AS NOTED

DWG. SHEET: **SBSP-M1**