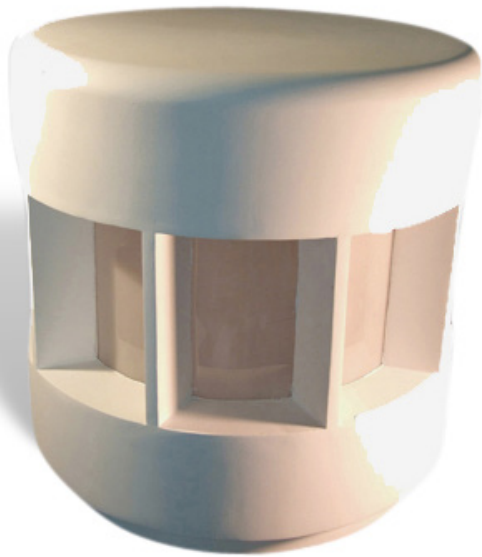


Pembroke Illuminated Bollard



From plazas to restaurants, from schools to developments, the Pembroke Illuminated Bollard is designed to deliver safety and strength while adding visual appeal. Our bollards are constructed from glass fiber reinforced materials that remain strong, withstanding weather and impact. Since this design is lighted, it offers additional safety in the form of street-level illumination. You can light it using your preferred lighting source, and our team is available to help you find the right lighting fit. The Pembroke is offered in several finishes and many colors.

The 4 Kids was born out of a desire to create high quality, one-of-a-kind park shelters and play environments that effectively appeal to children's natural curiosity and imagination.

All of our products are custom designed to work perfectly with your unique playground. Let us know how we can meet your specific needs by contacting our knowledgeable design specialists, today.

Contact Us

Ordering from The 4 Kids is easy, initial consultation & quote is free.
We can also provide you with design ideas and conceptual drawings.
We want your whole experience with The 4 Kids to be smooth & rewarding.

4400 Oneal St. Greenville, TX 75401

903.454.9237

info@the4kids.com

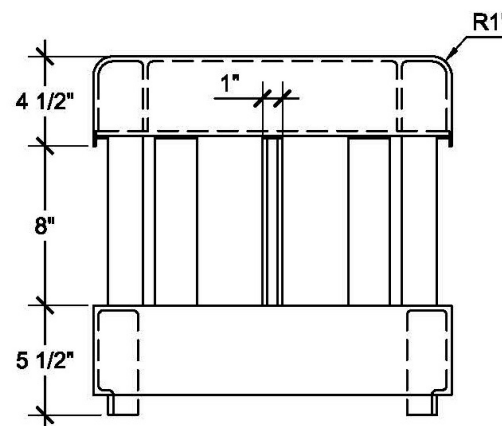
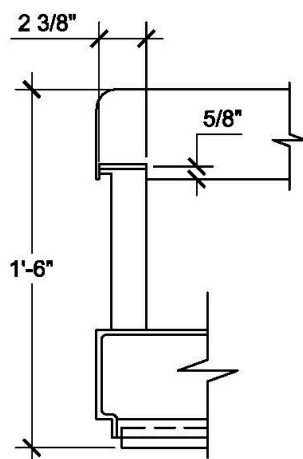
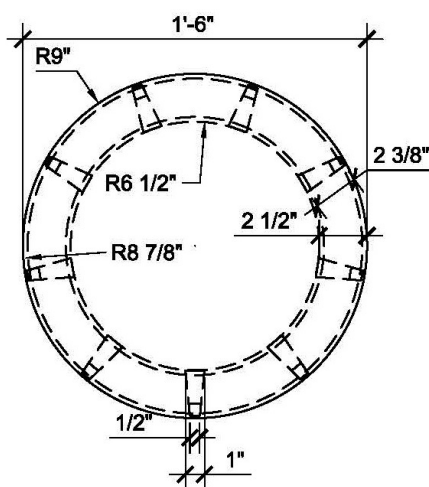
www.the4kids.com

Why Use Us?

Let our team of experienced engineers and artists make your playground the destination for fun! We can create an exciting space where children's imaginations can run wild. A playscape where parents can feel secure and create lasting memories with their whole family.

Key Features

- Customize the size to suit your needs
- Built to the highest safety standards
- Part of our extensive offering of site amenities, which includes planter bollards
- Friendly team on hand to give a free consultation and quote



Specifications

Age Range:
N/A

Dimensions:
18"D x 18"H

Use Zone:
N/A

Mounting Options:
See Typical
Installation Details

SIZE CHART

NAME	HEIGHT	WIDTH
SBOP 128.1	1'-6"	1'-6"
SBOP 128.2	2'-0"	2'-0"
SBOP 128.3	2'-6"	2'-0"
SBOP 128.4	3'-0"	2'-6"
SBOP 128.5	3'-6"	2'-6"

Contact Us

Ordering from The 4 Kids is easy, initial consultation & quote is free. We can also provide you with design ideas and conceptual drawings. We want your whole experience with The 4 Kids to be smooth & rewarding.

4400 Oneal St. Greenville, TX 75401

903.454.9237

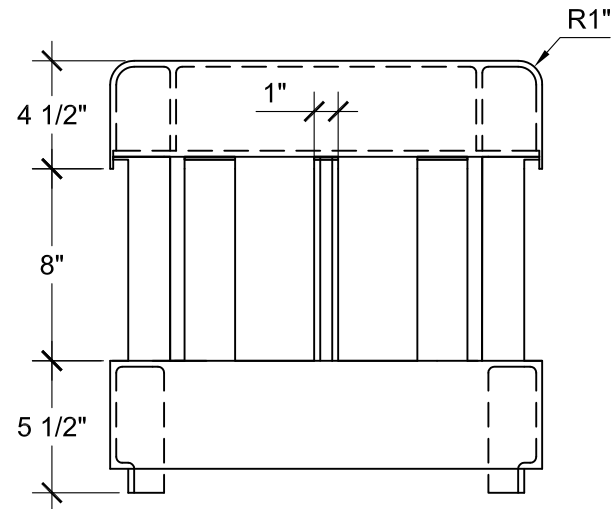
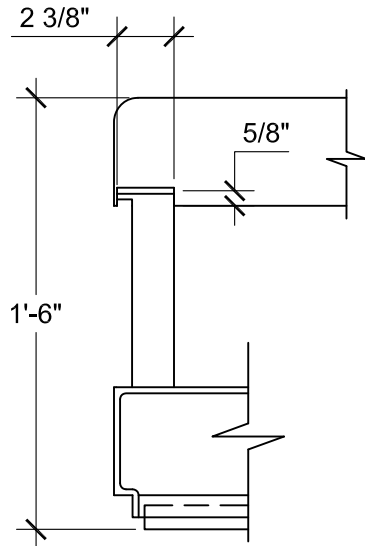
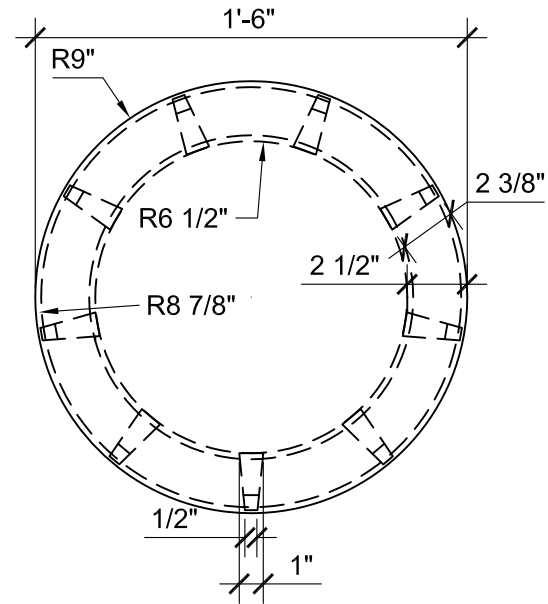
info@the4kids.com

www.the4kids.com

© 2014 The 4 Kids Inc. All rights reserved.

SIZE CHART

NAME	HEIGHT	WIDTH
SBOP 128.1	1'-6"	1'-6"
SBOP 128.2	2'-0"	2'-0"
SBOP 128.3	2'-6"	2'-0"
SBOP 128.4	3'-0"	2'-6"
SBOP 128.5	3'-6"	2'-6"



ALL RIGHTS RESERVED. THIS DRAWING IS PROPERTY OF THE 4 KIDS INC. AND MAY BE USED ONLY WHEN UTILIZING THE 4 KIDS PRODUCTS. THE 4 KIDS INC. GENERAL TERMS AND CONDITIONS APPLY AND ARE INCORPORATED HEREIN BY REFERENCE. THIS DETAIL MAY NOT APPLY TO ALL CONDITIONS AND CONSTRUCTION SITUATIONS.



CUSTOM THEMED PLAYGROUNDS

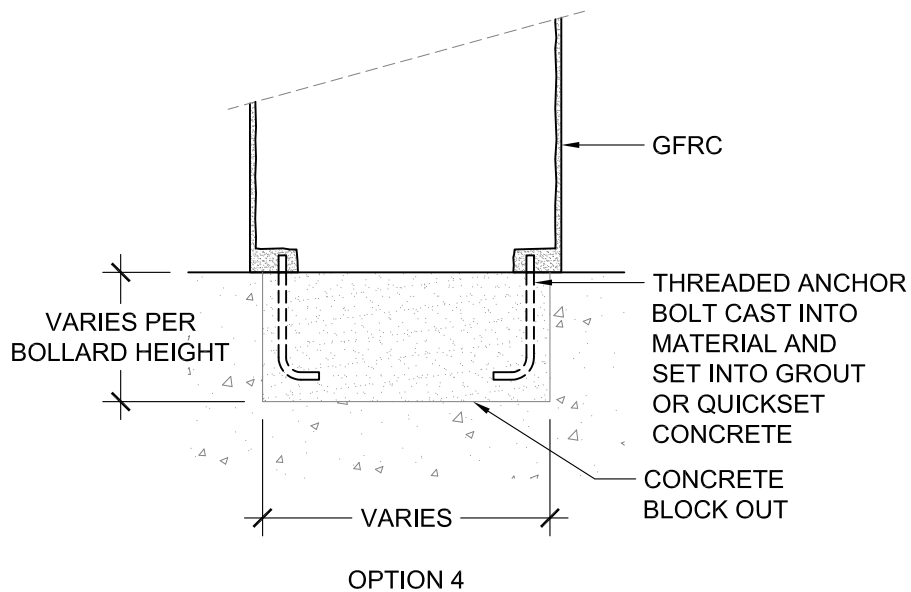
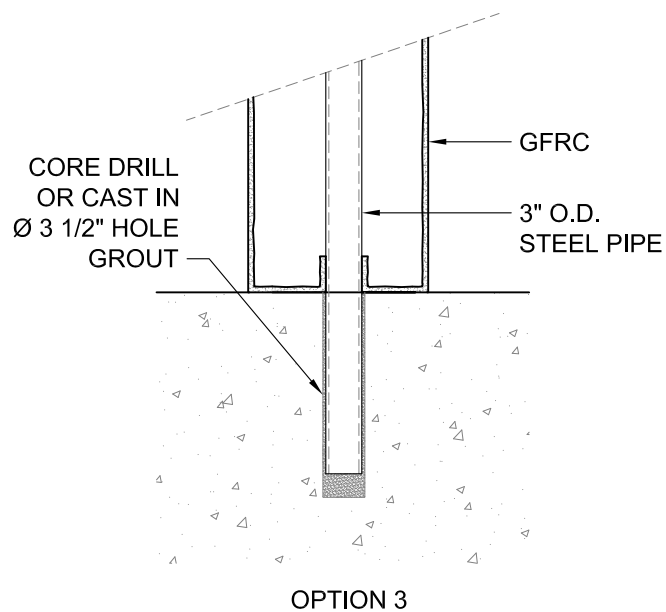
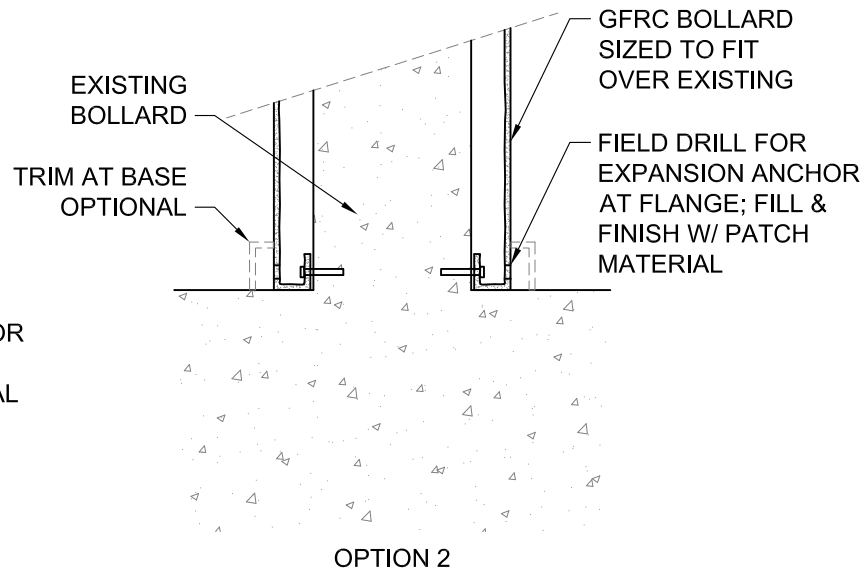
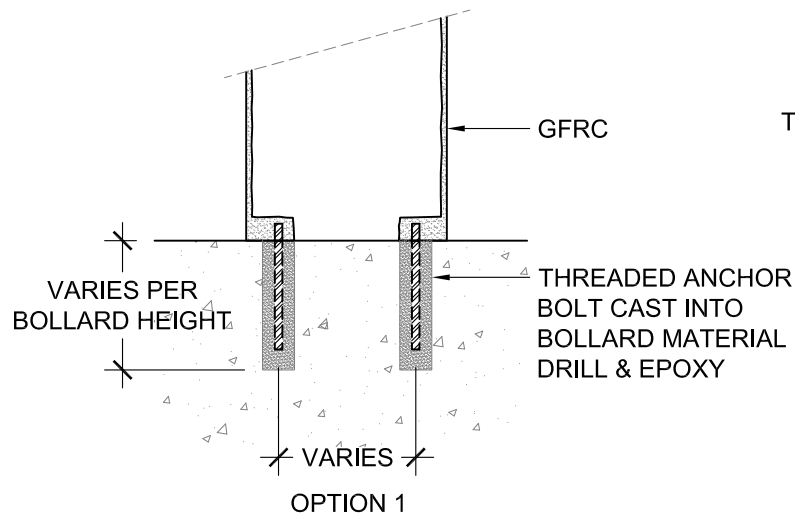
4400 ONEAL STREET, GREENVILLE, TX 75401 PHONE 903.454.9237 FAX 903.454.3642

TITLE: PEMBROKE BOLLARD

TYPE DWG: BOLLARD

SCALE: AS NOTED

DWG. SHEET: **SBOP-128**



ALL RIGHTS RESERVED. THIS DRAWING IS PROPERTY OF THE 4 KIDS INC. AND MAY BE USED ONLY WHEN UTILIZING THE 4 KIDS PRODUCTS. THE 4 KIDS INC. GENERAL TERMS AND CONDITIONS APPLY AND ARE INCORPORATE HERE IN BY REFERENCE. THIS DETAIL MAY NOT APPLY TO ALL CONDITIONS AND CONSTRUCTION SITUATIONS.



CUSTOM THEMED PLAYGROUNDS

4400 ONEAL STREET, GREENVILLE, TX 75401 PHONE 903.454.9237 FAX 903.454.3642

TITLE: BOLLARD

TYPE DWG: MOUNTING

SCALE: AS NOTED

DWG. SHEET: **SBSP-M1**