

Perry Bollard Planter



Classic design meets full function in the Perry Bollard Planter. Engineered with architectural-grade material that resists impact, water, and weather, this planter is designed to provide added security to sites like apartment buildings, offices, resorts, and more. Use this bollard to protect pedestrians, slow traffic, or restrict access. The beauty of this piece is that it's also visually appealing, allowing you to add the greenery that's so important for creating a people-friendly property. The 4 Kids team will customize the bollard's size to suit your project -- no matter how big or small.

The 4 Kids was born out of a desire to create high quality, one-of-a-kind park shelters and play environments that effectively appeal to children's natural curiosity and imagination.

All of our products are custom designed to work perfectly with your unique playground. Let us know how we can meet your specific needs by contacting our knowledgeable design specialists, today.

Contact Us

Ordering from The 4 Kids is easy, initial consultation & quote is free.
We can also provide you with design ideas and conceptual drawings.
We want your whole experience with The 4 Kids to be smooth & rewarding.

4400 Oneal St. Greenville, TX 75401

903.454.9237

info@the4kids.com

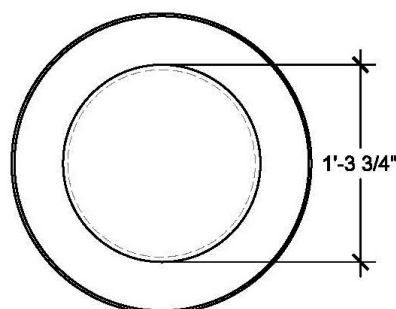
www.the4kids.com

Why Use Us?

Let our team of experienced engineers and artists make your playground the destination for fun! We can create an exciting space where children's imaginations can run wild. A playscape where parents can feel secure and create lasting memories with their whole family.

Key Features

- Available in finishes like concrete or stone
- Many color options as well as color matching for existing amenities
- Fast turnaround time on most projects
- Manufacturer-direct prices
- Free, no-hassle quote



TOP VIEW

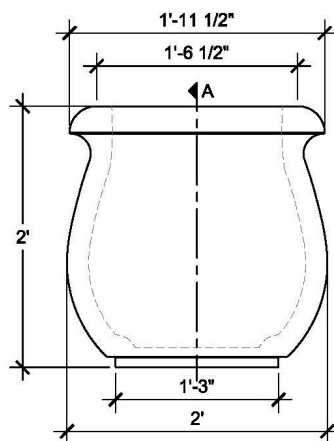
Specifications

Age Range:
N/A

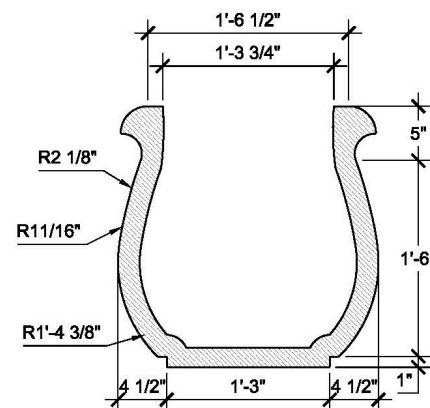
Dimensions:
23-1/2\"D x 24\"H

Use Zone:
N/A

Mounting Options:
See Typical
Installation Details



FRONT VIEW



SECTION A

SIZE CHART

NAME	HEIGHT	WIDTH
SBOP 152.1	1'-6"	1'-6"
SBOP 152.2	2'-0"	2'-0"
SBOP 152.3	2'-6"	2'-6"
SBOP 152.4	3'-0"	3'-0"
SBOP 152.5	3'-6"	3'-6"

Contact Us

Ordering from The 4 Kids is easy, initial consultation & quote is free. We can also provide you with design ideas and conceptual drawings. We want your whole experience with The 4 Kids to be smooth & rewarding.

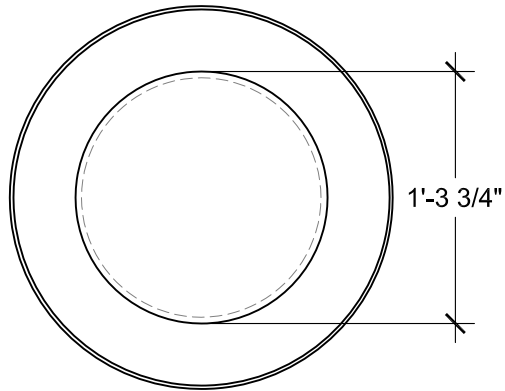
4400 Oneal St. Greenville, TX 75401

903.454.9237

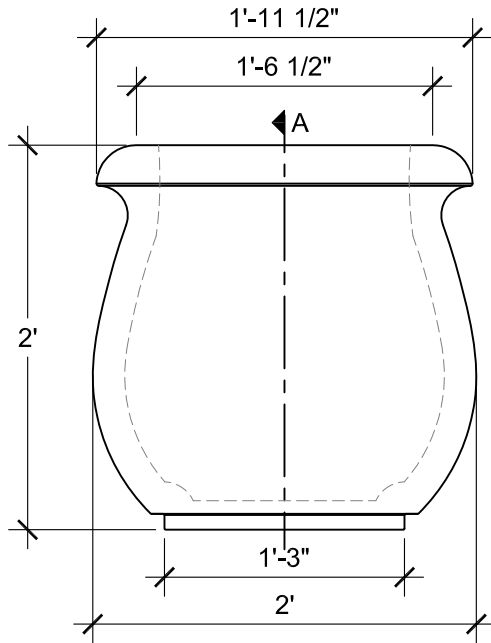
info@the4kids.com

www.the4kids.com

© 2014 The 4 Kids Inc. All rights reserved.

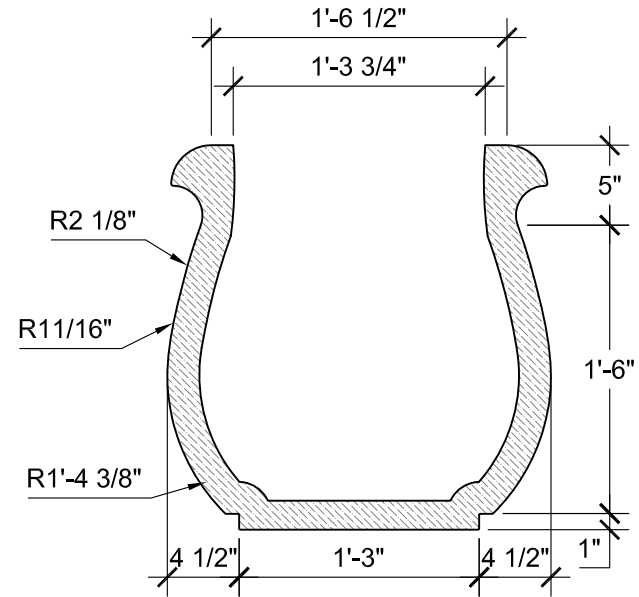


TOP VIEW
SCALE: 1"= 1'-0"



FRONT VIEW
SCALE: 1"= 1'-0"

SIZE CHART		
NAME	HEIGHT	WIDTH
SBOP 152.1	1'-6"	1'-6"
SBOP 152.2	2'-0"	2'-0"
SBOP 152.3	2'-6"	2'-6"
SBOP 152.4	3'-0"	3'-0"
SBOP 152.5	3'-6"	3'-6"



SECTION A
SCALE: 1"= 1'-0"

ALL RIGHTS RESERVED. THIS DRAWING IS PROPERTY OF THE 4 KIDS INC. AND MAY BE USED ONLY WHEN UTILIZING THE 4 KIDS PRODUCTS. THE 4 KIDS INC. GENERAL TERMS AND CONDITIONS APPLY AND ARE INCORPORATE HERE IN BY REFERENCE. THIS DETAIL MAY NOT APPLY TO ALL CONDITIONS AND CONSTRUCTION SITUATIONS.



CUSTOM THEMED PLAYGROUNDS

4400 ONEAL STREET, GREENVILLE, TX 75401 PHONE 903.454.9237 FAX 903.454.3642

TITLE: PERRY BOLLARD PLANTER

TYPE DWG: BOLLARD

SCALE: AS NOTED

DWG. SHEET: **SBOP-152**