



Pickaway Bollard Planter



While there are many planters that will add distinction and greenery to a property, not all will add an extra layer of security. But the Pickaway Bollard Planter is different, making it an excellent investment. Our team designed it with a decorative urn-style look that brings a classic touch to any site. This planter, like all our security bollards, is also crafted from materials like glass fiber reinforced concrete (GFRC), a high-quality composite used in architectural products. This site amenity offers a long service life and will withstand weather, water, and impact.

The 4 Kids was born out of a desire to create high quality, one-of-a-kind park shelters and play environments that effectively appeal to children's natural curiosity and imagination.

All of our products are custom designed to work perfectly with your unique playground. Let us know how we can meet your specific needs by contacting our knowledgeable design specialists, today.

Contact Us

Ordering from The 4 Kids is easy, initial consultation & quote is free.
We can also provide you with design ideas and conceptual drawings.
We want your whole experience with The 4 Kids to be smooth & rewarding.

4400 Oneal St. Greenville, TX 75401

903.454.9237

info@the4kids.com

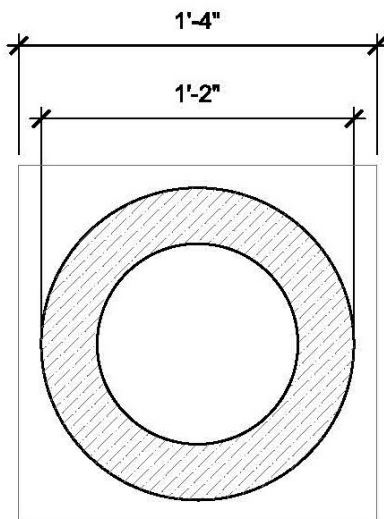
www.the4kids.com

Why Use Us?

Let our team of experienced engineers and artists make your playground the destination for fun! We can create an exciting space where children's imaginations can run wild. A playscape where parents can feel secure and create lasting memories with their whole family.

Key Features

- Available finishes include concrete (pictured), and stone
- Many color options offered
- Fast turnaround on most projects
- Custom design available
- No-cost, no-obligation consultation and quote



SECTION A

Specifications

Age Range:

N/A

Dimensions:

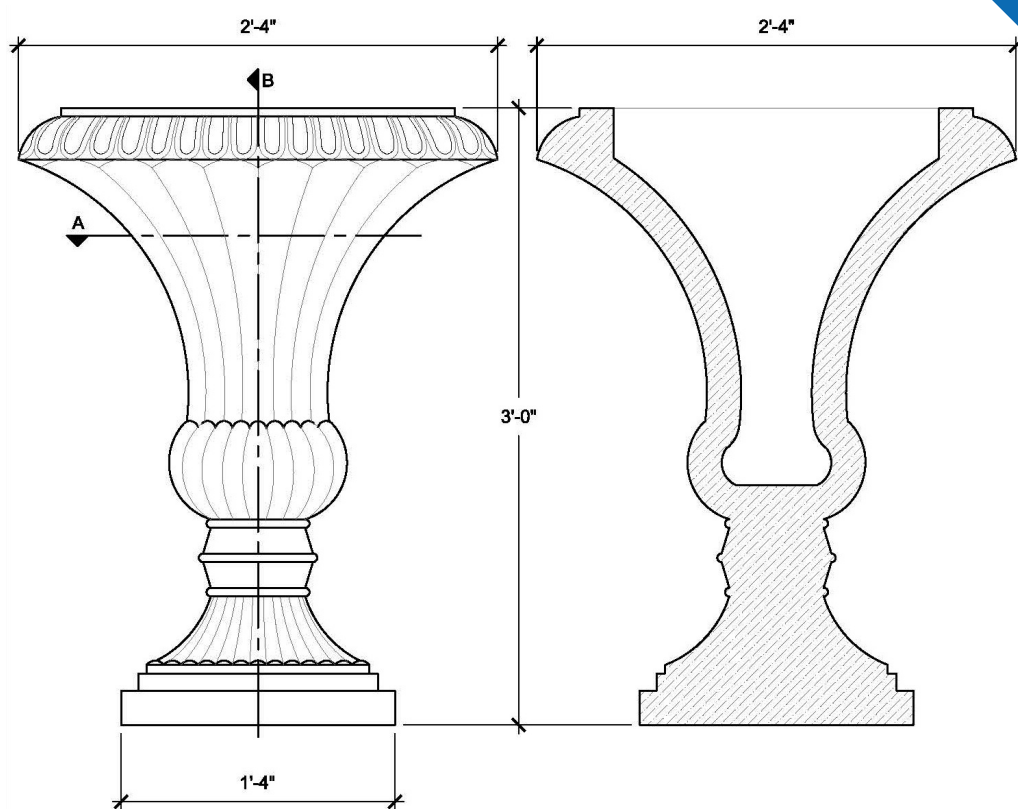
16"L x 16"W x 36"H

Use Zone:

N/A

Mounting Options:

See Typical Installation Details



FRONT VIEW

SECTION B

SIZE CHART

NAME	HEIGHT	WIDTH
SBOP 061.1	2'-0"	1'-7"
SBOP 061.2	2'-6"	1'-11"
SBOP 061.3	3'-0"	2'-4"
SBOP 061.4	3'-6"	2'-9"
SBOP 061.5	4'-0"	3'-1"

Contact Us

Ordering from The 4 Kids is easy, initial consultation & quote is free. We can also provide you with design ideas and conceptual drawings. We want your whole experience with The 4 Kids to be smooth & rewarding.

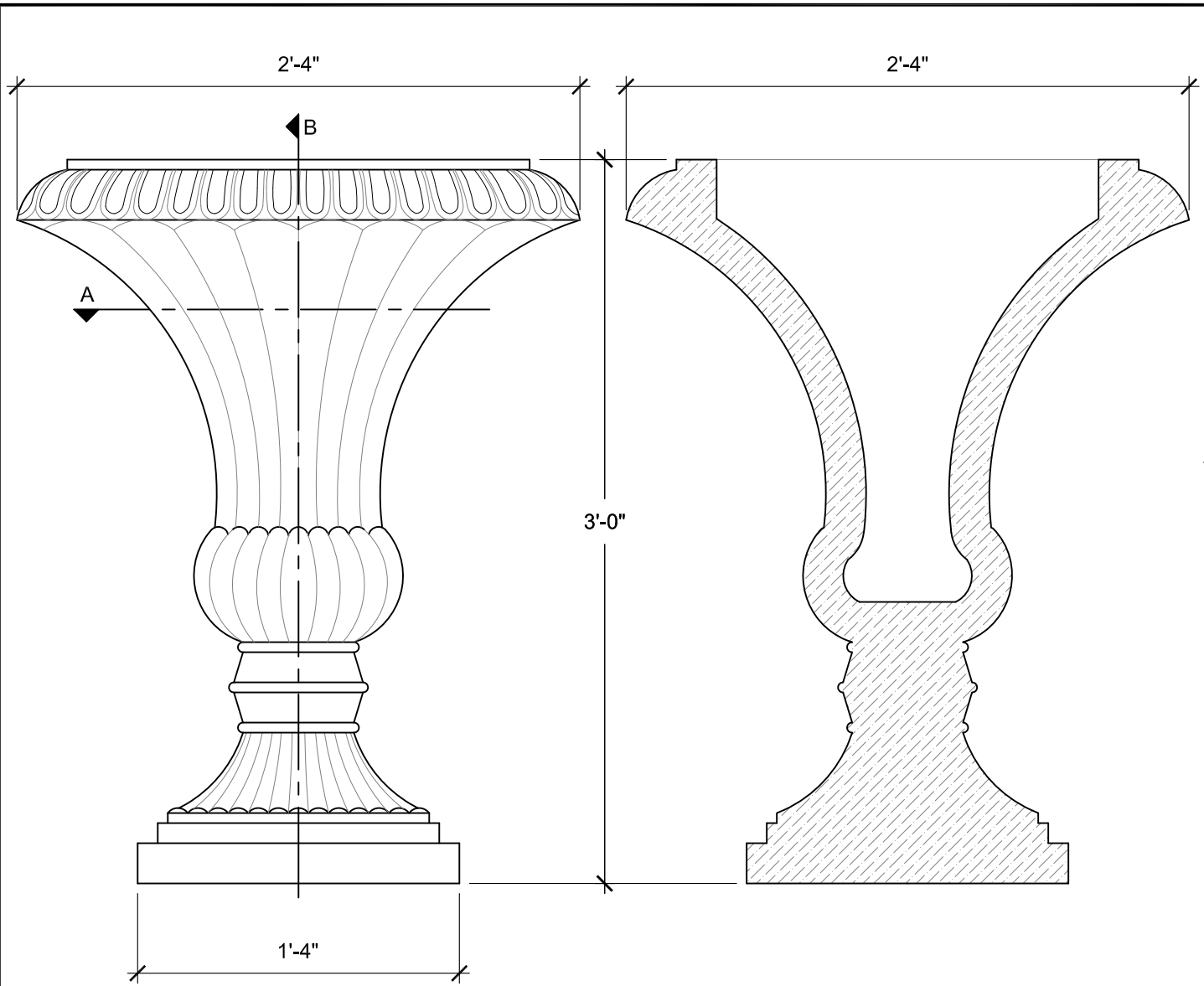
4400 Oneal St. Greenville, TX 75401

903.454.9237

info@the4kids.com

www.the4kids.com

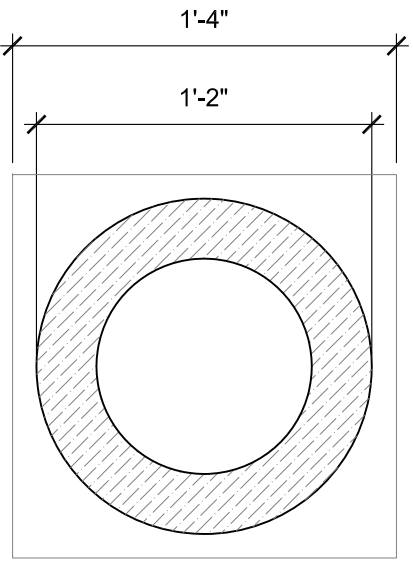
© 2014 The 4 Kids Inc. All rights reserved.



FRONT VIEW
SCALE: 1 1/2" = 1'-0"

SECTION B
SCALE: 1 1/2" = 1'-0"

SIZE CHART		
NAME	HEIGHT	WIDTH
SBOP 061.1	2'-0"	1'-7"
SBOP 061.2	2'-6"	1'-11"
SBOP 061.3	3'-0"	2'-4"
SBOP 061.4	3'-6"	2'-9"
SBOP 061.5	4'-0"	3'-1"



SECTION A
SCALE: 1 1/2" = 1'-0"

ALL RIGHTS RESERVED. THIS DRAWING IS PROPERTY OF THE 4 KIDS INC. AND MAY BE USED ONLY WHEN UTILIZING THE 4 KIDS PRODUCTS. THE 4 KIDS INC. GENERAL TERMS AND CONDITIONS APPLY AND ARE INCORPORATE HERE IN BY REFERENCE. THIS DETAIL MAY NOT APPLY TO ALL CONDITIONS AND CONSTRUCTION SITUATIONS.

THE 4 KIDS CUSTOM THEMED PLAYGROUNDS
 4400 ONEAL STREET, GREENVILLE, TX 75401 PHONE 903.454.9237 FAX 903.454.3642

TITLE: PICKAWAY BOLLARD PLANTER TYPE DWG: BOLLARD
 SCALE: AS NOTED DWG. SHEET: **SBOP-061**