



Pinnacles Pavilion



Fascinating design and unique details make The 4 Kids Pinnacles Pavilion a sought after accent for Nature themed parks, community or commercial playgrounds. Its captivating angled features add flair and style to a shady, comfortable pavilion setting. Constructed of beautiful wood log inspired supports, the pavilion is constructed using strict safety standards and superior materials, ensuring a sturdy, low maintenance structure that withstands all types of weather. Custom made pavilions ensure that every client's individual needs are met with quality work and pleasing results. Bring a delightful pavilion design to your playground, and let the Pinnacles Pavilion bring the forest to you.

The 4 Kids was born out of a desire to create high quality, one-of-a-kind park shelters and play environments that effectively appeal to children's natural curiosity and imagination.

All of our products are custom designed to work perfectly with your unique playground. Let us know how we can meet your specific needs by contacting our knowledgeable design specialists, today.

Contact Us

Ordering from The 4 Kids is easy, initial consultation & quote is free.
We can also provide you with design ideas and conceptual drawings.
We want your whole experience with The 4 Kids to be smooth & rewarding.

4400 Oneal St. Greenville, TX 75401

903.454.9237

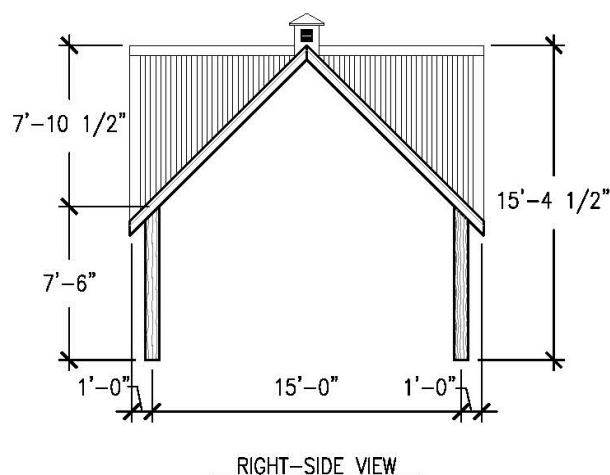
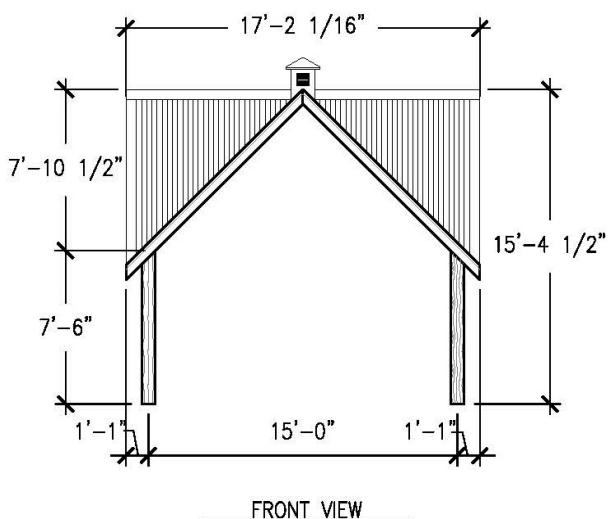
info@the4kids.com

www.the4kids.com

Let our team of experienced engineers and artists make your playground the destination for fun! We can create an exciting space where children's imaginations can run wild. A playscape where parents can feel secure and create lasting memories with their whole family.

Key Features

- Five finishes available
- Customized pavilion designs
- Pavilion provides shady comfort
- Initial quote and consultation are free of charge
- Completes the design of nature themed parks



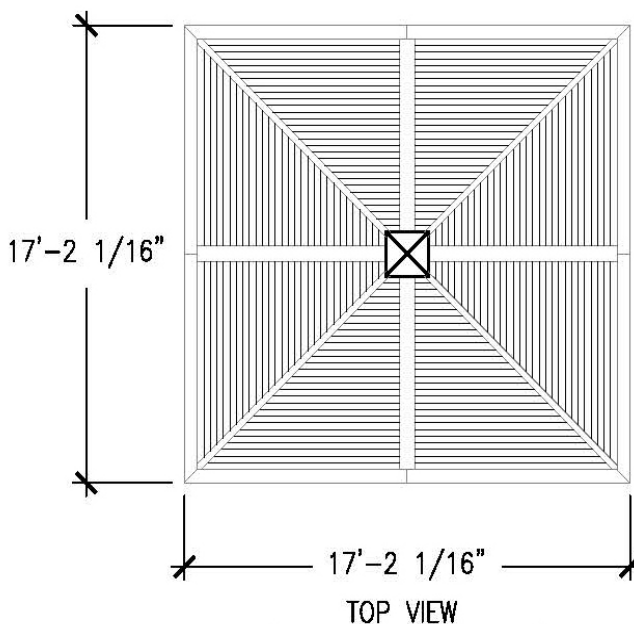
Specifications

Age Range:
N/A

Dimensions:
17'2.25" x 17'2.25"
x 15'4.5"

Use Zone:
N/A

Mounting Options:
Installation Option 1
Installation Option 2



Contact Us

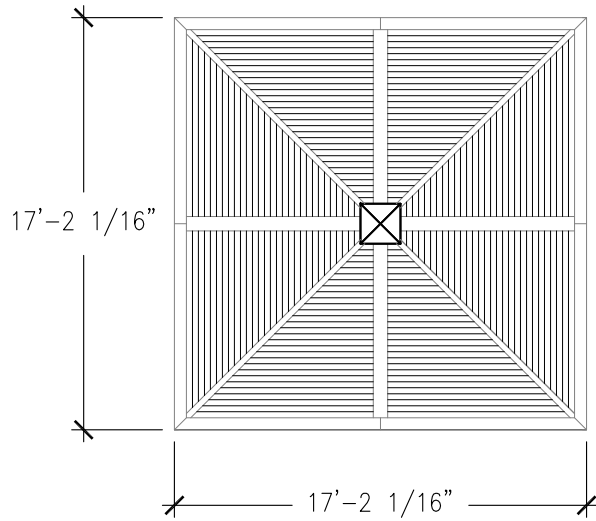
Ordering from The 4 Kids is easy, initial consultation & quote is free. We can also provide you with design ideas and conceptual drawings. We want your whole experience with The 4 Kids to be smooth & rewarding.

4400 Oneal St. Greenville, TX 75401

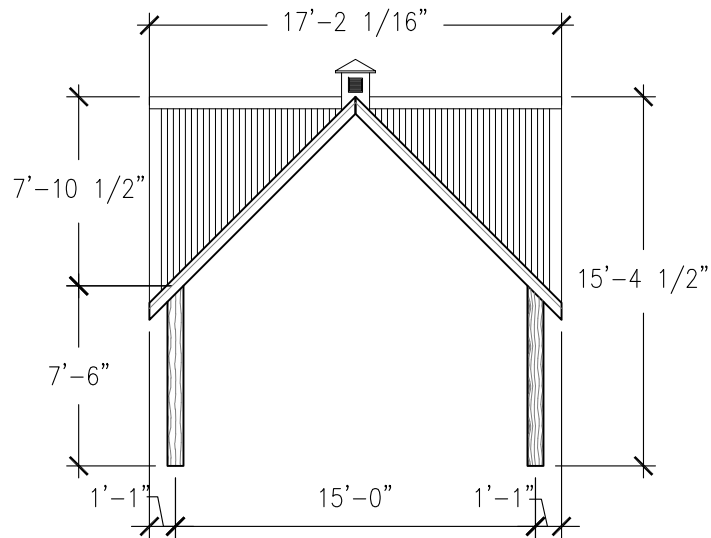
903.454.9237

info@the4kids.com

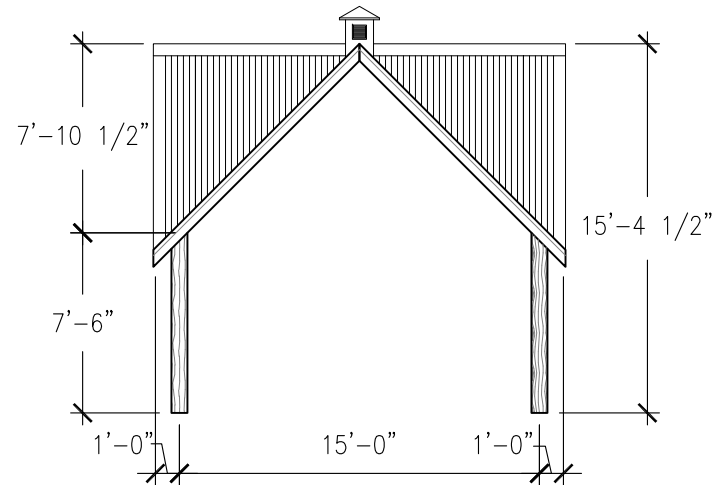
www.the4kids.com



TOP VIEW
SCALE: 1/8" = 1'-0"



FRONT VIEW
SCALE: 1/8" = 1'-0"



RIGHT-SIDE VIEW
SCALE: 1/8" = 1'-0"

ALL RIGHTS RESERVED. THIS DRAWING IS PROPERTY OF THE 4 KIDS INC. AND MAY BE USED ONLY WHEN UTILIZING THE 4 KIDS PRODUCTS. THE 4 KIDS INC. GENERAL TERMS AND CONDITIONS APPLY AND ARE INCORPORATE HERE IN BY REFERENCE. THIS DETAIL MAY NOT APPLY TO ALL CONDITIONS AND CONSTRUCTION SITUATIONS.



CUSTOM THEMED PLAYGROUNDS

4400 ONEAL STREET, GREENVILLE, TX 75401 PHONE 903.454.9237 FAX 903.454.3642

TITLE: PINNACLES PAVILION

TYPE DWG: DETAIL

SCALE: AS NOTED

DWG. SHEET: **PAV105**