

# Pinnacles Pergola



Add an interesting, edgy accent to every nature themed recreation area or park with The 4 Kids' Taos Pergola. Semi-circular design and the slatted wood inspired construction plan add a high level of charm and appeal that enhances walkways, landscaping, entrances and many other areas. Supported by heavy duty faux log posts, the pergola invites admiration from everyone who sees it, be it in a theme park, playground or outdoor or indoor commercial venue. Constructed with superior materials, the pergola is safe and sturdy with low maintenance requirements. Custom designed to meet individual client needs, the Taos Pergola is truly awesome.

The 4 Kids was born out of a desire to create high quality, one-of-a-kind park shelters and play environments that effectively appeal to children's natural curiosity and imagination.

All of our products are custom designed to work perfectly with your unique playground. Let us know how we can meet your specific needs by contacting our knowledgeable design specialists, today.

## Contact Us

Ordering from The 4 Kids is easy, initial consultation & quote is free. We can also provide you with design ideas and conceptual drawings. We want your whole experience with The 4 Kids to be smooth & rewarding.

4400 Oneal St. Greenville, TX 75401

903.454.9237

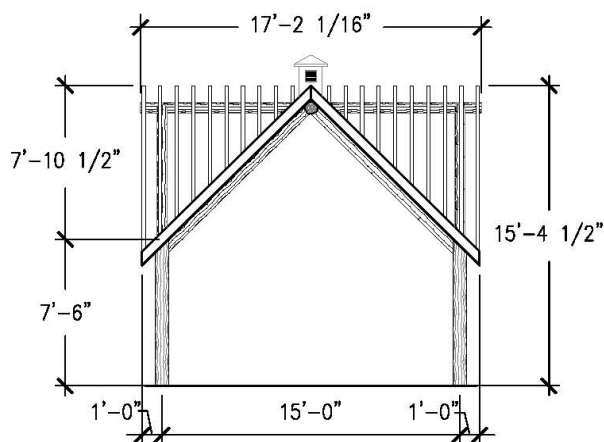
[info@the4kids.com](mailto:info@the4kids.com)

[www.the4kids.com](http://www.the4kids.com)

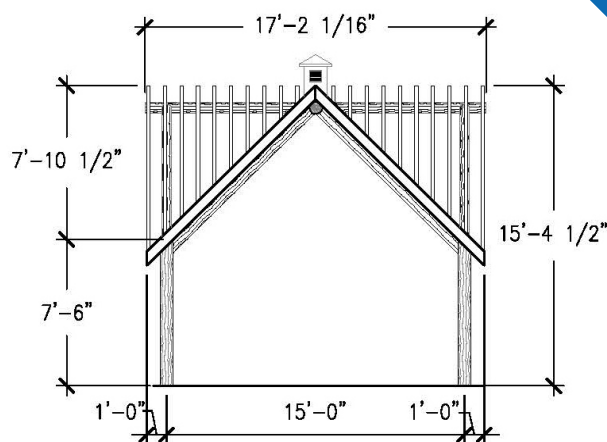
Let our team of experienced engineers and artists make your playground the destination for fun! We can create an exciting space where children's imaginations can run wild. A playscape where parents can feel secure and create lasting memories with their whole family.

**Key Features**

- Perfect for nature themed locations
- Fascinating design that is versatile and sturdy
- Quality construction, low maintenance
- High safety standards
- Initial quote and consultation is free



FRONT VIEW



RIGHT-SIDE VIEW

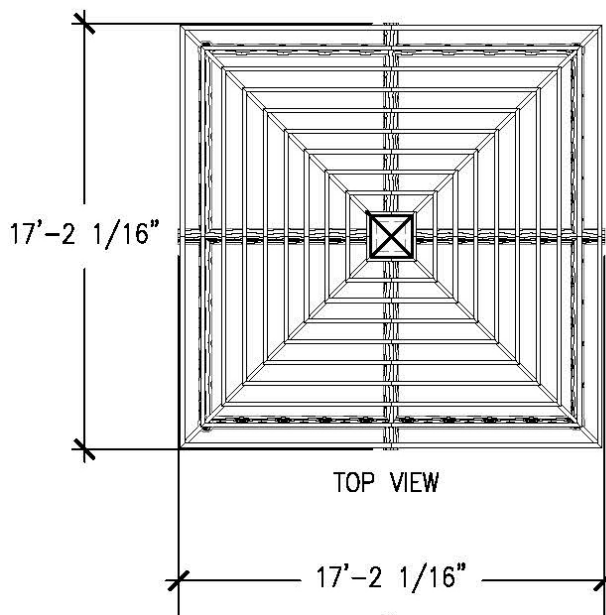
**Specifications**

**Age Range:**  
N/A

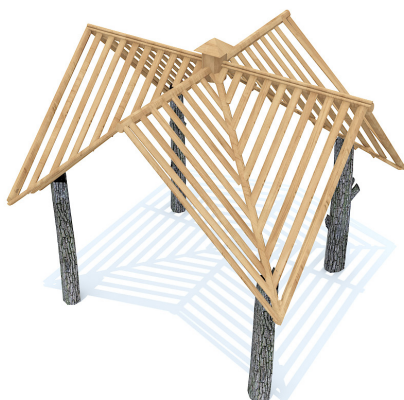
**Dimensions:**  
17'2.25" x 17'2.25"  
x 15'4.5"

**Play Area:**  
N/A

**Mounting Options:** See  
Typical  
Installation Details



TOP VIEW



**Contact Us**

Ordering from The 4 Kids is easy, initial consultation & quote is free. We can also provide you with design ideas and conceptual drawings. We want your whole experience with The 4 Kids to be smooth & rewarding.

4400 Oneal St. Greenville, TX 75401

903.454.9237

info@the4kids.com

www.the4kids.com