

Pirate's Barrel



Hand crafted using versatile materials, to accomplish a realistic look of authenticity. Though a replica of the old sea-faring barrels, salt water is no threat to this gfrc constructed playground sculpture. Two feet wide and over two feet high, the barrel is an ideal décor element for pirate themed playscapes, resorts, restaurants and exhibits. Kids will enjoy climbing, crawling and balancing their way to make believe adventure.

The 4 Kids was born out of a desire to create high quality, one-of-a-kind park shelters and play environments that effectively appeal to children's natural curiosity and imagination.

All of our products are custom designed to work perfectly with your unique playground. Let us know how we can meet your specific needs by contacting our knowledgeable design specialists, today.

Contact Us

Ordering from The 4 Kids is easy, initial consultation & quote is free. We can also provide you with design ideas and conceptual drawings. We want your whole experience with The 4 Kids to be smooth & rewarding.

4400 Oneal St. Greenville, TX 75401

903.454.9237

info@the4kids.com

www.the4kids.com

Why Use Us?

Let our team of experienced engineers and artists make your playground the destination for fun! We can create an exciting space where children's imaginations can run wild. A playscape where parents can feel secure and create lasting memories with their whole family.

Key Features

- Design team includes artists and engineers
- Crafted from environmentally safe materials
- Theme parks, Playgrounds, Restaurants, Resorts, etc.
- Aids with balancing, building confidence in climbers, and gives easy access for crawlers

Specifications

Age Range:

2-5 Yrs
5-12 Yrs

Dimensions:

2'D x 2'6"H

Use Zone:

14' x 14'

Mounting Options:

Installation Option 1
Installation Option 2



Contact Us

Ordering from The 4 Kids is easy, initial consultation & quote is free. We can also provide you with design ideas and conceptual drawings. We want your whole experience with The 4 Kids to be smooth & rewarding.

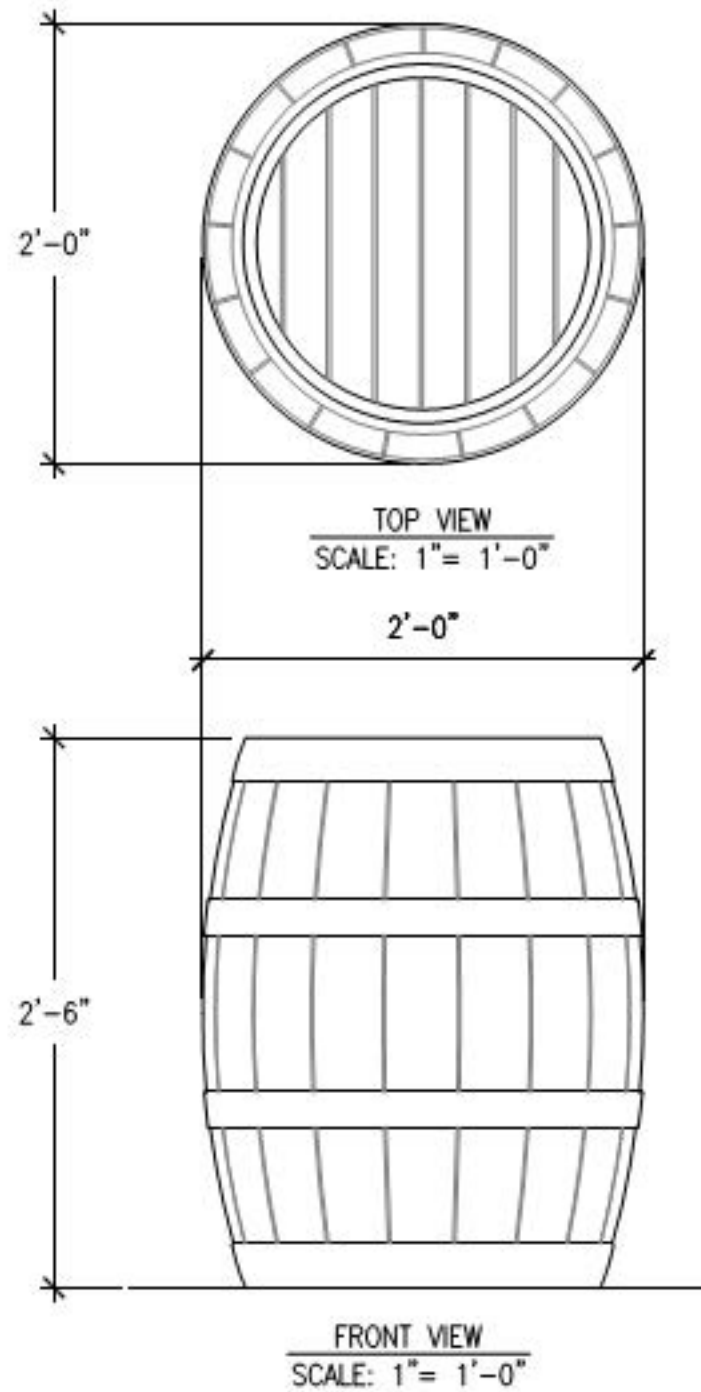
4400 Oneal St. Greenville, TX 75401

903.454.9237

info@the4kids.com

www.the4kids.com

© 2014 The 4 Kids Inc. All rights reserved.



ALL RIGHTS RESERVED. THIS DRAWING IS PROPERTY OF STROMBERG ARCHITECTURAL PRODUCTS INC. AND MAY BE USED ONLY WHEN UTILIZING STROMBERG ARCHITECTURAL PRODUCTS. STROMBERG ARCHITECTURAL PRODUCTS INC. GENERAL TERMS AND CONDITIONS APPLY AND ARE INCORPORATED HEREIN BY REFERENCE. THIS DETAIL MAY NOT APPLY TO ALL CONDITIONS AND CONSTRUCTION SITUATIONS.



CUSTOM THEMED PLAYGROUNDS

4400 ONEAL STREET, GREENVILLE, TX 75401 PHONE 903.454.9237 FAX 903.454.3642

TITLE: BARREL

TYPE DWG: DETAIL

SCALE: AS NOTED

DWG. SHEET: **PLW.1.1.F.1.R0**