

Putnam Bollard Planter



When you need a tough, attractive planter for your site, the Putnam Bollard Planter is a smart solution. Built using glass fiber reinforced concrete (GFRC), this sturdy site amenity is constructed to withstand impact, helping to protect pedestrians, entrances, or parked vehicles. The Putnam is also resilient in nearly any weather condition and resistant to corrosion. The 4 Kids offers it in many colors, making it simple to create the exact look your property requires. We'll fully customize the size as well, building it as small or large as you need to get the job done.

The 4 Kids was born out of a desire to create high quality, one-of-a-kind park shelters and play environments that effectively appeal to children's natural curiosity and imagination.

All of our products are custom designed to work perfectly with your unique playground. Let us know how we can meet your specific needs by contacting our knowledgeable design specialists, today.

Contact Us

Ordering from The 4 Kids is easy, initial consultation & quote is free.
We can also provide you with design ideas and conceptual drawings.
We want your whole experience with The 4 Kids to be smooth & rewarding.

4400 Oneal St. Greenville, TX 75401

903.454.9237

info@the4kids.com

www.the4kids.com

Let our team of experienced engineers and artists make your playground the destination for fun! We can create an exciting space where children's imaginations can run wild. A playscape where parents can feel secure and create lasting memories with their whole family.

Key Features

- Offered in finishes like concrete and stone
- Many additional bollard styles available, from classical to contemporary
- Fast turnaround on most projects
- Friendly team ready to provide a free quote

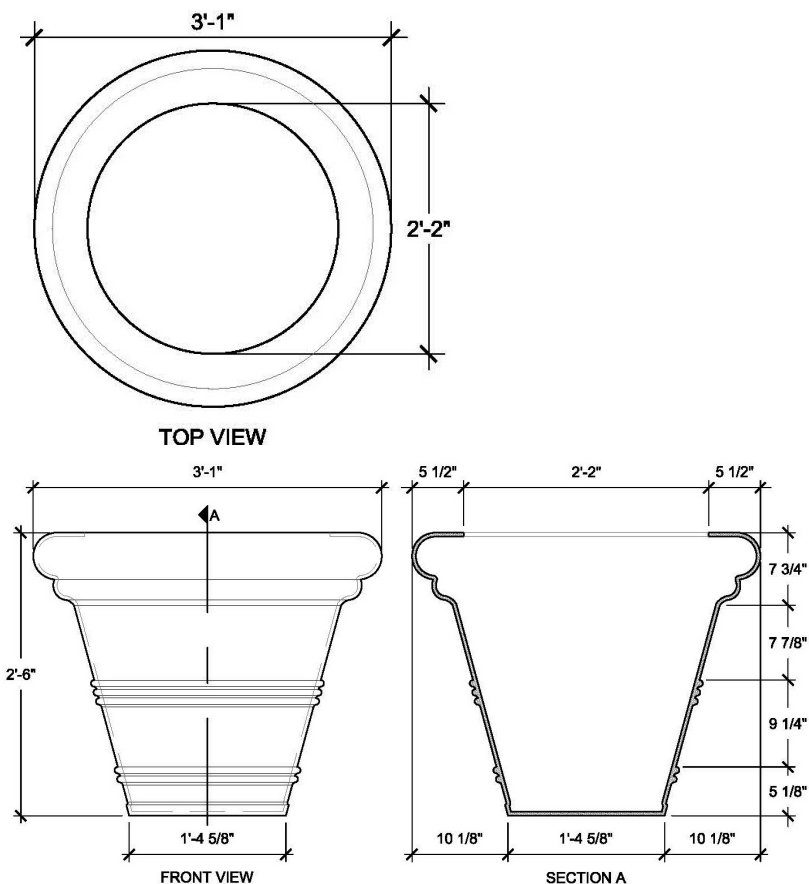
Specifications

Age Range:
N/A

Dimensions:
37"L x 37"W x 30"H

Use Zone:
N/A

Mounting Options:
See Typical Installation Details



SIZE CHART

NAME	HEIGHT	WIDTH
SBOP 051.1	2'-0"	2'-6"
SBOP 051.2	2'-6"	3'-1"
SBOP 051.3	3'-0"	3'-9"
SBOP 051.4	3'-6"	4'-5"
SBOP 051.5	4'-0"	5'-1"

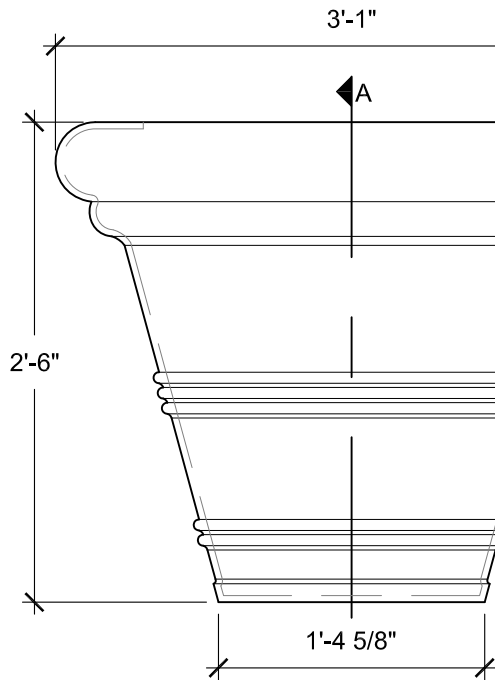
Contact Us

Ordering from The 4 Kids is easy, initial consultation & quote is free. We can also provide you with design ideas and conceptual drawings. We want your whole experience with The 4 Kids to be smooth & rewarding.

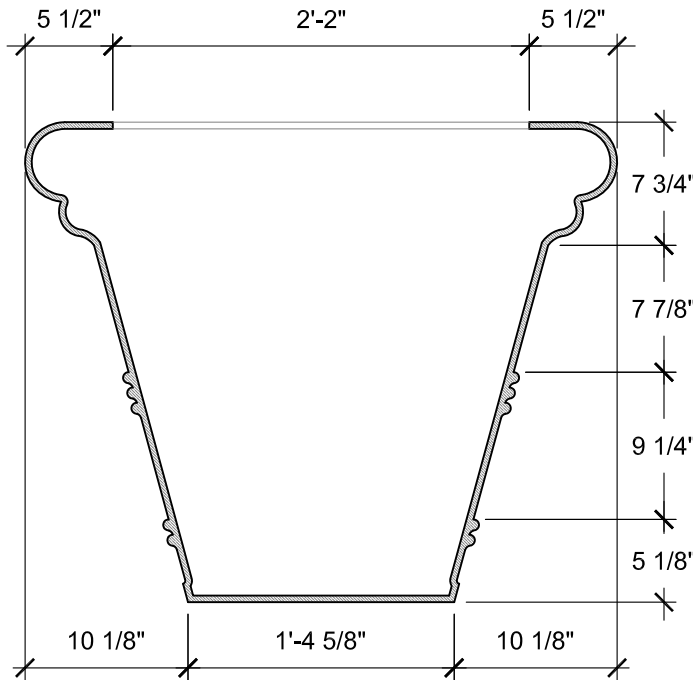
4400 Oneal St. Greenville, TX 75401
 903.454.9237 info@the4kids.com www.the4kids.com

SIZE CHART

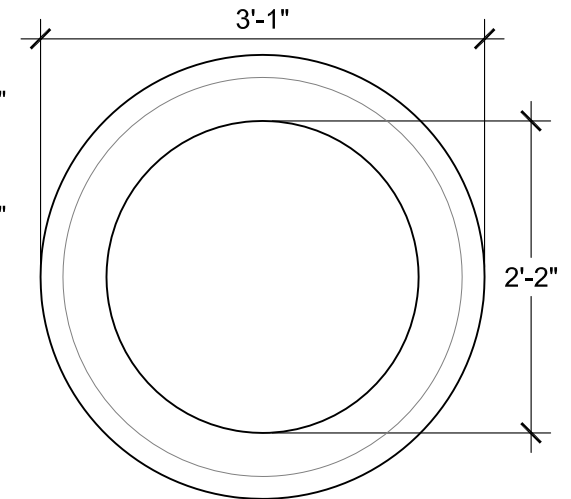
NAME	HEIGHT	WIDTH
SBOP 051.1	2'-0"	2'-6"
SBOP 051.2	2'-6"	3'-1"
SBOP 051.3	3'-0"	3'-9"
SBOP 051.4	3'-6"	4'-5"
SBOP 051.5	4'-0"	



FRONT VIEW
SCALE: 1"= 1'-0"



SECTION A
SCALE: 1"= 1'-0"



TOP VIEW
SCALE: 3/4"= 1'-0"

ALL RIGHTS RESERVED. THIS DRAWING IS PROPERTY OF THE 4 KIDS INC. AND MAY BE USED ONLY WHEN UTILIZING THE 4 KIDS PRODUCTS. THE 4 KIDS INC. GENERAL TERMS AND CONDITIONS APPLY AND ARE INCORPORATE HERE IN BY REFERENCE. THIS DETAIL MAY NOT APPLY TO ALL CONDITIONS AND CONSTRUCTION SITUATIONS.



CUSTOM THEMED PLAYGROUNDS

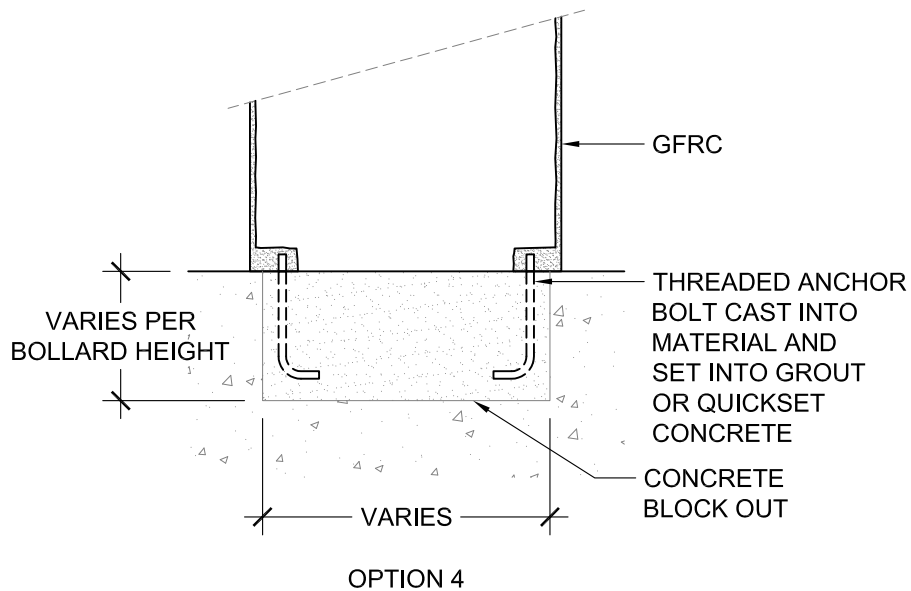
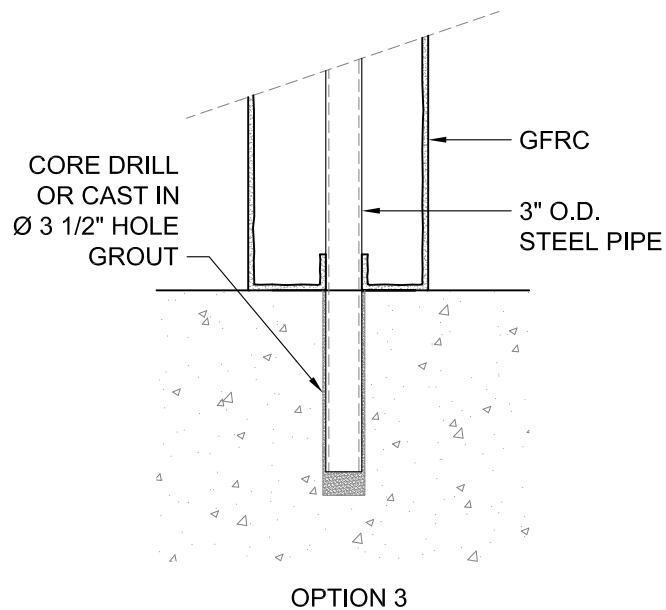
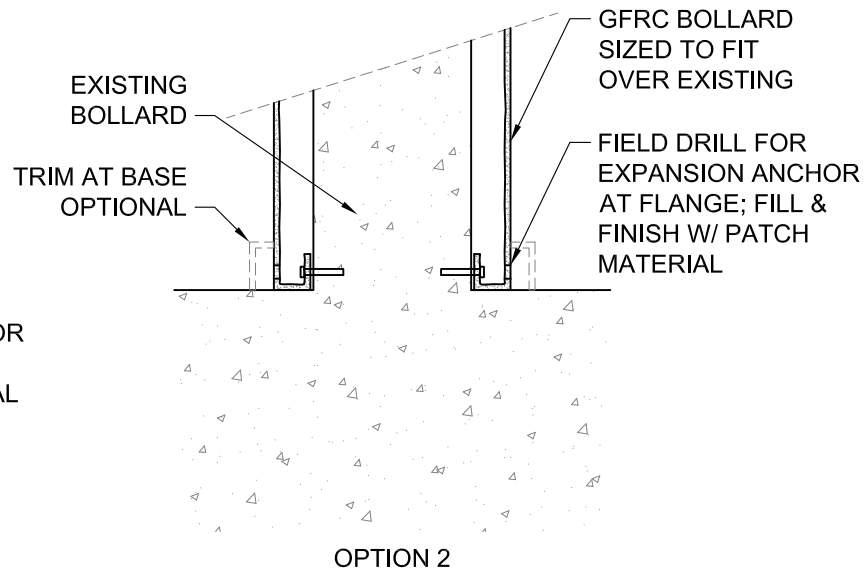
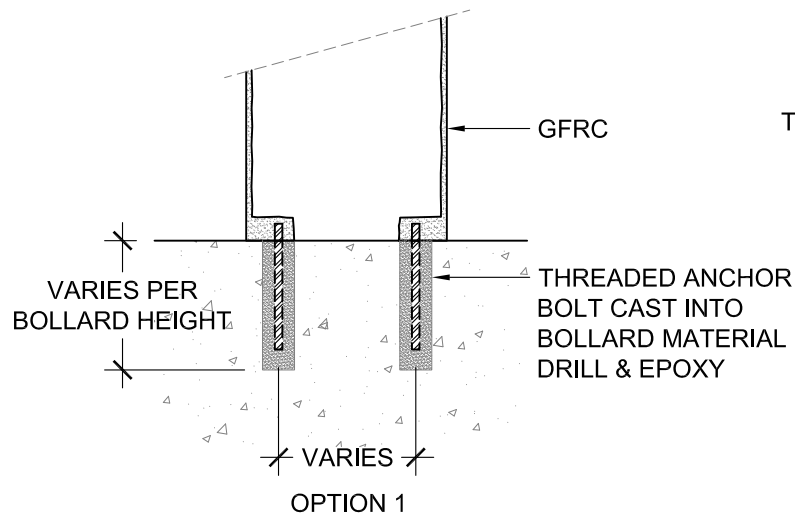
4400 ONEAL STREET, GREENVILLE, TX 75401 PHONE 903.454.9237 FAX 903.454.3642

TITLE: PUTNAM BOLLARD PLANTER

TYPE DWG: BOLLARD

SCALE: AS NOTED

DWG. SHEET: **SBOP-051**



ALL RIGHTS RESERVED. THIS DRAWING IS PROPERTY OF THE 4 KIDS INC. AND MAY BE USED ONLY WHEN UTILIZING THE 4 KIDS PRODUCTS. THE 4 KIDS INC. GENERAL TERMS AND CONDITIONS APPLY AND ARE INCORPORATE HERE IN BY REFERENCE. THIS DETAIL MAY NOT APPLY TO ALL CONDITIONS AND CONSTRUCTION SITUATIONS.



CUSTOM THEMED PLAYGROUNDS

4400 ONEAL STREET, GREENVILLE, TX 75401 PHONE 903.454.9237 FAX 903.454.3642

TITLE: BOLLARD

TYPE DWG: MOUNTING

SCALE: AS NOTED

DWG. SHEET: **SBSP-M1**