



Red Bell Pepper Post Topper



Small touches can add so much to the overall character of a space. The 4 Kids Bell Pepper Post Topper is the perfect décor accent for themed parks, family fun centers, entertainment venues, even children's museums and playgrounds. Imagine lining walkways with posts topped with these whimsical red pepper sculptures in deep, intense shades topped by a bright green stem. So realistic one might be tempted to take a bite, the Bell Pepper Post Topper puts the fun in functional at restaurants, shopping outlets, even outdoor street markets. Talented playground artists, sculptors and designers make up The 4 Kids creative team in Greenville, Texas, where the unique post toppers are part of an extensive collection. Besides flawless, realistic design, the bell pepper sculpture is also crafted with top quality materials for a minimum of maintenance requirements and years of wear in all weather conditions. Pick a pepper to top your posts and add a measure of garden themed whimsy to your décor scheme.

The 4 Kids was born out of a desire to create high quality, one-of-a-kind park shelters and play environments that effectively appeal to children's natural curiosity and imagination.

All of our products are custom designed to work perfectly with your unique playground. Let us know how we can meet your specific needs by contacting our knowledgeable design specialists, today.

Contact Us

Ordering from The 4 Kids is easy, initial consultation & quote is free.
We can also provide you with design ideas and conceptual drawings.
We want your whole experience with The 4 Kids to be smooth & rewarding.

4400 Oneal St. Greenville, TX 75401

903.454.9237

info@the4kids.com

www.the4kids.com

Why Use Us?

Let our team of experienced engineers and artists make your playground the destination for fun! We can create an exciting space where children's imaginations can run wild. A playscape where parents can feel secure and create lasting memories with their whole family.

Key Features

- Customized designs for post toppers based on client needs
- Perfect as a theme décor feature
- Enhances posts that define spaces in themed parks
- Expert team creates works of playground art
- Pepper design is realistic and meticulously detailed

Specifications

Age Range:

N/A

Dimensions:

17.75"L x 17.75"W x
Post Height

Use Zone:

N/A

Mounting Options:

See Typical
Installation Details



Contact Us

Ordering from The 4 Kids is easy, initial consultation & quote is free. We can also provide you with design ideas and conceptual drawings. We want your whole experience with The 4 Kids to be smooth & rewarding.

4400 Oneal St. Greenville, TX 75401

903.454.9237

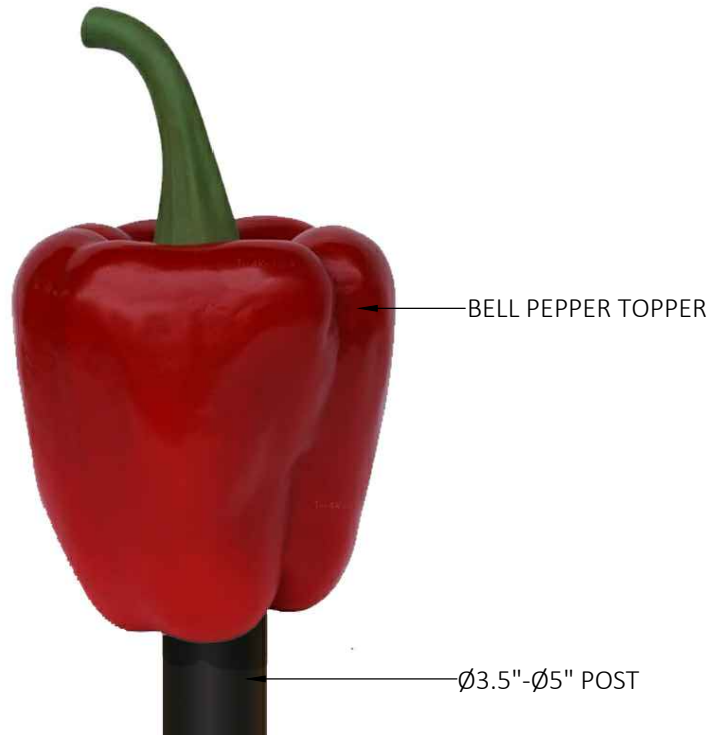
info@the4kids.com

www.the4kids.com

© 2014 The 4 Kids Inc. All rights reserved.

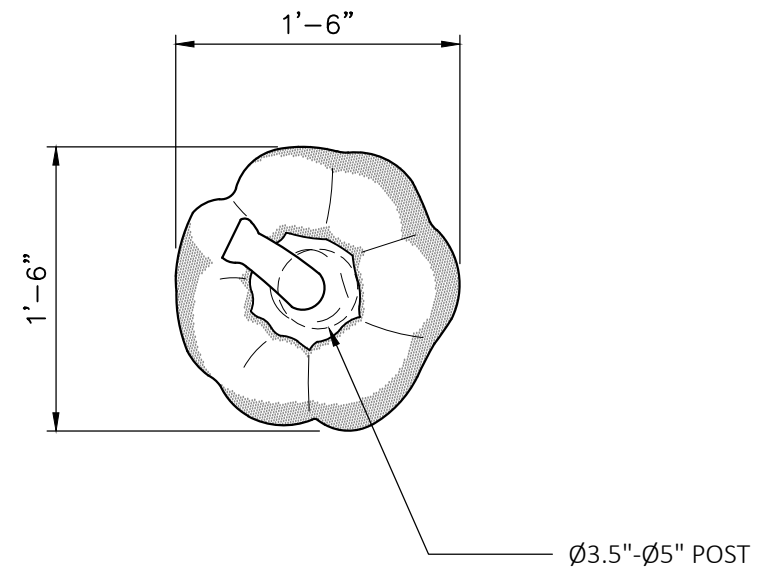
BELL PEPPER POST TOPPER

17.75" X 17.75" X 28.5"



PRODUCT VIEW

SCALE: NTS



TOP VIEW

SCALE: 1" = 1'