

Sandusky Bollard Planter



Whether you're safeguarding an outdoor dining area or adding greenery to a public space, the Sandusky Bollard Planter is a classic choice that adds distinction and function. Built with versatile and durable glass fiber reinforced concrete (GFRC), this site amenity features a highly-detailed leaf design that perfectly highlights flowers and greenery. At The 4 Kids we offer a full custom experience; choose from several finishes, including stone or concrete, and choose the exact size that will make your project a success. Dress up your restaurant, casino, resort, or office with this decorative planter.

The 4 Kids was born out of a desire to create high quality, one-of-a-kind park shelters and play environments that effectively appeal to children's natural curiosity and imagination.

All of our products are custom designed to work perfectly with your unique playground. Let us know how we can meet your specific needs by contacting our knowledgeable design specialists, today.

Contact Us

Ordering from The 4 Kids is easy, initial consultation & quote is free.
We can also provide you with design ideas and conceptual drawings.
We want your whole experience with The 4 Kids to be smooth & rewarding.

4400 Oneal St. Greenville, TX 75401

903.454.9237

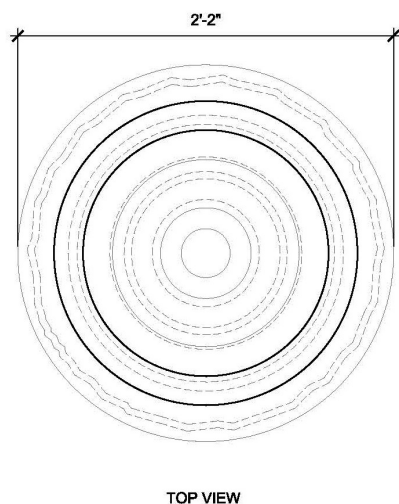
info@the4kids.com

www.the4kids.com

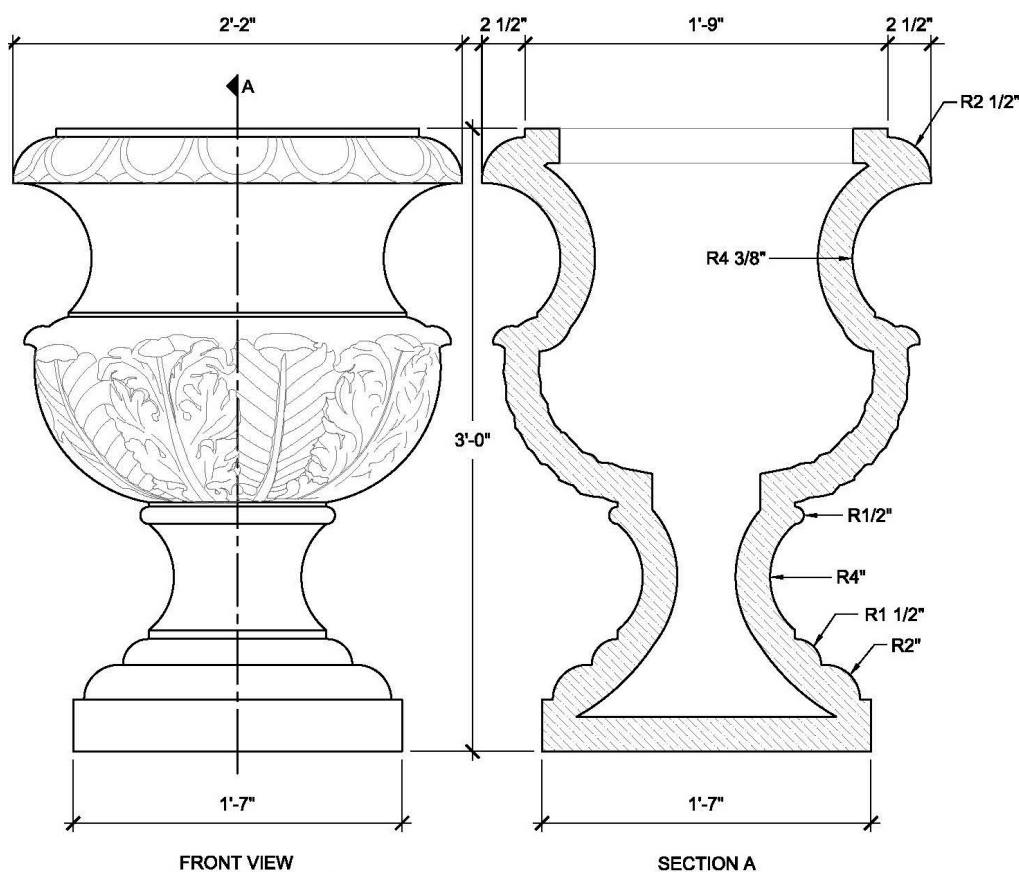
Let our team of experienced engineers and artists make your playground the destination for fun! We can create an exciting space where children's imaginations can run wild. A playscape where parents can feel secure and create lasting memories with their whole family.

Key Features

- Wide range of colors available
- Manufacturer-direct pricing
- Friendly customer service team ready to answer questions
- No-cost consultation and quote
- We love custom projects -- chat with a consultant to learn more



TOP VIEW



FRONT VIEW

SECTION A

Specifications

Age Range:
N/A

Dimensions:
26" L x 26" W x 36" H

Use Zone:
N/A

Mounting Options:
See Typical Installation Details

SIZE CHART

NAME	HEIGHT	WIDTH
SBOP 053.1	2'-0"	1'-5"
SBOP 053.2	2'-6"	1'-10"
SBOP 053.3	3'-0"	2'-2"
SBOP 053.4	3'-6"	2'-6"
SBOP 053.5	4'-0"	2'-11"

Contact Us

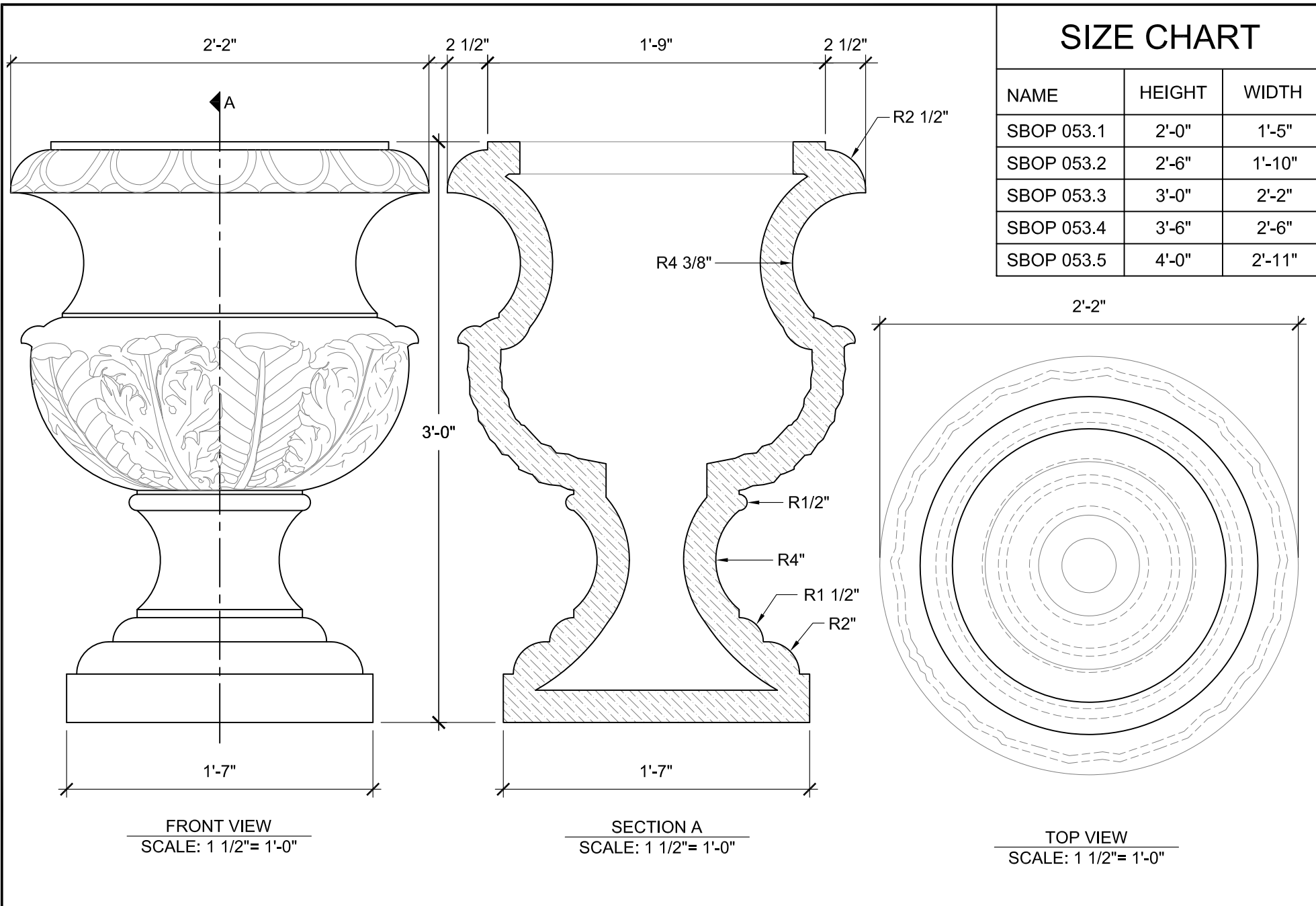
Ordering from The 4 Kids is easy, initial consultation & quote is free. We can also provide you with design ideas and conceptual drawings. We want your whole experience with The 4 Kids to be smooth & rewarding.

4400 Oneal St. Greenville, TX 75401

903.454.9237

info@the4kids.com

www.the4kids.com



ALL RIGHTS RESERVED. THIS DRAWING IS PROPERTY OF THE 4 KIDS INC. AND MAY BE USED ONLY WHEN UTILIZING THE 4 KIDS PRODUCTS. THE 4 KIDS INC. GENERAL TERMS AND CONDITIONS APPLY AND ARE INCORPORATE HERE IN BY REFERENCE. THIS DETAIL MAY NOT APPLY TO ALL CONDITIONS AND CONSTRUCTION SITUATIONS.



CUSTOM THEMED PLAYGROUNDS

4400 ONEAL STREET, GREENVILLE, TX 75401 PHONE 903.454.9237 FAX 903.454.3642

TITLE: SANDUSKY BOLLARD PLANTER

TYPE DWG: BOLLARD

SCALE: AS NOTED

DWG. SHEET: **SBOP-053**