



# Scarlet Macaw Pair Post Topper



The 4 Kids Scarlet Pair Post Topper turns an ordinary park utility post into an exciting way to add panache and flair to the décor plan for nature or jungle theme parks, playgrounds, family resorts, museums, or anywhere people come to have fun. Impressively realistic, this charming pair of elegant birds make ideal greeters as park goers pass through the entranceway and turn a ho hum walkway into a stroll through a colorful flock of charming birds. So meticulously detailed that admirers might expect them to take flight, the delicate looking feathered pair is actually made of a tough and durable construction material that makes the design very popular with park staff, since The 4 Kids post topper requires virtually no maintenance in all weather conditions and even the sea salt spray of the ocean. Created by an expert design team that includes playground artists and sculptors, The 4 Kids Scarlet Pair Post Topper is an awesome way to put the fun in functional and kick up the décor appeal at the park.

The 4 Kids was born out of a desire to create high quality, one-of-a-kind park shelters and play environments that effectively appeal to children's natural curiosity and imagination.

All of our products are custom designed to work perfectly with your unique playground. Let us know how we can meet your specific needs by contacting our knowledgeable design specialists, today.

## Contact Us

Ordering from The 4 Kids is easy, initial consultation & quote is free.  
We can also provide you with design ideas and conceptual drawings.  
We want your whole experience with The 4 Kids to be smooth & rewarding.

4400 Oneal St. Greenville, TX 75401

903.454.9237

[info@the4kids.com](mailto:info@the4kids.com)

[www.the4kids.com](http://www.the4kids.com)

## Why Use Us?

Let our team of experienced engineers and artists make your playground the destination for fun! We can create an exciting space where children's imaginations can run wild. A playscape where parents can feel secure and create lasting memories with their whole family.

## Key Features

- Customized designs according to specific client needs
- American made in Greenville, Texas
- Authentically replicated pair of colorful birds
- Team of expert playground artists, sculptors and designers
- Virtually maintenance free for years of high quality service

## Specifications

**Age Range:**  
N/A

**Dimensions:**  
21.5"L x 21.5"W x  
Post Height

**Use Zone:**  
N/A

**Mounting Options:**  
See Typical  
Installation Details



## Contact Us

Ordering from The 4 Kids is easy, initial consultation & quote is free. We can also provide you with design ideas and conceptual drawings. We want your whole experience with The 4 Kids to be smooth & rewarding.

4400 Oneal St. Greenville, TX 75401

903.454.9237

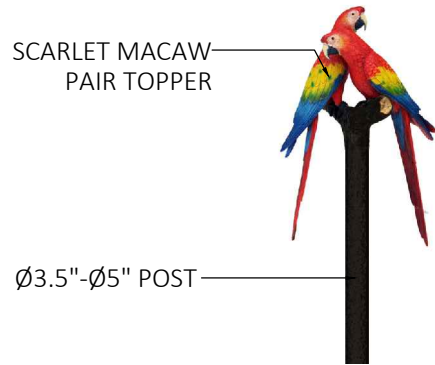
info@the4kids.com

www.the4kids.com

© 2014 The 4 Kids Inc. All rights reserved.

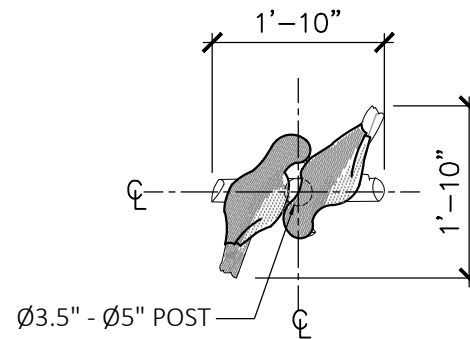
# SCARLET MACAW PAIR POST TOPPER

21.5" X 21.5" X POST HEIGHT



## PRODUCT VIEW

SCALE: NTS



## TOP VIEW

SCALE: 1/2" = 1'

ALL RIGHTS RESERVED. THIS DRAWING IS PROPERTY OF THE 4 KIDS INC. AND MAY BE USED ONLY WHEN UTILIZING THE 4 KIDS INC. GENERAL TERMS AND CONDITIONS APPLY AND ARE INCORPORATED HERE IN BY REFERENCE. THIS DETAIL MAY NOT APPLY TO ALL CONDITIONS AND CONSTRUCTION SITUATIONS.

ITEM ID: POS166

MATERIAL:

MOLD

APX. TTL. WEIGHT

TOTAL # OF ITEM:

- LBS. [ - KG ]

TOTAL SQ. FEET: - [ - sqm. ]

PROJECT:

TITLE: SCARLET MACAW PAIR POST TOPPER

REFERENCES:

COLOR & PER APPROVED SAMPLE  
TEXTURE: PER APPROVED SAMPLE



**CUSTOM THEMED PLAYGROUNDS**

4400 ONEAL STREET, GREENVILLE, TX 75402 PHONE 903.454.9237 FAX 903.454.3642

TYPE DWG:

DRAWN BY: ABS

DATE:

SCALE: AS NOTED

SHEET:

DWG. SHEET: