

Scioto Bollard Planter



The Scioto Bollard Planter is the ideal solution when you need to boost both visual appeal and safety. Whether you're calming traffic or adding greenery to a plaza, this planter will do the job. It's constructed from GFRC (glass fiber reinforced concrete), a super-strong composite used in architectural products. Our experienced designers will customize the size to suit your site. Need a bollard planter about 2 feet high? We can do that. How about 4 feet high or more? We can do that too. Tell our consultants what you need and we'll design and build the solution.

The 4 Kids was born out of a desire to create high quality, one-of-a-kind park shelters and play environments that effectively appeal to children's natural curiosity and imagination.

All of our products are custom designed to work perfectly with your unique playground. Let us know how we can meet your specific needs by contacting our knowledgeable design specialists, today.

Contact Us

Ordering from The 4 Kids is easy, initial consultation & quote is free.
We can also provide you with design ideas and conceptual drawings.
We want your whole experience with The 4 Kids to be smooth & rewarding.

4400 Oneal St. Greenville, TX 75401

903.454.9237

info@the4kids.com

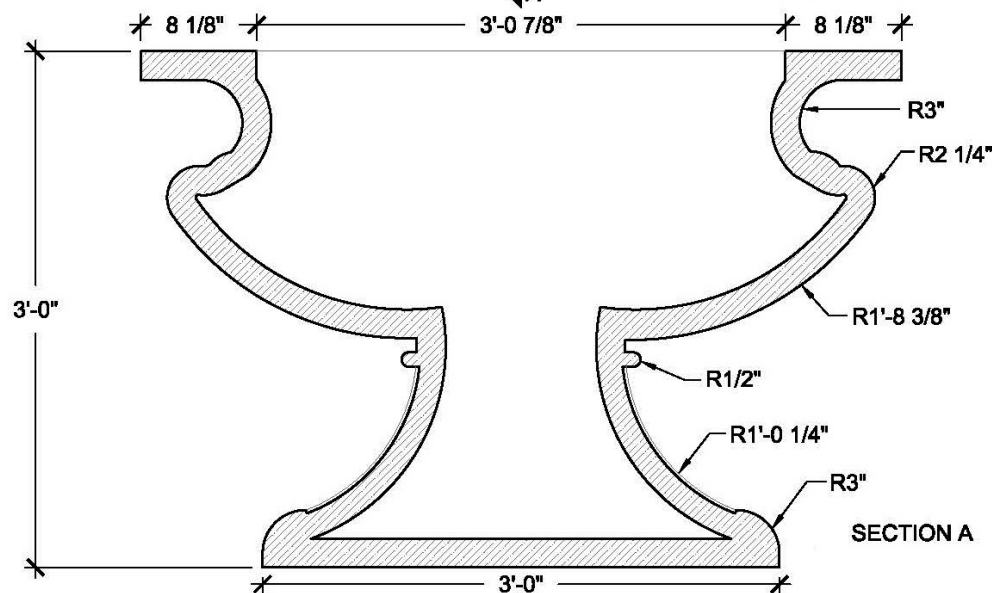
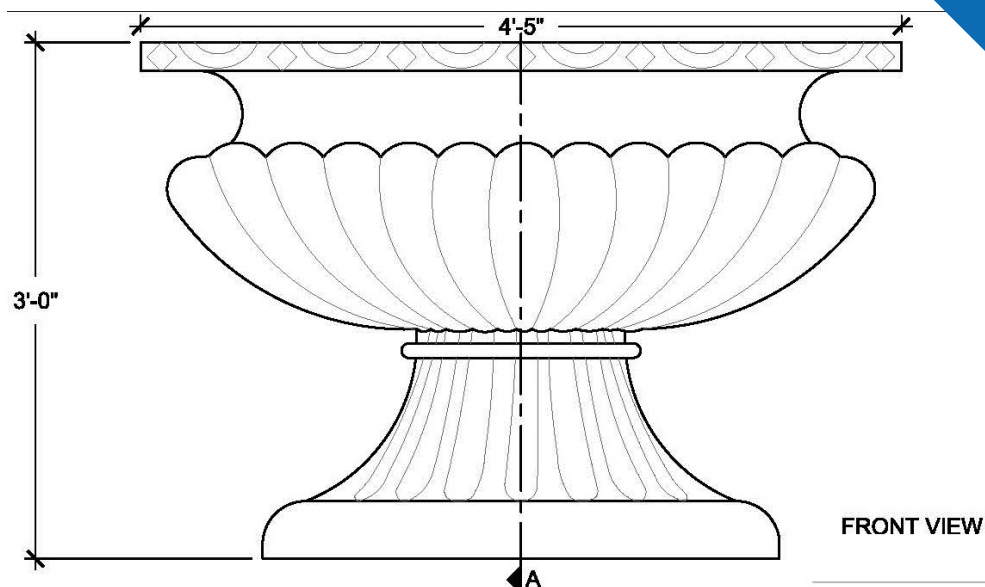
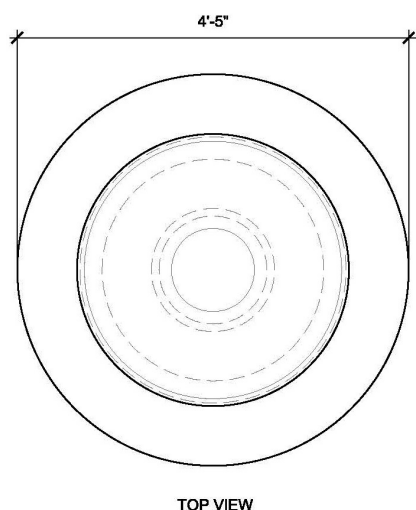
www.the4kids.com

Why Use Us?

Let our team of experienced engineers and artists make your playground the destination for fun! We can create an exciting space where children's imaginations can run wild. A playscape where parents can feel secure and create lasting memories with their whole family.

Key Features

- Many color options and color matching available
- Full line of American-made site amenities
- Manufacturer-direct prices
- Design assistance, material samples, and CAD drawings available
- No-cost, no-obligation project quote



Specifications

Age Range:
N/A

Dimensions:
53"L x 53"W x 36"H

Use Zone:
N/A

Mounting Options:
See Typical
Installation Details

SIZE CHART

NAME	HEIGHT	WIDTH
SBOP 046.1	2'-0"	2'-11"
SBOP 046.2	2'-6"	3'-8"
SBOP 046.3	3'-0"	4'-5"
SBOP 046.4	3'-6"	5'-2"
SBOP 046.5	4'-0"	5'-11"

Contact Us

Ordering from The 4 Kids is easy, initial consultation & quote is free. We can also provide you with design ideas and conceptual drawings. We want your whole experience with The 4 Kids to be smooth & rewarding.

4400 Oneal St. Greenville, TX 75401

903.454.9237

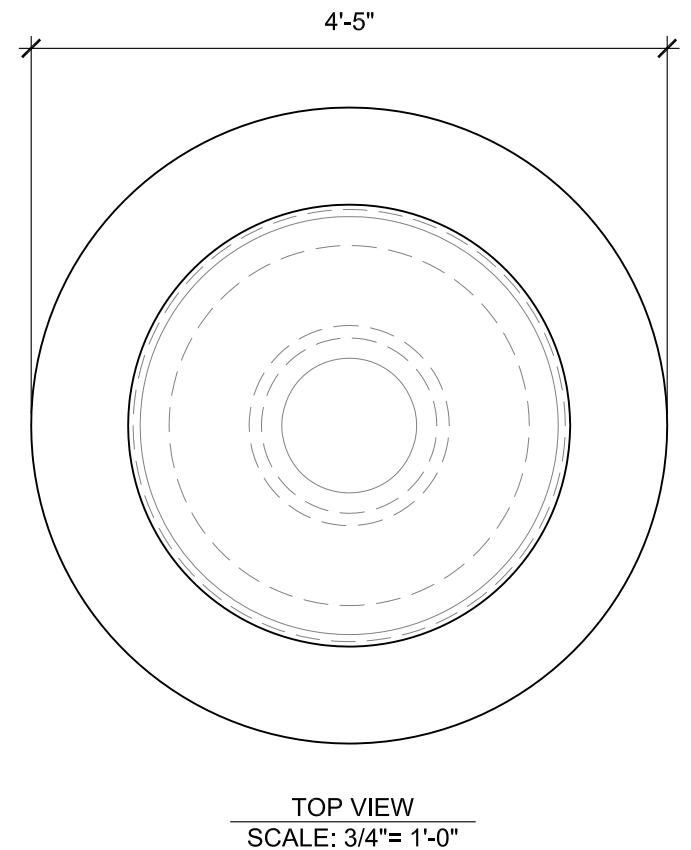
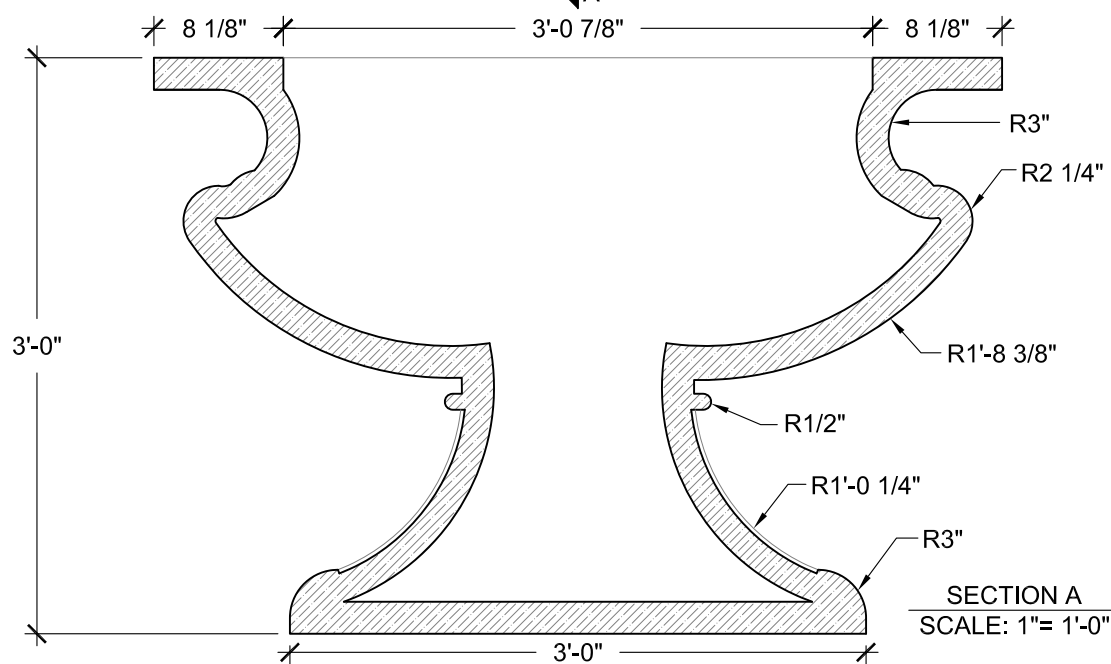
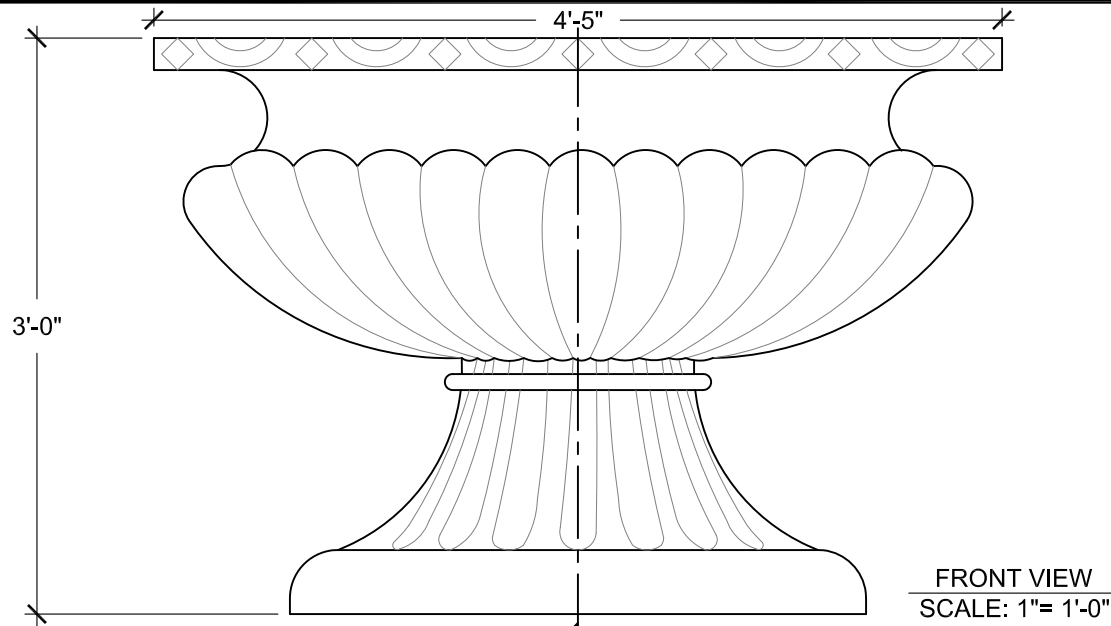
info@the4kids.com

www.the4kids.com

© 2014 The 4 Kids Inc. All rights reserved.

SIZE CHART

NAME	HEIGHT	WIDTH
SBOP 046.1	2'-0"	2'-11"
SBOP 046.2	2'-6"	3'-8"
SBOP 046.3	3'-0"	4'-5"
SBOP 046.4	3'-6"	5'-2"
SBOP 046.5	4'-0"	5'-11"



ALL RIGHTS RESERVED. THIS DRAWING IS PROPERTY OF THE 4 KIDS INC. AND MAY BE USED ONLY WHEN UTILIZING THE 4 KIDS PRODUCTS. THE 4 KIDS INC. GENERAL TERMS AND CONDITIONS APPLY AND ARE INCORPORATE HERE IN BY REFERENCE. THIS DETAIL MAY NOT APPLY TO ALL CONDITIONS AND CONSTRUCTION SITUATIONS.



CUSTOM THEMED PLAYGROUNDS

4400 ONEAL STREET, GREENVILLE, TX 75401 PHONE 903.454.9237 FAX 903.454.3642

TITLE: SCIOTO BOLLARD PLANTER

TYPE DWG: BOLLARD

SCALE: AS NOTED

DWG. SHEET: **SBOP-046**