

Seneca Bollard Planter



From restaurants to casinos to resorts, our Seneca Bollard Planter adds a classical touch to any property. The grape design and distinct goat's head make this planter especially well-suited for venues where people want to relax and enjoy life. Constructed from glass fiber reinforced concrete (GFRC), this bollard is sturdy enough to display indoors or outdoors. It resists impact, corrosion, and nearly any weather condition. Its strength makes this bollard planter ideal for traffic diversion or parking prevention, but it's just as functional as a showcase for decorative accents, flowers, or greenery.

The 4 Kids was born out of a desire to create high quality, one-of-a-kind park shelters and play environments that effectively appeal to children's natural curiosity and imagination.

All of our products are custom designed to work perfectly with your unique playground. Let us know how we can meet your specific needs by contacting our knowledgeable design specialists, today.

Contact Us

Ordering from The 4 Kids is easy, initial consultation & quote is free.
We can also provide you with design ideas and conceptual drawings.
We want your whole experience with The 4 Kids to be smooth & rewarding.

4400 Oneal St. Greenville, TX 75401

903.454.9237

info@the4kids.com

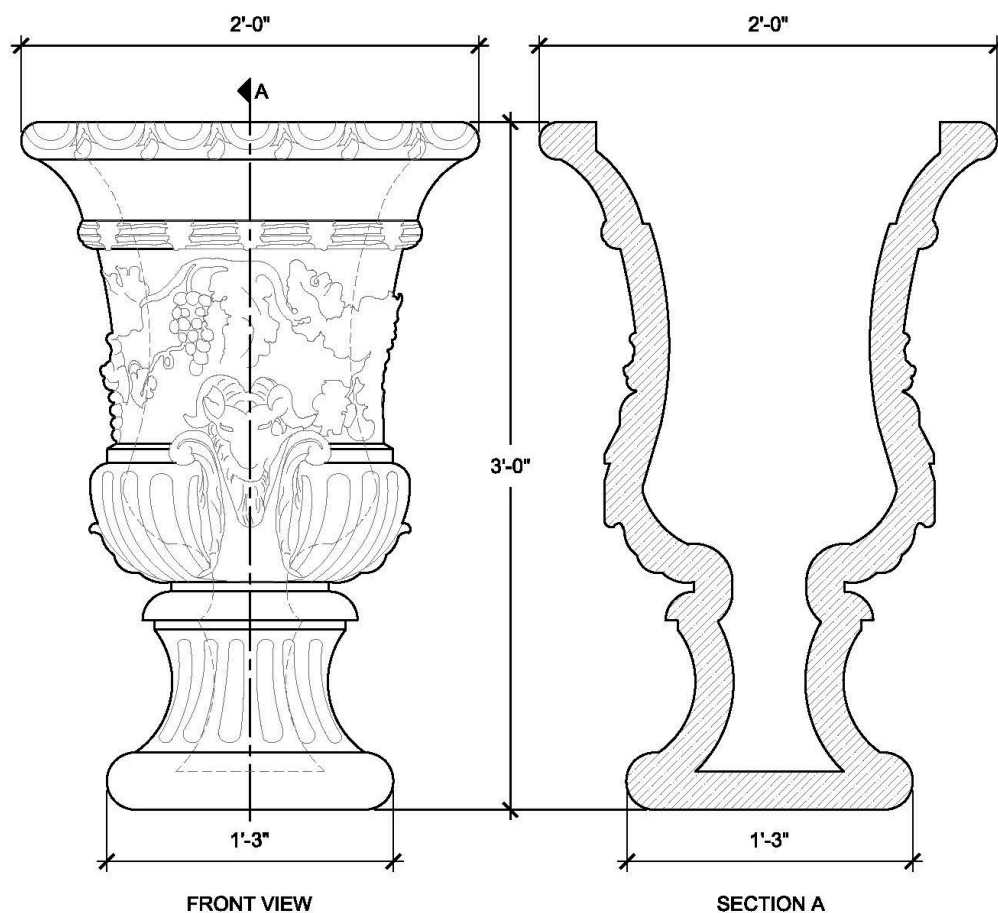
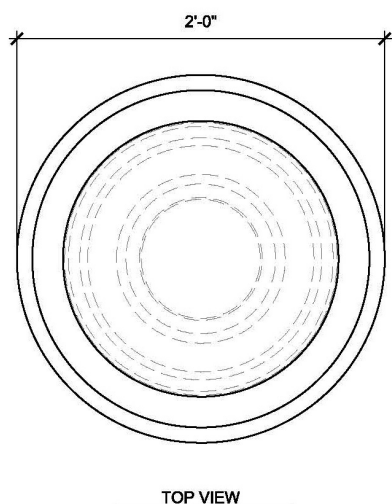
www.the4kids.com

Why Use Us?

Let our team of experienced engineers and artists make your playground the destination for fun! We can create an exciting space where children's imaginations can run wild. A playscape where parents can feel secure and create lasting memories with their whole family.

Key Features

- Offered in several finishes, like concrete and stone
- Wide range of color options as well as color matching services
- Customized designs available
- Free, no-obligation quote



Specifications

Age Range:
N/A

Dimensions:
24\"L x 24\"W x 36\"H

Use Zone:
N/A

Mounting Options:
See Typical
Installation Details

SIZE CHART

NAME	HEIGHT	WIDTH
SBOP 047.1	2'-0"	1'-4"
SBOP 047.2	2'-6"	1'-8"
SBOP 047.3	3'-0"	2'-0"
SBOP 047.4	3'-6"	2'-4"
SBOP 047.5	4'-0"	2'-8"

Contact Us

Ordering from The 4 Kids is easy, initial consultation & quote is free. We can also provide you with design ideas and conceptual drawings. We want your whole experience with The 4 Kids to be smooth & rewarding.

4400 Oneal St. Greenville, TX 75401

903.454.9237

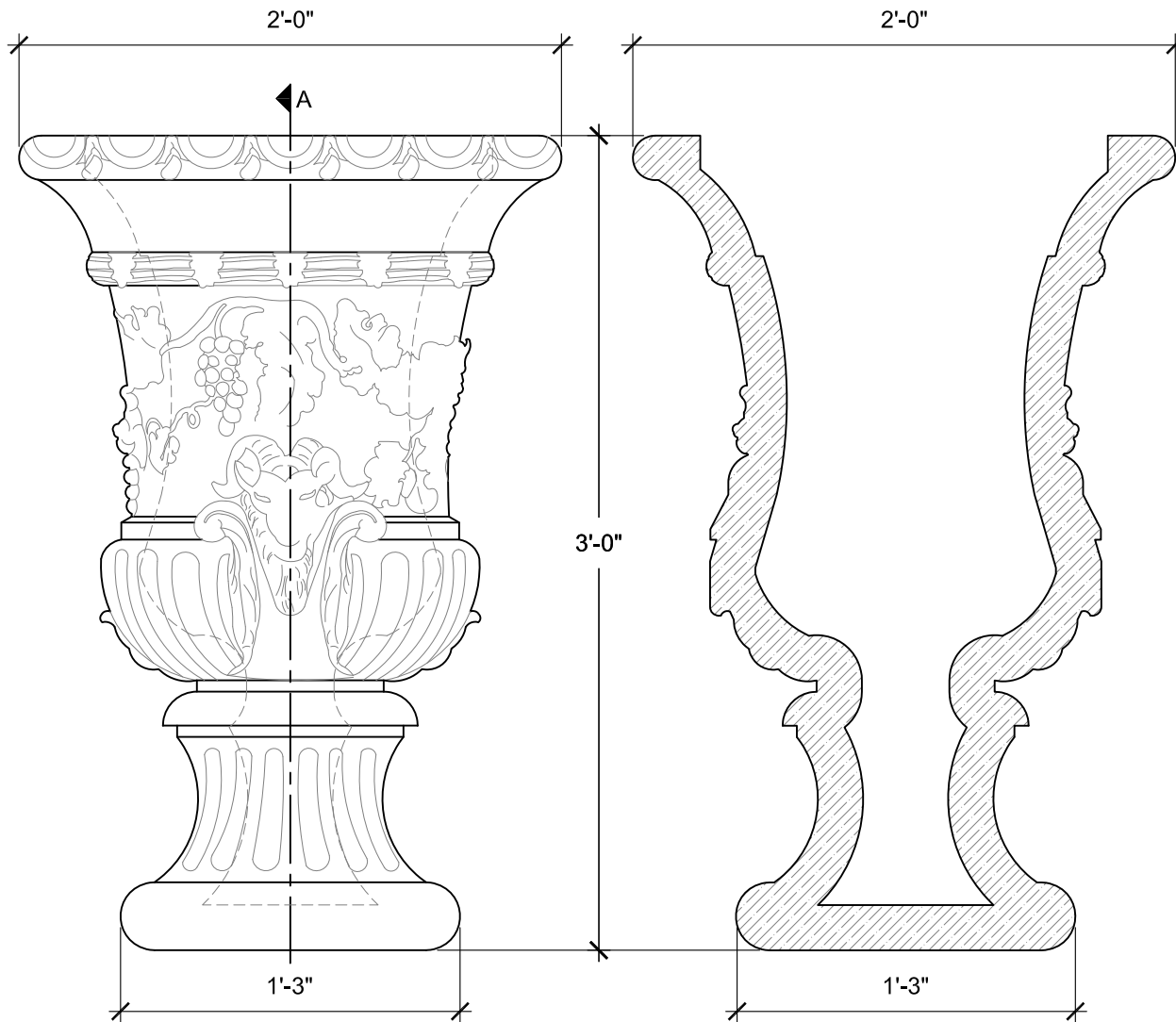
info@the4kids.com

www.the4kids.com

© 2014 The 4 Kids Inc. All rights reserved.

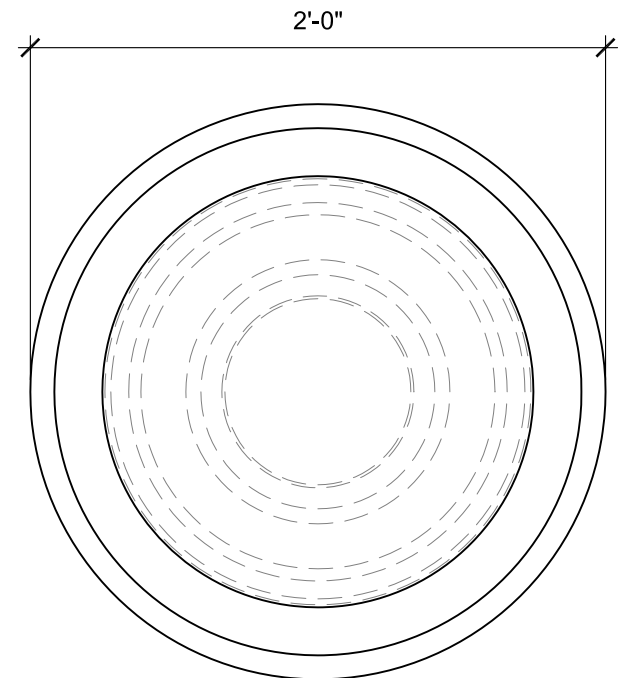
SIZE CHART

NAME	HEIGHT	WIDTH
SBOP 047.1	2'-0"	1'-4"
SBOP 047.2	2'-6"	1'-8"
SBOP 047.3	3'-0"	2'-0"
SBOP 047.4	3'-6"	2'-4"
SBOP 047.5	4'-0"	2'-8"



FRONT VIEW
SCALE: 1 1/2" = 1'-0"

SECTION A
SCALE: 1 1/2" = 1'-0"



TOP VIEW
SCALE: 1 1/2" = 1'-0"

ALL RIGHTS RESERVED. THIS DRAWING IS PROPERTY OF THE 4 KIDS INC. AND MAY BE USED ONLY WHEN UTILIZING THE 4 KIDS PRODUCTS. THE 4 KIDS INC. GENERAL TERMS AND CONDITIONS APPLY AND ARE INCORPORATE HERE IN BY REFERENCE. THIS DETAIL MAY NOT APPLY TO ALL CONDITIONS AND CONSTRUCTION SITUATIONS.



CUSTOM THEMED PLAYGROUNDS

4400 ONEAL STREET, GREENVILLE, TX 75401 PHONE 903.454.9237 FAX 903.454.3642

TITLE: SENECA BOLLARD PLANTER

TYPE DWG: BOLLARD

SCALE: AS NOTED

DWG. SHEET: **SBOP-047**