

Seren Illuminated Bollard



The Seren Illuminated Bollard is a classy way to light pathways, mark entrances, or prohibit vehicle traffic. Its timeless design makes it a fantastic choice for a range of sites, from schools to office buildings to hospitals. We've constructed this from high-quality material developed to resist impact and virtually any weather condition. This bollard delivers street-level illumination that makes sites more secure as well. At The 4 Kids you always get a truly custom experience--we can customize size, color, and finish to create the perfect solution for your property.

The 4 Kids was born out of a desire to create high quality, one-of-a-kind park shelters and play environments that effectively appeal to children's natural curiosity and imagination.

All of our products are custom designed to work perfectly with your unique playground. Let us know how we can meet your specific needs by contacting our knowledgeable design specialists, today.

Contact Us

Ordering from The 4 Kids is easy, initial consultation & quote is free.
We can also provide you with design ideas and conceptual drawings.
We want your whole experience with The 4 Kids to be smooth & rewarding.

4400 Oneal St. Greenville, TX 75401

903.454.9237

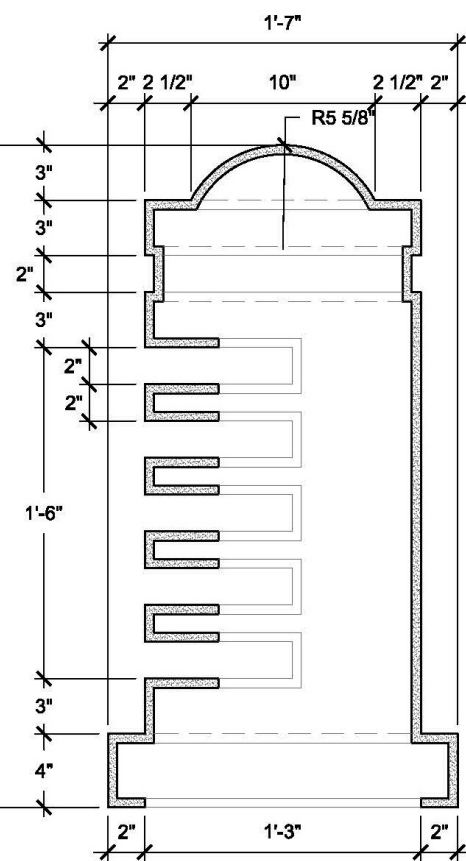
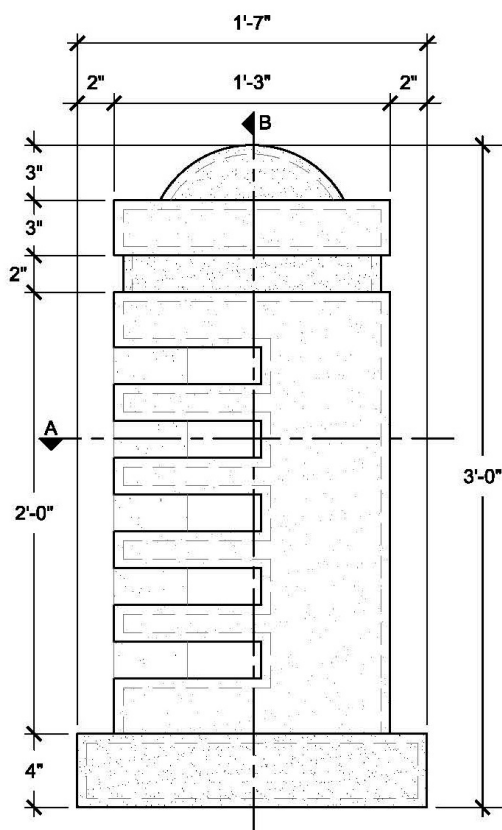
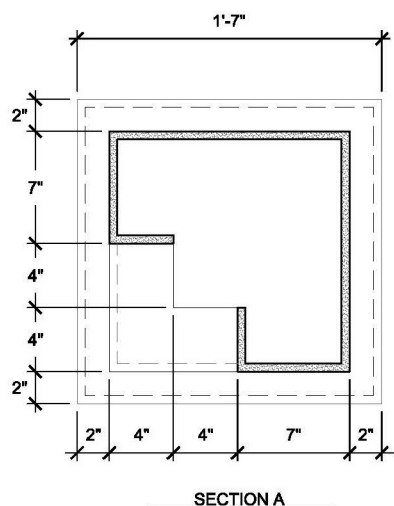
info@the4kids.com

www.the4kids.com

Let our team of experienced engineers and artists make your playground the destination for fun! We can create an exciting space where children's imaginations can run wild. A playscape where parents can feel secure and create lasting memories with their whole family.

Key Features

- Can be lighted using the source of your choice--ask our consultants for more info
- Made in America
- Quick turnaround on most projects
- No-cost, no-hassle consultation and quote



FRONT VIEW

SECTION B

Specifications

Age Range:
N/A

Dimensions:
19"L x 19"W X 36"H

Use Zone:
N/A

Mounting Options:
See Typical
Installation Details

SIZE CHART

NAME	HEIGHT	WIDTH
SBOP 010.1	2'-0"	1'-1"
SBOP 010.2	2'-6"	1'-4"
SBOP 010.3	3'-0"	1'-7"
SBOP 010.4	3'-6"	1'-10"
SBOP 010.5	4'-0"	2'-1"

Contact Us

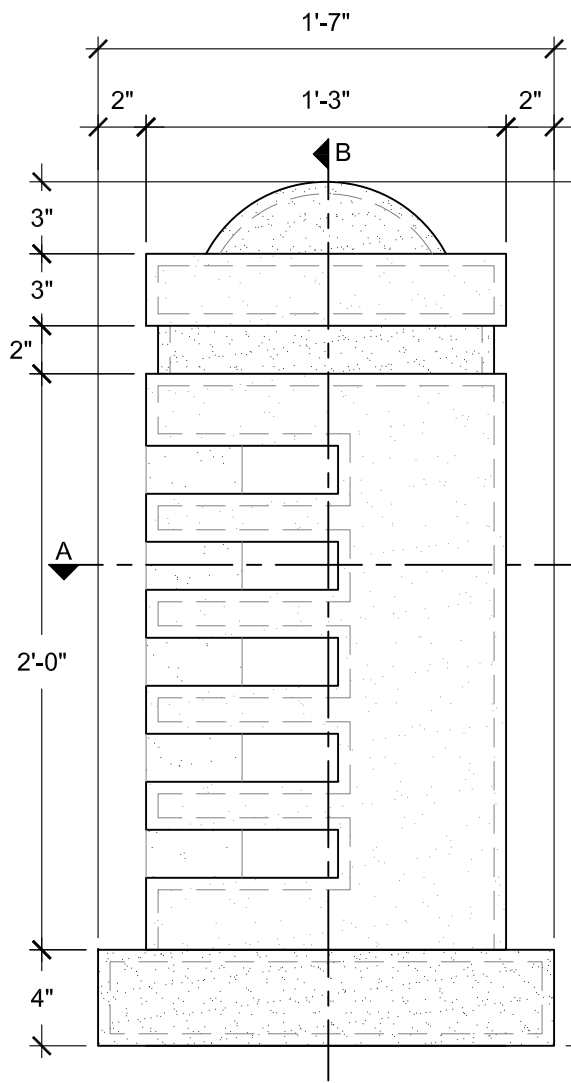
Ordering from The 4 Kids is easy, initial consultation & quote is free. We can also provide you with design ideas and conceptual drawings. We want your whole experience with The 4 Kids to be smooth & rewarding.

4400 Oneal St. Greenville, TX 75401

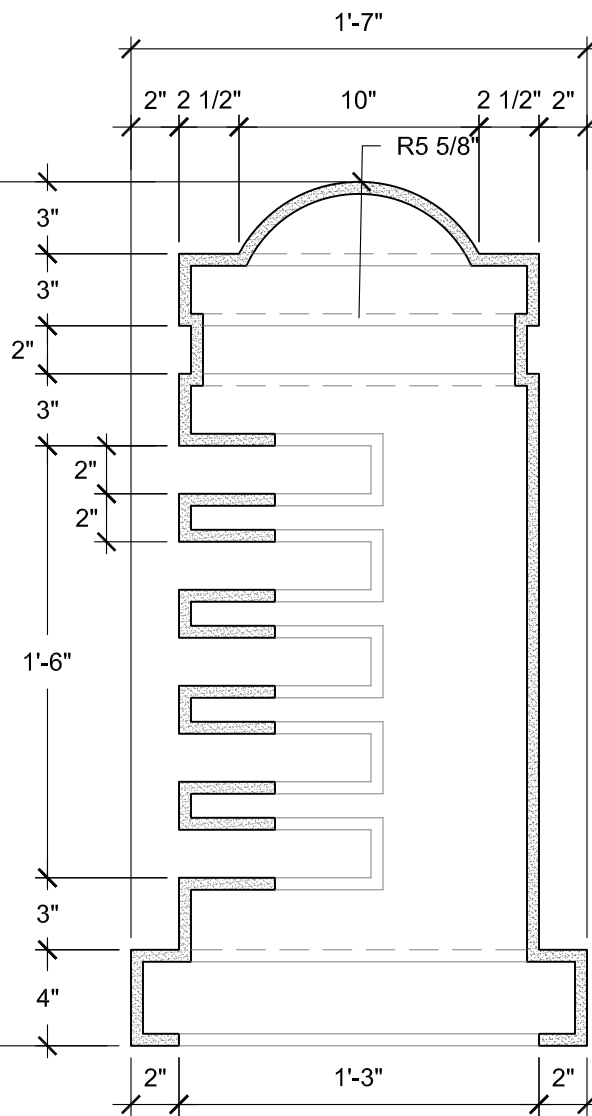
903.454.9237

info@the4kids.com

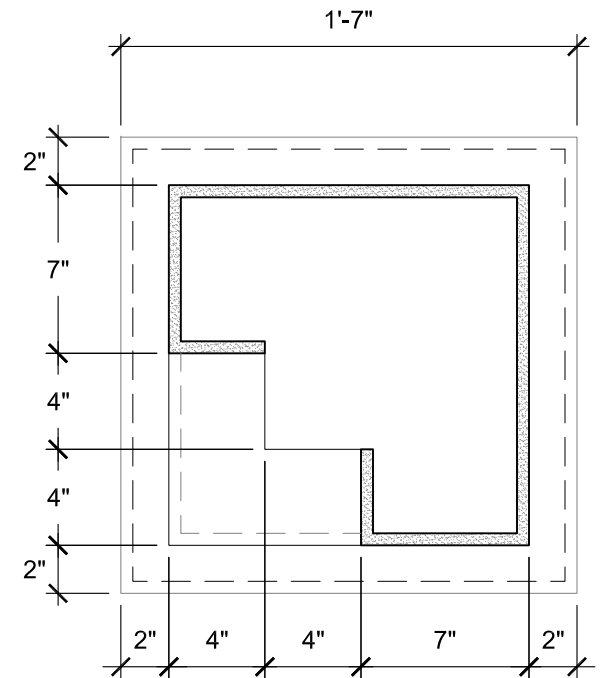
www.the4kids.com



FRONT VIEW
SCALE: 1 1/2" = 1'-0"



SECTION B
SCALE: 1 1/2" = 1'-0"



SECTION A
SCALE: 1 1/2" = 1'-0"

SIZE CHART

NAME	HEIGHT	WIDTH
SBOP 010.1	2'-0"	1'-1"
SBOP 010.2	2'-6"	1'-4"
SBOP 010.3	3'-0"	1'-7"
SBOP 010.4	3'-6"	1'-10"
SBOP 010.5	4'-0"	2'-1"

ALL RIGHTS RESERVED. THIS DRAWING IS PROPERTY OF THE 4 KIDS INC. AND MAY BE USED ONLY WHEN UTILIZING THE 4 KIDS PRODUCTS. THE 4 KIDS INC. GENERAL TERMS AND CONDITIONS APPLY AND ARE INCORPORATE HERE IN BY REFERENCE. THIS DETAIL MAY NOT APPLY TO ALL CONDITIONS AND CONSTRUCTION SITUATIONS.



CUSTOM THEMED PLAYGROUNDS

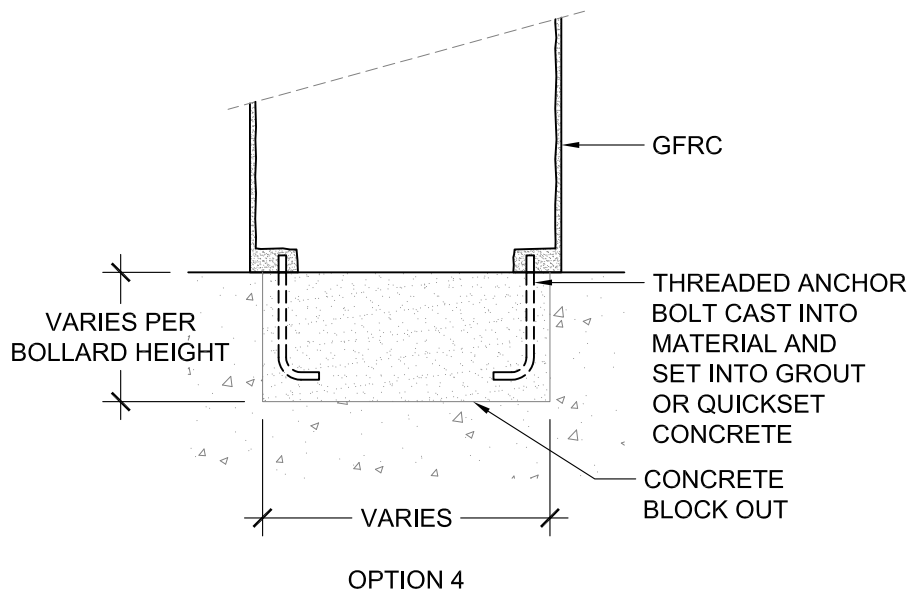
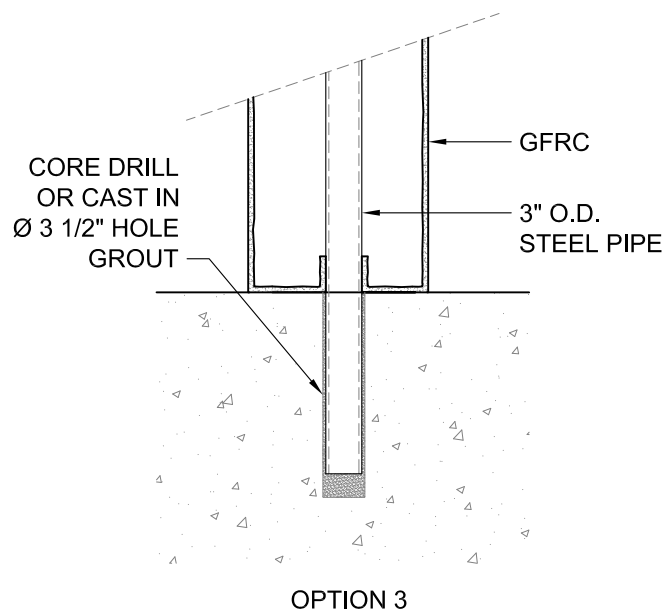
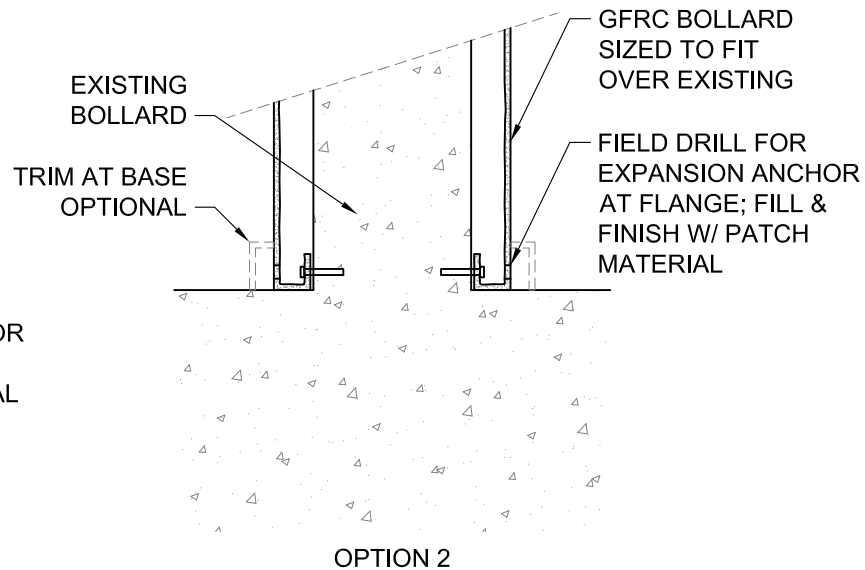
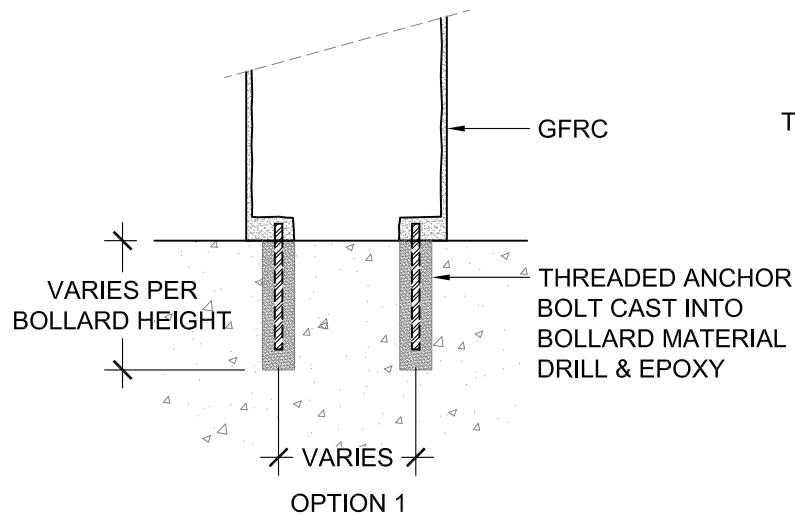
4400 ONEAL STREET, GREENVILLE, TX 75401 PHONE 903.454.9237 FAX 903.454.3642

TITLE: SEREN BOLLARD

TYPE DWG: BOLLARD

SCALE: AS NOTED

DWG. SHEET: **SBOP-010**



ALL RIGHTS RESERVED. THIS DRAWING IS PROPERTY OF THE 4 KIDS INC. AND MAY BE USED ONLY WHEN UTILIZING THE 4 KIDS PRODUCTS. THE 4 KIDS INC. GENERAL TERMS AND CONDITIONS APPLY AND ARE INCORPORATE HERE IN BY REFERENCE. THIS DETAIL MAY NOT APPLY TO ALL CONDITIONS AND CONSTRUCTION SITUATIONS.



CUSTOM THEMED PLAYGROUNDS

4400 ONEAL STREET, GREENVILLE, TX 75401 PHONE 903.454.9237 FAX 903.454.3642

TITLE: BOLLARD

TYPE DWG: MOUNTING

SCALE: AS NOTED

DWG. SHEET: **SBSP-M1**