



Shelby Bollard Planter



The Shelby Bollard Planter is a multifunctional site amenity that offers eye appeal and added safety. It's crafted from sturdy glass fiber reinforced concrete (GFRC), which is known for its strength as well as its resistance to impact, making it an ideal option for prohibiting parking, diverting traffic, or defining off-limits areas. The grapevine design makes this planter a lovely choice for restaurants and cafes, but it's also perfect for public gardens and resorts. We will customize this to any size, no matter how small or large.

The 4 Kids was born out of a desire to create high quality, one-of-a-kind park shelters and play environments that effectively appeal to children's natural curiosity and imagination.

All of our products are custom designed to work perfectly with your unique playground. Let us know how we can meet your specific needs by contacting our knowledgeable design specialists, today.

Contact Us

Ordering from The 4 Kids is easy, initial consultation & quote is free.
We can also provide you with design ideas and conceptual drawings.
We want your whole experience with The 4 Kids to be smooth & rewarding.

4400 Oneal St. Greenville, TX 75401

903.454.9237

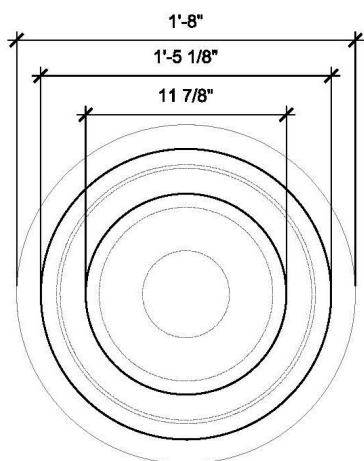
info@the4kids.com

www.the4kids.com

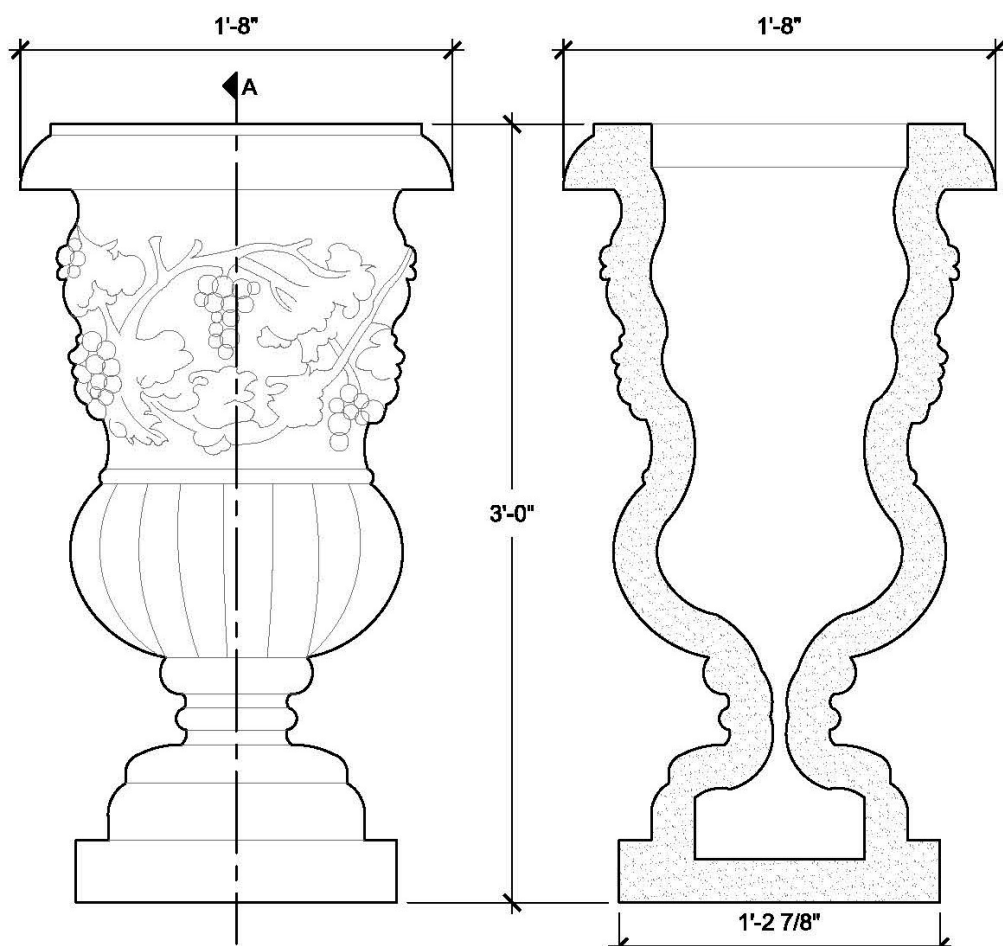
Let our team of experienced engineers and artists make your playground the destination for fun! We can create an exciting space where children's imaginations can run wild. A playscape where parents can feel secure and create lasting memories with their whole family.

Key Features

- Offered in many colors, including white (shown)
- Available in several finishes, including concrete, stone, and realistic
- Manufacturer-direct pricing
- Experts in site amenities on hand to answer questions
- Project quotes are free



TOP VIEW



FRONT VIEW

SECTION A

Specifications

Age Range:
N/A

Dimensions:
20"L x 20"W x 36"H

Use Zone:
N/A

Mounting Options:
See Typical Installation Details

SIZE CHART

NAME	HEIGHT	WIDTH
SBOP 067.1	2'-0"	1'-1"
SBOP 067.2	2'-6"	1'-5"
SBOP 067.3	3'-0"	1'-8"
SBOP 067.4	3'-6"	1'-11"
SBOP 067.5	4'-0"	2'-3"

Contact Us

Ordering from The 4 Kids is easy, initial consultation & quote is free. We can also provide you with design ideas and conceptual drawings. We want your whole experience with The 4 Kids to be smooth & rewarding.

4400 Oneal St. Greenville, TX 75401

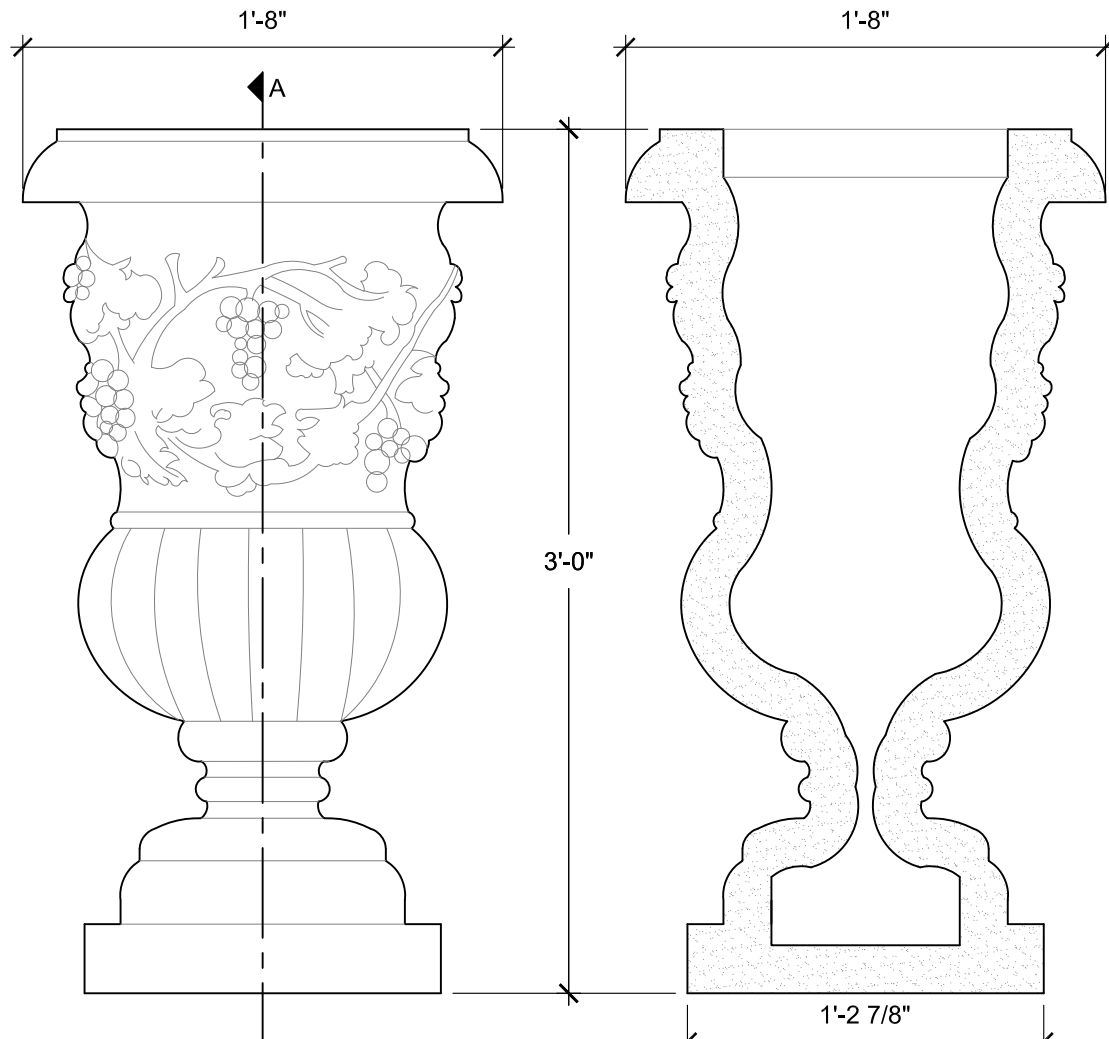
903.454.9237

info@the4kids.com

www.the4kids.com

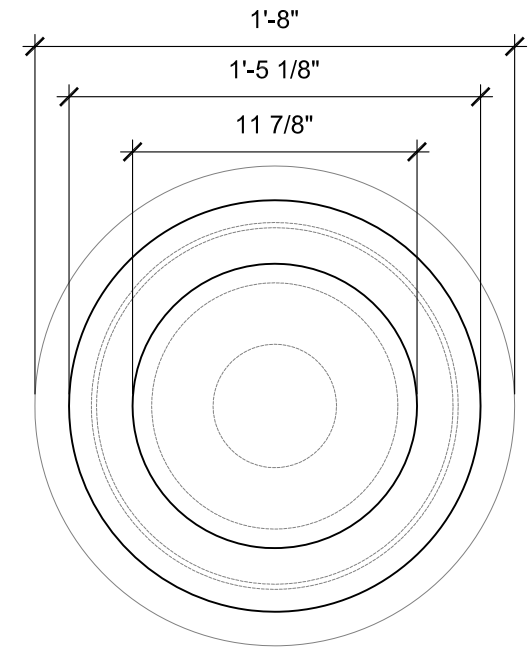
SIZE CHART

NAME	HEIGHT	WIDTH
SBOP 067.1	2'-0"	1'-1"
SBOP 067.2	2'-6"	1'-5"
SBOP 067.3	3'-0"	1'-8"
SBOP 067.4	3'-6"	1'-11"
SBOP 067.5	4'-0"	2'-3"



FRONT VIEW
SCALE: 1 1/2" = 1'-0"

SECTION A
SCALE: 1 1/2" = 1'-0"



TOP VIEW
SCALE: 1 1/2" = 1'-0"

ALL RIGHTS RESERVED. THIS DRAWING IS PROPERTY OF THE 4 KIDS INC. AND MAY BE USED ONLY WHEN UTILIZING THE 4 KIDS PRODUCTS. THE 4 KIDS INC. GENERAL TERMS AND CONDITIONS APPLY AND ARE INCORPORATE HERE IN BY REFERENCE. THIS DETAIL MAY NOT APPLY TO ALL CONDITIONS AND CONSTRUCTION SITUATIONS.

THE 4 KIDS CUSTOM THEMED PLAYGROUNDS
 4400 ONEAL STREET, GREENVILLE, TX 75401 PHONE 903.454.9237 FAX 903.454.3642

TITLE: SHELBY BOLLARD PLANTER TYPE DWG: SECURITY BOLLARD
 SCALE: AS NOTED DWG. SHEET: **SBOP-067**