

# Shield Steppers



In a world of castles, crowns, queens and kings, a kid would expect to see a brightly decorated shield fit for a brave knight. In a Medieval Castle theme park or playground, The 4 Kids awesomely designed Shield Steppers allow children to exercise their imaginations while building their balance skills in the most fun way ever. Bearing the emblems of knights of old, the steppers offer park visitors an interesting path to navigate their way through theme park or playground, or can be used as any number of décor elements for wall display or as hanging art. The creative team at The 4 Kids makes safety the number one priority, with fun a close second. Finally, The 4 Kids playground sculptors, designers and engineers ensure that while the fun factor is high in all their designs, maintenance requirements are very low. Constructed with glass fiber reinforced concrete, known as the smart concrete, these steppers are heavy duty and weather resistant in all conditions, perfect for foot traffic at any park or playground. These cool Shield Steppers can actually keep you cool when featured as a water park addition. Water bubbles from the center for children to play with.

The 4 Kids was born out of a desire to create high quality, one-of-a-kind park shelters and play environments that effectively appeal to children's natural curiosity and imagination.

All of our products are custom designed to work perfectly with your unique playground. Let us know how we can meet your specific needs by contacting our knowledgeable design specialists, today.

## Contact Us

Ordering from The 4 Kids is easy, initial consultation & quote is free. We can also provide you with design ideas and conceptual drawings. We want your whole experience with The 4 Kids to be smooth & rewarding.

4400 ONeal St. Greenville, TX 75401

903.454.9237

info@the4kids.com

www.the4kids.com

Let our team of experienced engineers and artists make your playground the destination for fun! We can create an exciting space where children's imaginations can run wild. A playscape where parents can feel secure and create lasting memories with their whole family.

## Key Features

- Customized steppers for size, color and design
- These Shields can be made into a Water Park Features
- Expert team of talented playground artists and engineers
- Ongoing support for projects and free initial consultations
- Designed for themed parks, playgrounds, children's fun centers
- High fun, low maintenance

## Specifications

### Age Range:

N/A

### Dimensions:

36"D x 5"H

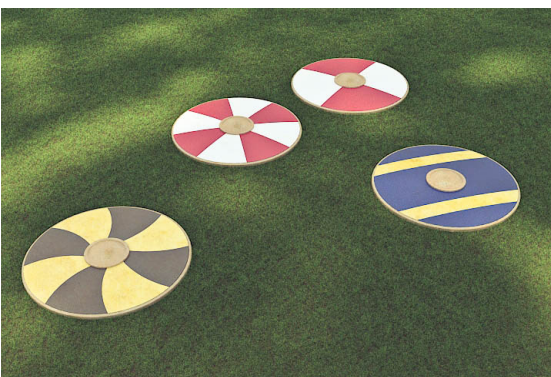
### Use Zone:

15' x 15'

### Mounting Options:

Installation Option 1

Installation Option 2



## Contact Us

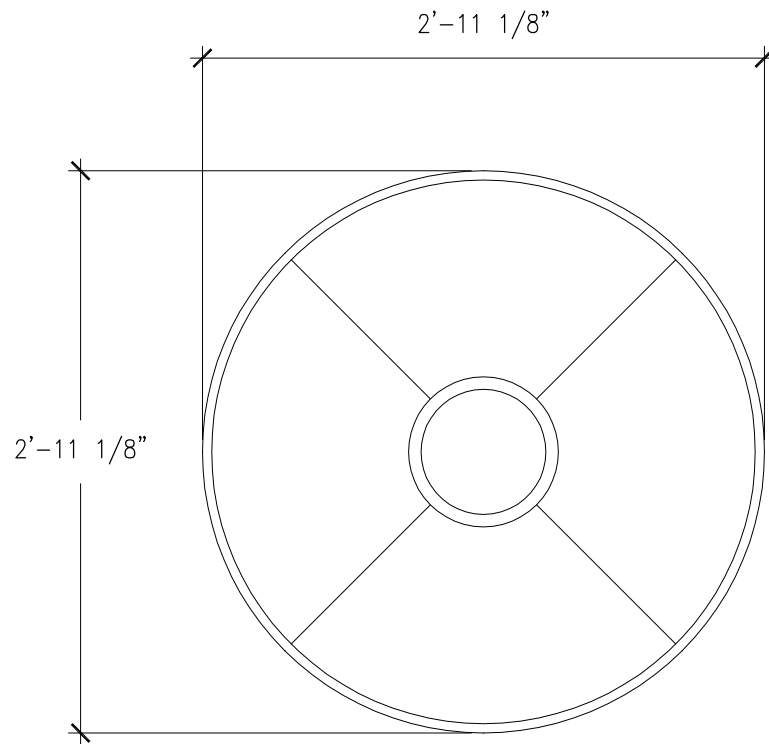
Ordering from The 4 Kids is easy, initial consultation & quote is free. We can also provide you with design ideas and conceptual drawings. We want your whole experience with The 4 Kids to be smooth & rewarding.

4400 Oneal St. Greenville, TX 75401

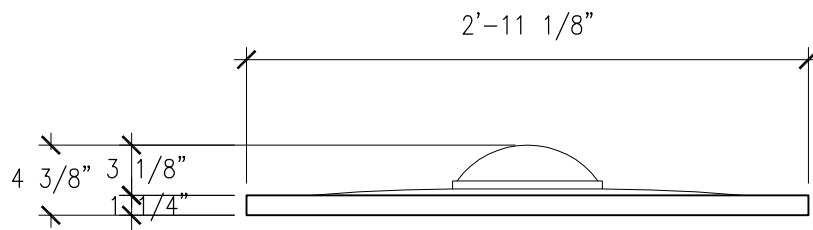
903.454.9237

[info@the4kids.com](mailto:info@the4kids.com)

[www.the4kids.com](http://www.the4kids.com)



TOP VIEW  
SCALE: 1" = 1'-0"



FRONT VIEW  
SCALE: 1" = 1'-0"

ALL RIGHTS RESERVED. THIS DRAWING IS PROPERTY OF STROMBERG ARCHITECTURAL PRODUCTS INC. AND MAY BE USED ONLY WHEN UTILIZING STROMBERG ARCHITECTURAL PRODUCTS. STROMBERG ARCHITECTURAL PRODUCTS INC. GENERAL TERMS AND CONDITIONS APPLY AND ARE INCORPORATE HERE IN BY REFERENCE. THIS DETAIL MAY NOT APPLY TO ALL CONDITIONS AND CONSTRUCTION SITUATIONS.



**CUSTOM THEMED PLAYGROUNDS**

4400 ONEAL STREET, GREENVILLE, TX 75401 PHONE 903.454.9237 FAX 903.454.3642

TITLE: SHIELD STEPPER

TYPE DWG: DETAIL

SCALE: AS NOTED

DWG. SHEET: **PLW.1.1.F.1.R0**