

Sign 10



This unique signage structure from The 4 Kids includes simple two sets of stacked blocks flanking the text area of the sign, ideal at entrances to identify company locations, at theme parks to welcome visitors, or to provide directional information for universities, libraries, shopping malls, even ballparks and military installations. The possible locations for this exceptional sign display are endless, from schools to shrines, daycare centers to senior centers, restaurants to rest areas and hundreds more. The first opportunity to make that important first impression, proper signage is vital and the experts at The 4 Kids produce superior designs that inspire a level of trust for property owners who depend on quality as well as good looks. Requiring virtually no maintenance in all weather conditions, the sign structure is crafted with glass fiber reinforced concrete, known in the industry as the smart concrete for its superior finish and durability, which even resists damage from sea salt spray. Available at 3,4,5 and 6 feet tall, the structure can also be mounted on a sturdy brick base for an extra foot and 3 inches of height.

The 4 Kids was born out of a desire to create high quality, one-of-a-kind park shelters and play environments that effectively appeal to children's natural curiosity and imagination.

All of our products are custom designed to work perfectly with your unique playground. Let us know how we can meet your specific needs by contacting our knowledgeable design specialists, today.

Contact Us

Ordering from The 4 Kids is easy, initial consultation & quote is free.
We can also provide you with design ideas and conceptual drawings.
We want your whole experience with The 4 Kids to be smooth & rewarding.

4400 Oneal St. Greenville, TX 75401

903.454.9237

info@the4kids.com

www.the4kids.com

Why Use Us?

Let our team of experienced engineers and artists make your playground the destination for fun! We can create an exciting space where children's imaginations can run wild. A playscape where parents can feel secure and create lasting memories with their whole family.

Key Features

- Sign designs are customized for client needs
- Perfect chance to create a good first impression
- Possibilities for placement are endless
- Made in the USA
- Sturdy and virtually maintenance free

Specifications

Dimensions:
3', 4', 5', 6'

Mounting Options:
See Typical
Installation Details



Contact Us

Ordering from The 4 Kids is easy, initial consultation & quote is free. We can also provide you with design ideas and conceptual drawings. We want your whole experience with The 4 Kids to be smooth & rewarding.

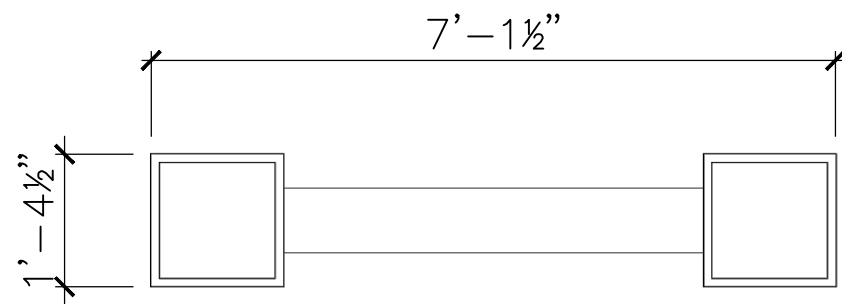
4400 Oneal St. Greenville, TX 75401

903.454.9237

info@the4kids.com

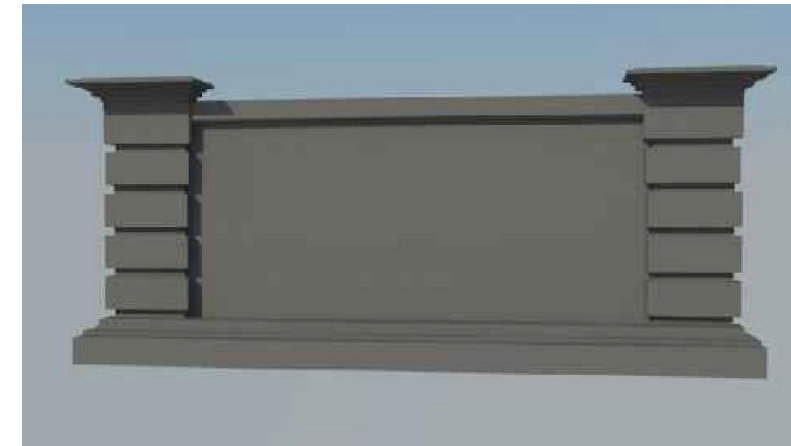
www.the4kids.com

© 2014 The 4 Kids Inc. All rights reserved.



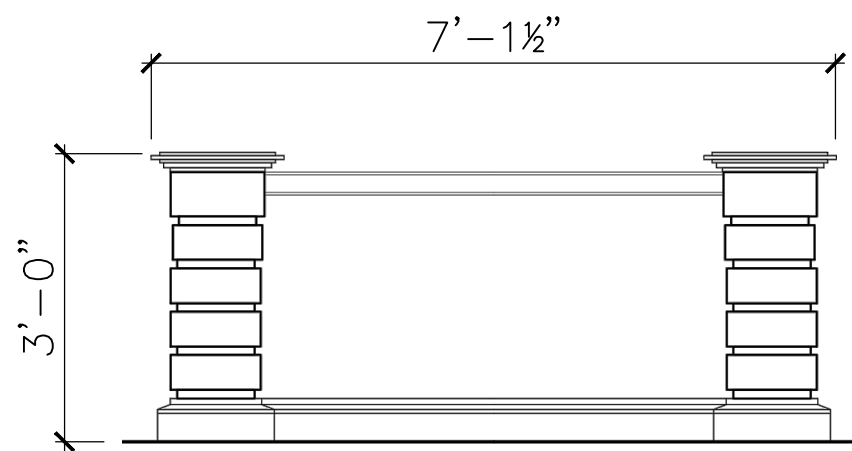
TOP VIEW

SCALE: 1/2" = 1'



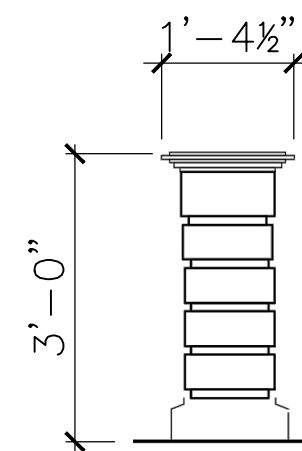
PRODUCT VIEW

SCALE: 1/2" = 1'



FRONT VIEW

SCALE: 1/2" = 1'



RIGHT-SIDE VIEW

SCALE: 1/2" = 1'

ALL RIGHTS RESERVED. THIS DRAWING IS PROPERTY OF THE 4 KIDS INC. AND MAY BE USED ONLY WHEN UTILIZING THE 4 KIDS INC. GENERAL TERMS AND CONDITIONS APPLY AND ARE INCORPORATED HERE IN BY REFERENCE. THIS DETAIL MAY NOT APPLY TO ALL CONDITIONS AND CONSTRUCTION SITUATIONS.

PROJECT:

TITLE: SIGN 10-3'H

ITEM ID: SIG125

MATERIAL: GFRC

MOLD

APX. TTL. WEIGHT

TOTAL # OF ITEM:

- LBS. [- KG]

TOTAL SQ. FEET: - [- sqm.]

REFERENCES:

COLOR & PER APPROVED SAMPLE
TEXTURE: PER APPROVED SAMPLE



CUSTOM THEMED PLAYGROUNDS

4400 ONEAL STREET, GREENVILLE, TX 75401 PHONE 903.454.9237 FAX 903.454.3642

TYPE DWG: FABRICATION

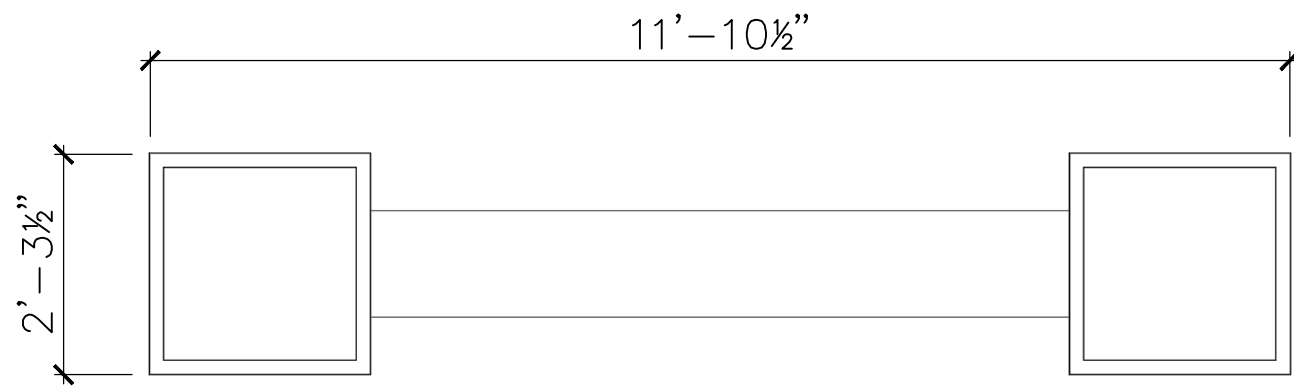
DRAWN BY:

DATE:

SCALE: AS NOTED

SHEET:

DWG. SHEET:



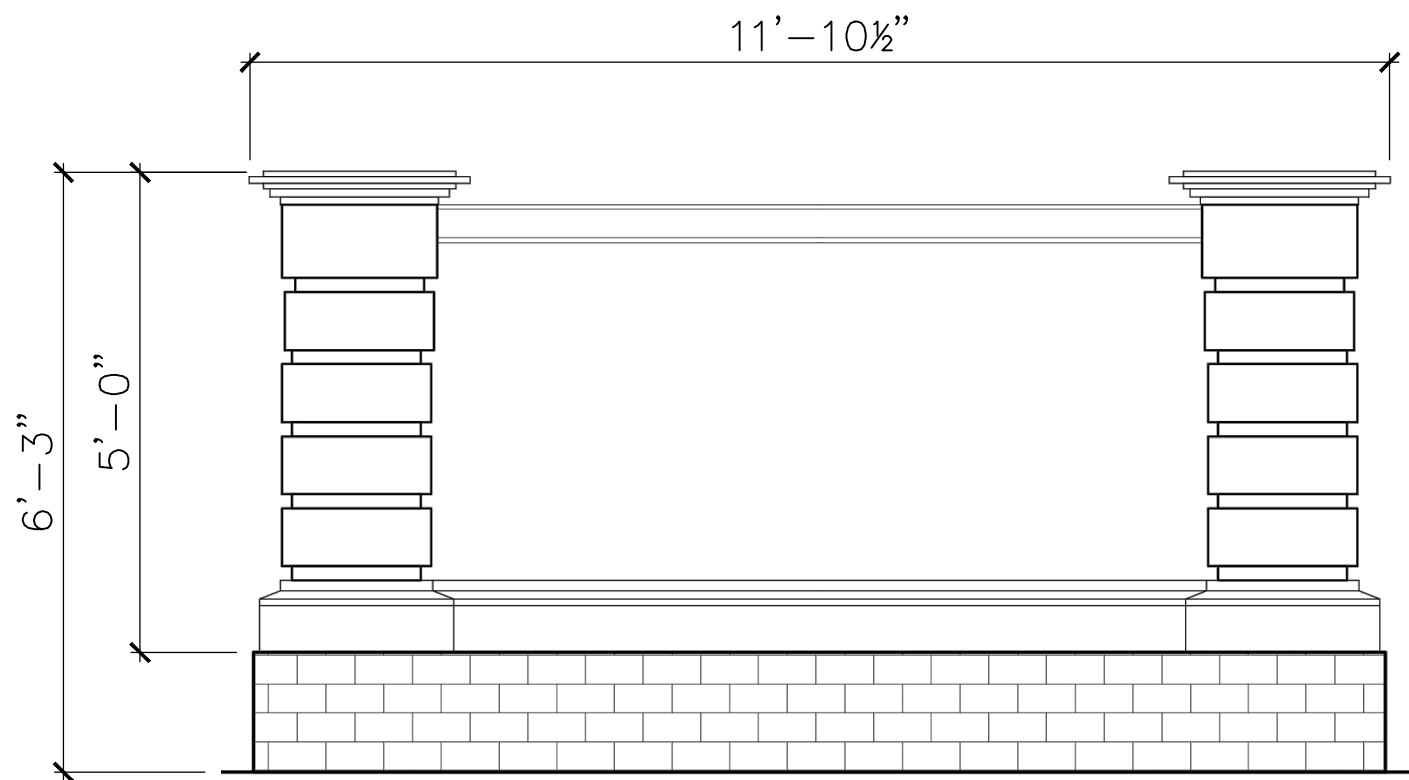
TOP VIEW

SCALE: 1/2" = 1'



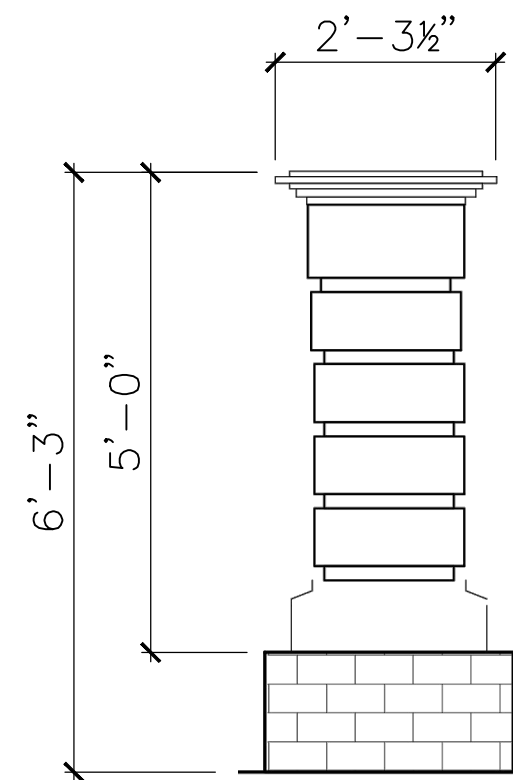
PRODUCT VIEW

SCALE: 1/2" = 1'



FRONT VIEW

SCALE: 1/2" = 1'



RIGHT-SIDE VIEW

SCALE: 1/2" = 1'

ALL RIGHTS RESERVED. THIS DRAWING IS PROPERTY OF THE 4 KIDS INC. AND MAY BE USED ONLY WHEN UTILIZING THE 4 KIDS INC. GENERAL TERMS AND CONDITIONS APPLY AND ARE INCORPORATED HERE IN BY REFERENCE. THIS DETAIL MAY NOT APPLY TO ALL CONDITIONS AND CONSTRUCTION SITUATIONS.

PROJECT:

TITLE: SIGN 10B

ITEM ID: SIG125

MATERIAL: GFRC

MOLD

APX. TTL. WEIGHT

TOTAL # OF ITEM:

- LBS. [- KG]

TOTAL SQ. FEET: - [- sqm.]

REFERENCES:

COLOR & PER APPROVED SAMPLE
TEXTURE: PER APPROVED SAMPLE



CUSTOM THEMED PLAYGROUNDS

4400 ONEAL STREET, GREENVILLE, TX 75401 PHONE 903.454.9237 FAX 903.454.3642

TYPE DWG: FABRICATION

DRAWN BY:

DATE:

SCALE: AS NOTED

SHEET:

DWG. SHEET: