



## Sign 16



This amazing sign structure created by the artists at The 4 Kids in Greenville, Texas, the country's foremost manufacturer of park and playground equipment, is simplicity itself, offering a broad surface for signage in a classically sculpted display that includes a peaked roof detail that immediately attracts the eye. Perfect as an informational display or welcome sign for churches, shrines, basilicas or institutions of higher learning since it mimics the traditional design for these facilities, the sign is also ideal at theme parks, municipal buildings, shopping malls, senior citizen and entertainment complexes, anywhere that requires high quality signage. Besides the impressive detail and artistry, the structure is popular with property owners for different reasons, including a very high level of durability and quality. Constructed with glass fiber reinforced concrete for maximum resilience in all weather, the structure is virtually indestructible, maintaining its superior finish in intense heat, snow, ice and even salt spray from the sea. Options include heights of 3, 4, 5 and 6 feet and mounting on a base of brick at an added height of one foot 3 inches.

The 4 Kids was born out of a desire to create high quality, one-of-a-kind park shelters and play environments that effectively appeal to children's natural curiosity and imagination.

All of our products are custom designed to work perfectly with your unique playground. Let us know how we can meet your specific needs by contacting our knowledgeable design specialists, today.

### Contact Us

Ordering from The 4 Kids is easy, initial consultation & quote is free.  
We can also provide you with design ideas and conceptual drawings.  
We want your whole experience with The 4 Kids to be smooth & rewarding.

4400 Oneal St. Greenville, TX 75401

903.454.9237

[info@the4kids.com](mailto:info@the4kids.com)

[www.the4kids.com](http://www.the4kids.com)

## Why Use Us?

Let our team of experienced engineers and artists make your playground the destination for fun! We can create an exciting space where children's imaginations can run wild. A playscape where parents can feel secure and create lasting memories with their whole family.

## Key Features

- Bring your ideas to The 4 Kids for customized sign structures
- Simple yet effective sign display
- Highest quality, low maintenance
- Made in America
- Possibilities for placement are endless

## Specifications

### Dimensions:

3', 4', 5', 6'

### Mounting Options:

See Typical Installation Details



## Contact Us

Ordering from The 4 Kids is easy, initial consultation & quote is free. We can also provide you with design ideas and conceptual drawings. We want your whole experience with The 4 Kids to be smooth & rewarding.

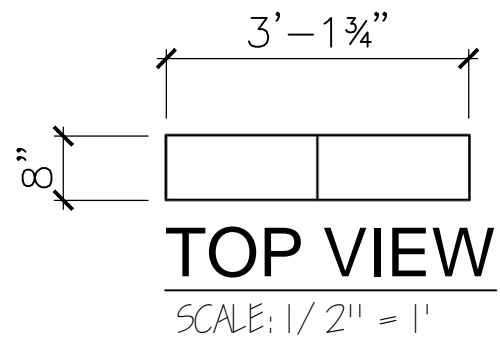
4400 Oneal St. Greenville, TX 75401

903.454.9237

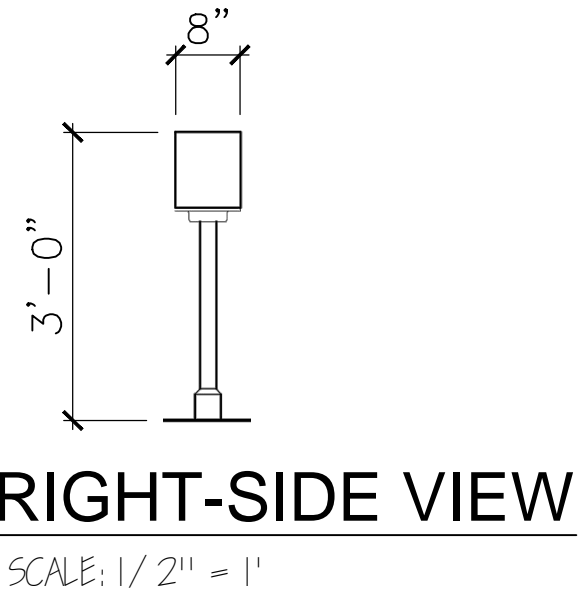
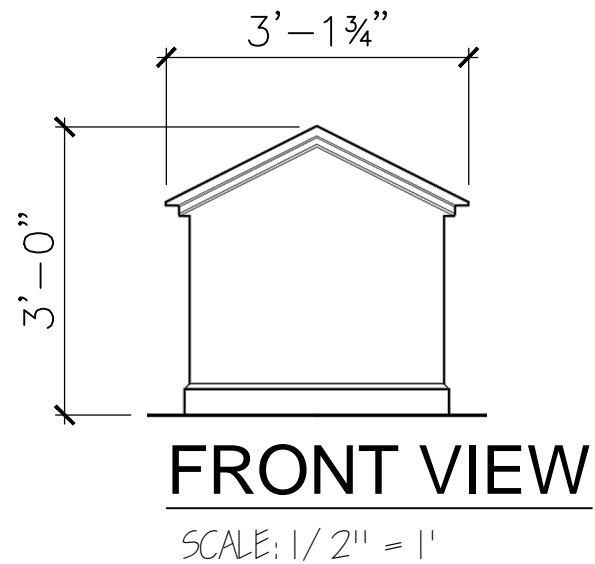
info@the4kids.com

www.the4kids.com

© 2014 The 4 Kids Inc. All rights reserved.



**PRODUCT VIEW**  
SCALE: 1/2" = 1'



ALL RIGHTS RESERVED. THIS DRAWING IS PROPERTY OF THE 4 KIDS INC. AND MAY BE USED ONLY WHEN UTILIZING THE 4 KIDS INC. GENERAL TERMS AND CONDITIONS APPLY AND ARE INCORPORATED HERE IN BY REFERENCE. THIS DETAIL MAY NOT APPLY TO ALL CONDITIONS AND CONSTRUCTION SITUATIONS.

**ITEM ID: SIG131**

**MATERIAL: GFRC**

MOLD

APX. TTL. WEIGHT

TOTAL # OF ITEM:

- LBS. [ - KG ]

TOTAL SQ. FEET: - [ - sqm. ]

PROJECT:

TITLE: SIGN 16-3'H

REFERENCES:

COLOR & PER APPROVED SAMPLE  
TEXTURE: PER APPROVED SAMPLE



**CUSTOM THEMED PLAYGROUNDS**

4400 ONEAL STREET, GREENVILLE, TX 75401 PHONE 903.454.9237 FAX 903.454.3642

TYPE DWG: FABRICATION

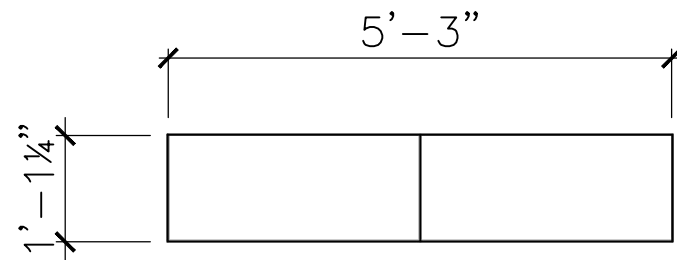
DRAWN BY:

DATE:

SCALE: AS NOTED

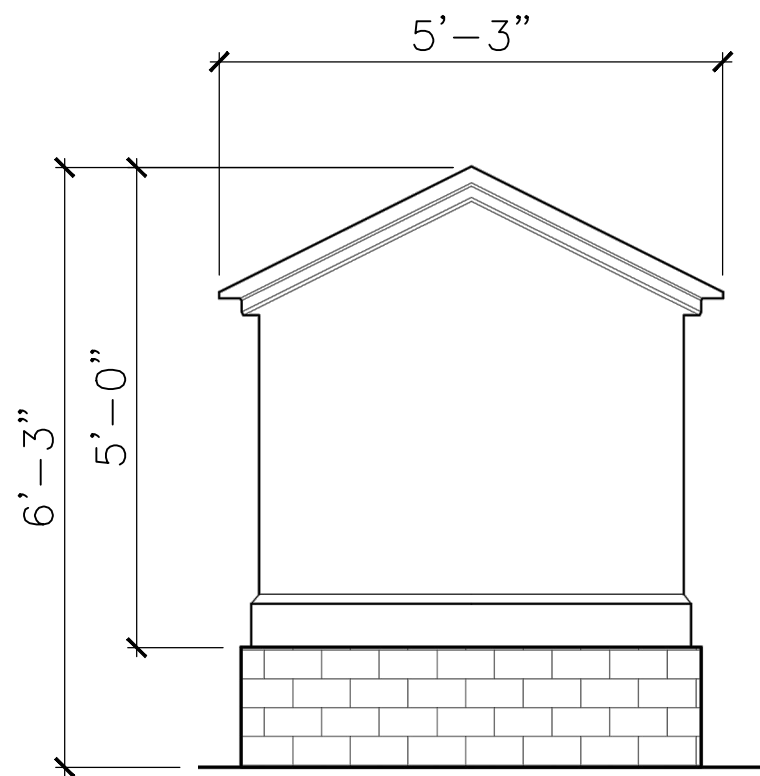
SHEET:

DWG. SHEET:



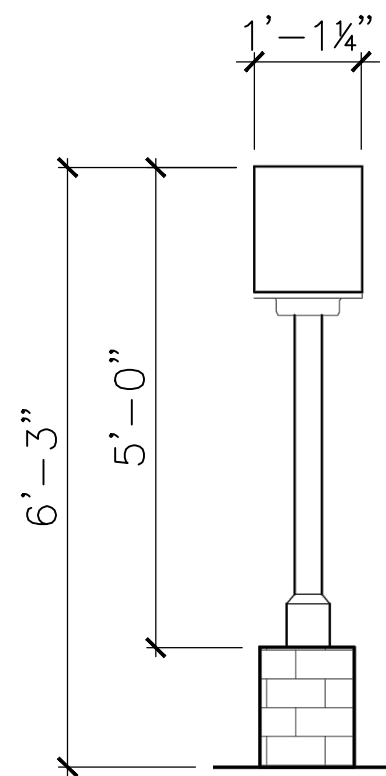
**TOP VIEW**

SCALE: 1/2" = 1'



**FRONT VIEW**

SCALE: 1/2" = 1'



**RIGHT-SIDE VIEW**

SCALE: 1/2" = 1'



**PRODUCT VIEW**

SCALE: 1/2" = 1'

ALL RIGHTS RESERVED. THIS DRAWING IS PROPERTY OF THE 4 KIDS INC. AND MAY BE USED ONLY WHEN UTILIZING THE 4 KIDS INC. GENERAL TERMS AND CONDITIONS APPLY AND ARE INCORPORATED HERE IN BY REFERENCE. THIS DETAIL MAY NOT APPLY TO ALL CONDITIONS AND CONSTRUCTION SITUATIONS.

**ITEM ID: SIG131**

**MATERIAL: GFRC**

MOLD

APX. TTL. WEIGHT

TOTAL # OF ITEM:

- LBS. [ - KG ]

TOTAL SQ. FEET: - [ - sqm. ]

PROJECT:

TITLE: SIGN 16B

REFERENCES:

COLOR & PER APPROVED SAMPLE  
TEXTURE: PER APPROVED SAMPLE



**CUSTOM THEMED PLAYGROUNDS**

4400 ONEAL STREET, GREENVILLE, TX 75401 PHONE 903.454.9237 FAX 903.454.3642

TYPE DWG: FABRICATION

DRAWN BY:

DATE:

SCALE: AS NOTED

SHEET:

DWG. SHEET: