

Sign 23



Presentation is everything when it comes to effective signage, and the expert designers at The 4 Kids in Greenville, Texas created this eye-catching display structure to make the signs in your location pop. From the classically arched crown to the recessed text area, this high quality sign commands attention and sets the perfect tone at tourist destinations, entertainment complexes, medical centers, universities, sports arenas, military installations or any space where superior signage is a must have. To welcome customers at shopping mall entrances, supply needed information for patients at health clinics, or to direct and instruct visitors at civic buildings, no matter where your signs are located, it's important that they are attractive and enhance the décor scheme. The sign is 3, 4, 5 or 6 feet tall, and can also be mounted on a brick base for an extra foot and 3 inches. Perfect for installation indoors or outdoors, The 4 Kids craftsmen use glass fiber reinforced concrete, known in the industry as the smart concrete, to ensure resilience and durability and a weather-resistant finish even in snow, ice or sea salt spray, resulting in virtually no maintenance requirements

The 4 Kids was born out of a desire to create high quality, one-of-a-kind park shelters and play environments that effectively appeal to children's natural curiosity and imagination.

All of our products are custom designed to work perfectly with your unique playground. Let us know how we can meet your specific needs by contacting our knowledgeable design specialists, today.

Contact Us

Ordering from The 4 Kids is easy, initial consultation & quote is free.
We can also provide you with design ideas and conceptual drawings.
We want your whole experience with The 4 Kids to be smooth & rewarding.

4400 Oneal St. Greenville, TX 75401

903.454.9237

info@the4kids.com

www.the4kids.com

Why Use Us?

Let our team of experienced engineers and artists make your playground the destination for fun! We can create an exciting space where children's imaginations can run wild. A playscape where parents can feel secure and create lasting memories with their whole family.

Key Features

- Customized sign structures
- Made in America
- Possibilities for placement are endless
- Optional brick base
- Expert team of sign designers

Specifications

Dimensions:

3', 4', 5', 6'

Mounting Options:

See Typical
Installation Details



Contact Us

Ordering from The 4 Kids is easy, initial consultation & quote is free. We can also provide you with design ideas and conceptual drawings. We want your whole experience with The 4 Kids to be smooth & rewarding.

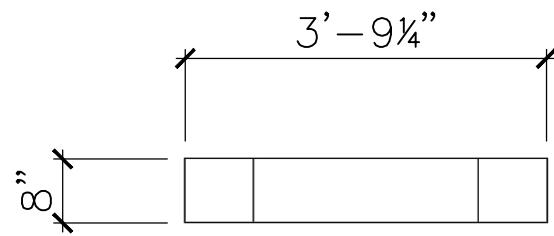
4400 Oneal St. Greenville, TX 75401

903.454.9237

info@the4kids.com

www.the4kids.com

© 2014 The 4 Kids Inc. All rights reserved.



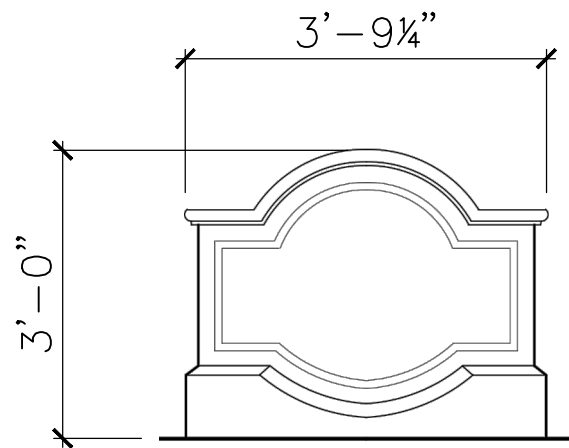
TOP VIEW

SCALE: 1/2" = 1'



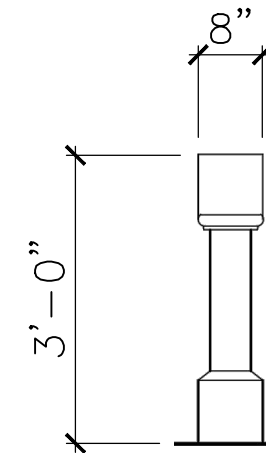
PRODUCT VIEW

SCALE: 1/2" = 1'



FRONT VIEW

SCALE: 1/2" = 1'



RIGHT-SIDE VIEW

SCALE: 1/2" = 1'

ALL RIGHTS RESERVED. THIS DRAWING IS PROPERTY OF THE 4 KIDS INC. AND MAY BE USED ONLY WHEN UTILIZING THE 4 KIDS INC. GENERAL TERMS AND CONDITIONS APPLY AND ARE INCORPORATED HERE IN BY REFERENCE. THIS DETAIL MAY NOT APPLY TO ALL CONDITIONS AND CONSTRUCTION SITUATIONS.

ITEM ID: SIG138

MATERIAL: GFRC

MOLD

APX. TTL. WEIGHT

TOTAL # OF ITEM:

- LBS. [- KG]

TOTAL SQ. FEET: - [- sqm.]

PROJECT:

TITLE: SIGN 23-3'H

REFERENCES:

COLOR & PER APPROVED SAMPLE
TEXTURE: PER APPROVED SAMPLE



CUSTOM THEMED PLAYGROUNDS

4400 ONEAL STREET, GREENVILLE, TX 75401 PHONE 903.454.9237 FAX 903.454.3642

TYPE DWG: FABRICATION

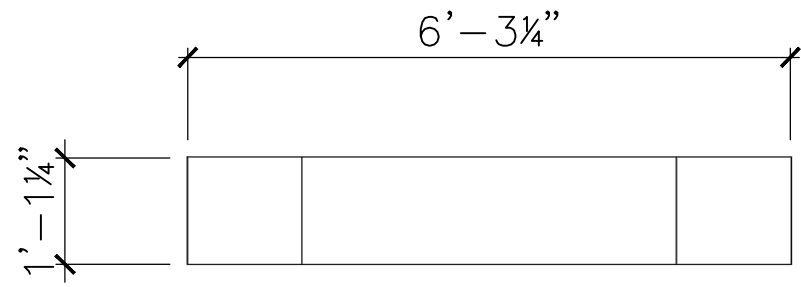
DRAWN BY:

DATE:

SCALE: AS NOTED

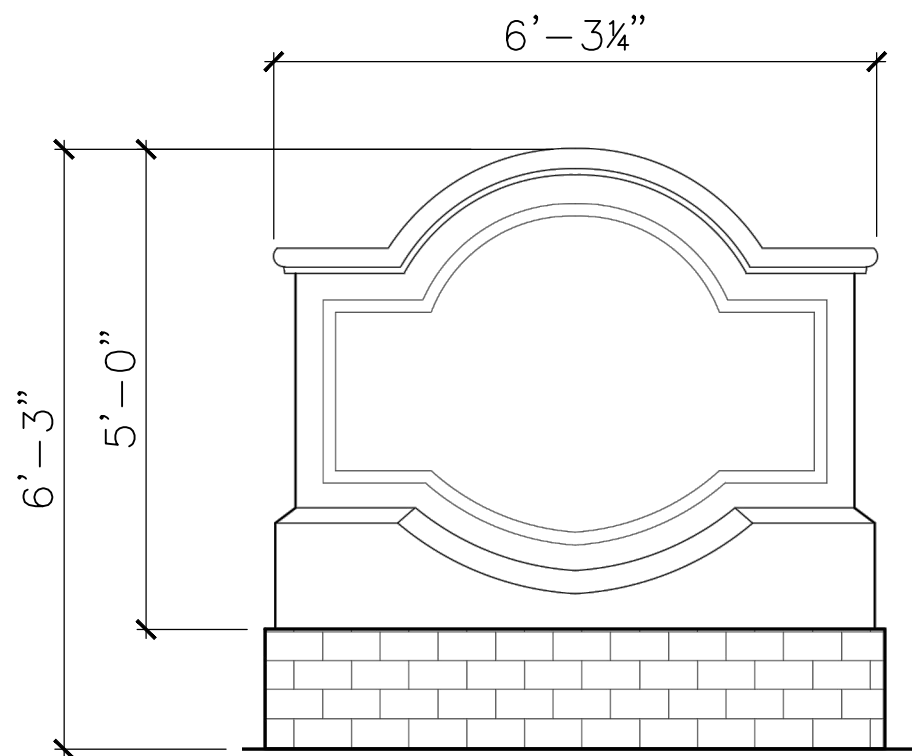
SHEET:

DWG. SHEET:



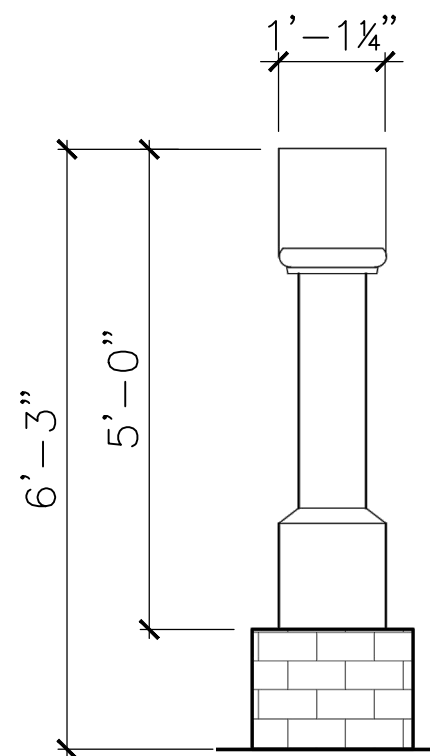
TOP VIEW

SCALE: 1/2" = 1'



FRONT VIEW

SCALE: 1/2" = 1'



RIGHT-SIDE VIEW

SCALE: 1/2" = 1'



PRODUCT VIEW

SCALE: 1/2" = 1'

ALL RIGHTS RESERVED. THIS DRAWING IS PROPERTY OF THE 4 KIDS INC. AND MAY BE USED ONLY WHEN UTILIZING THE 4 KIDS INC. GENERAL TERMS AND CONDITIONS APPLY AND ARE INCORPORATED HERE IN BY REFERENCE. THIS DETAIL MAY NOT APPLY TO ALL CONDITIONS AND CONSTRUCTION SITUATIONS.

ITEM ID: SIG138

MATERIAL: GFRC

MOLD

APX. TTL. WEIGHT

TOTAL # OF ITEM:

- LBS. [- KG]

TOTAL SQ. FEET: - [- sqm.]

PROJECT:

TITLE: SIGN 23B

REFERENCES:

COLOR & PER APPROVED SAMPLE
TEXTURE: PER APPROVED SAMPLE



CUSTOM THEMED PLAYGROUNDS

4400 ONEAL STREET, GREENVILLE, TX 75401 PHONE 903.454.9237 FAX 903.454.3642

TYPE DWG: FABRICATION

DRAWN BY:

DATE:

SCALE: AS NOTED

SHEET:

DWG. SHEET: