



## Sign 24

---

---



A sign that promises to attract attention from all patrons. This excellent design structure from The 4 Kids in Greenville, Texas is a regal and magnificent welcome to your visitors. This sign is crafted with an arched crown, flanked by stately pillars presenting a wide text area for displaying a proper welcome to patients at medical facilities, students at universities, visitors to museums and galleries, tourists at theme parks and resorts or customers at shopping malls. The design is charming to all, especially maintenance staff, who find the glass fiber reinforced concrete finish virtually maintenance free in all weather, perfect for location outdoors as well as indoors. Even the salty spray of the sea does no damage to this superior finish for years of dependable and durable service. Available in 3, 4, 5 or 6 feet versions, the sign may or may not be mounted on an attractive brick base for an extra foot and 3 inches. Do you have an idea for sign structure features that would work well in your location? Contact the experts at The 4 Kids today.

The 4 Kids was born out of a desire to create high quality, one-of-a-kind park shelters and play environments that effectively appeal to children's natural curiosity and imagination.

All of our products are custom designed to work perfectly with your unique playground. Let us know how we can meet your specific needs by contacting our knowledgeable design specialists, today.

### Contact Us

Ordering from The 4 Kids is easy, initial consultation & quote is free.  
We can also provide you with design ideas and conceptual drawings.  
We want your whole experience with The 4 Kids to be smooth & rewarding.

4400 Oneal St. Greenville, TX 75401

903.454.9237

[info@the4kids.com](mailto:info@the4kids.com)

[www.the4kids.com](http://www.the4kids.com)

Let our team of experienced engineers and artists make your playground the destination for fun! We can create an exciting space where children's imaginations can run wild. A playscape where parents can feel secure and create lasting memories with their whole family.

## Key Features

- Made in America
- Custom designs for signage
- High quality and low maintenance
- Placement options are endless
- Expert consult is free

## Specifications

### Dimensions:

3', 4', 5', 6' height

### Mounting Options:

Installation Details



## Contact Us

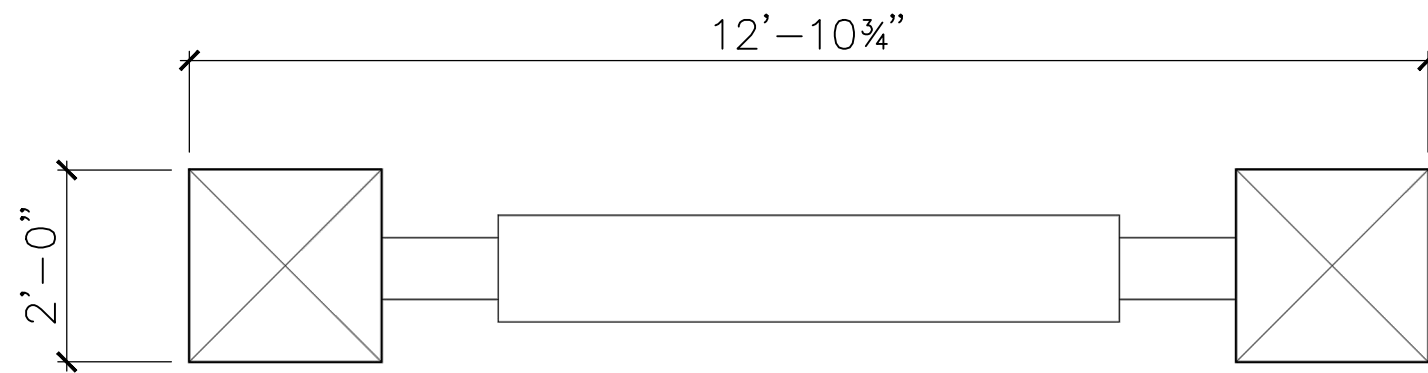
Ordering from The 4 Kids is easy, initial consultation & quote is free. We can also provide you with design ideas and conceptual drawings. We want your whole experience with The 4 Kids to be smooth & rewarding.

4400 Oneal St. Greenville, TX 75401

903.454.9237

[info@the4kids.com](mailto:info@the4kids.com)

[www.the4kids.com](http://www.the4kids.com)



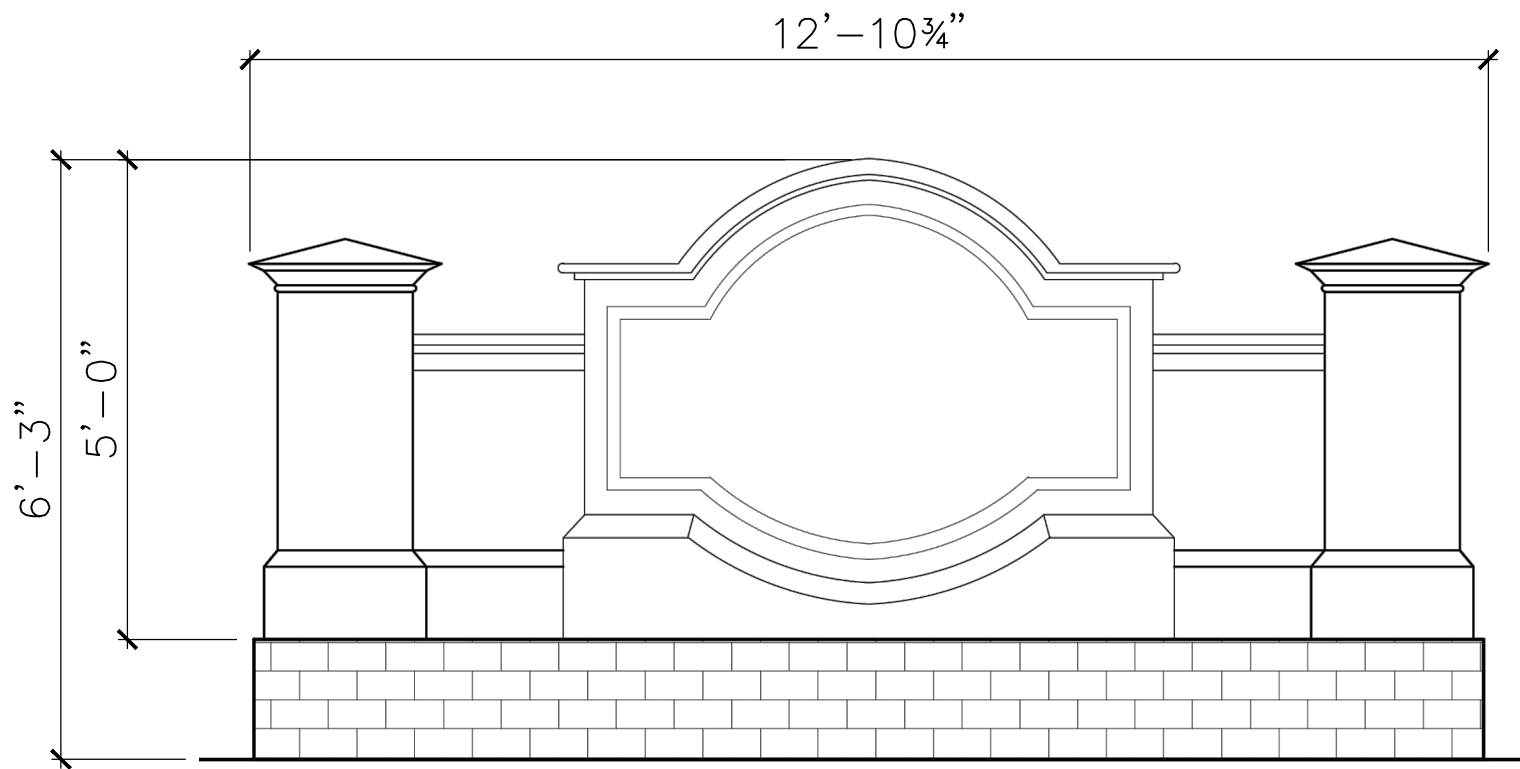
**TOP VIEW**

SCALE: 1/2" = 1'



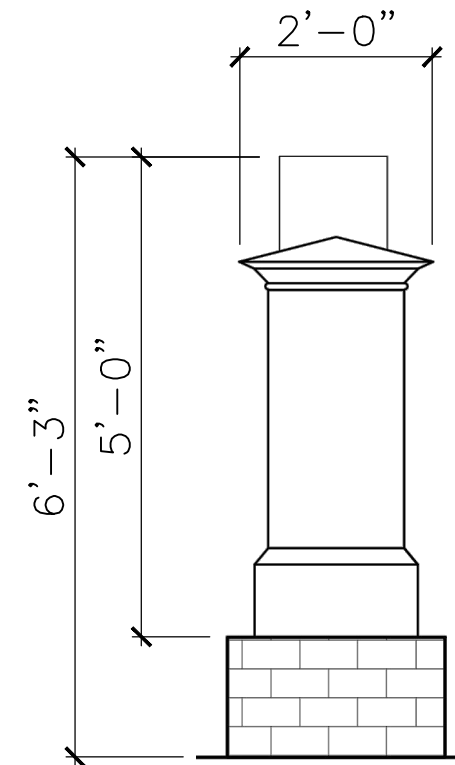
**PRODUCT VIEW**

SCALE: 1/2" = 1'



**FRONT VIEW**

SCALE: 1/2" = 1'



**RIGHT-SIDE VIEW**

SCALE: 1/2" = 1'

ALL RIGHTS RESERVED. THIS DRAWING IS PROPERTY OF THE 4 KIDS INC. AND MAY BE USED ONLY WHEN UTILIZING THE 4 KIDS INC. GENERAL TERMS AND CONDITIONS APPLY AND ARE INCORPORATED HERE IN BY REFERENCE. THIS DETAIL MAY NOT APPLY TO ALL CONDITIONS AND CONSTRUCTION SITUATIONS.

**ITEM ID: SIG139**

**MATERIAL: GFRC**

MOLD

APX. TTL. WEIGHT

TOTAL # OF ITEM:

- LBS. [ - KG]

TOTAL SQ. FEET: - [- sqm.]

PROJECT:

TITLE: SIGN 24B

REFERENCES:

COLOR & PER APPROVED SAMPLE  
TEXTURE: PER APPROVED SAMPLE



**CUSTOM THEMED PLAYGROUNDS**

4400 ONEAL STREET, GREENVILLE, TX 75401 PHONE 903.454.9237 FAX 903.454.3642

TYPE DWG: FABRICATION

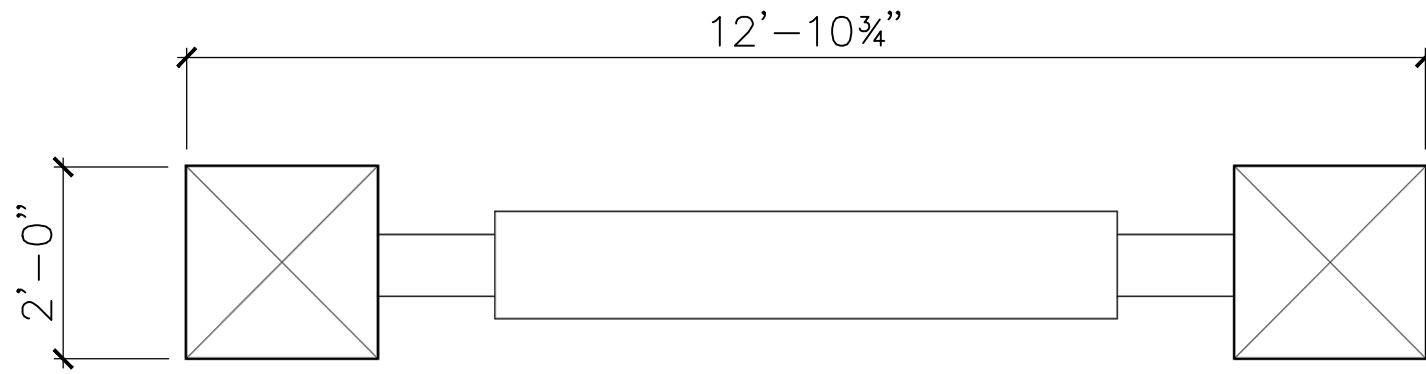
DRAWN BY:

DATE:

SCALE: AS NOTED

SHEET:

DWG. SHEET:



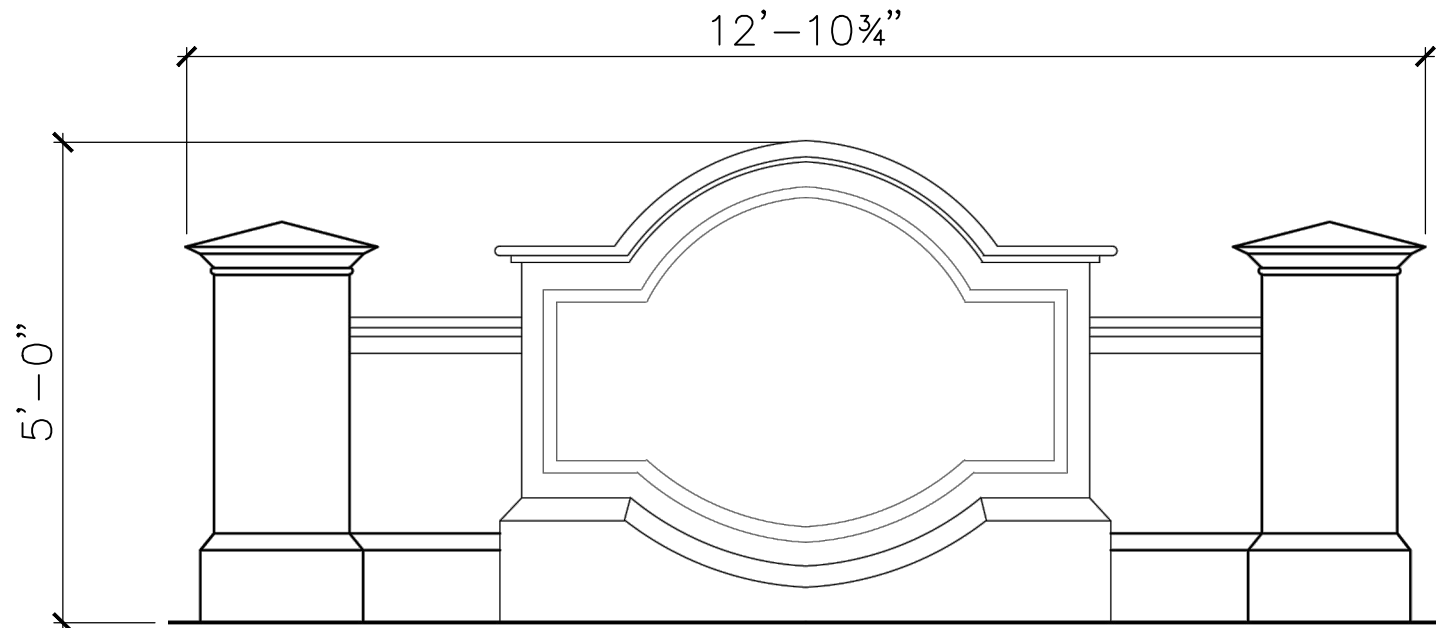
**TOP VIEW**

SCALE: 1/2" = 1'



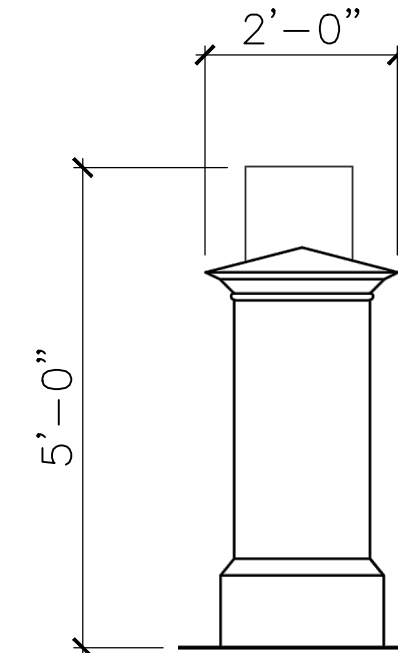
**PRODUCT VIEW**

SCALE: 1/2" = 1'



**FRONT VIEW**

SCALE: 1/2" = 1'



**RIGHT-SIDE VIEW**

SCALE: 1/2" = 1'

ALL RIGHTS RESERVED. THIS DRAWING IS PROPERTY OF THE 4 KIDS INC. AND MAY BE USED ONLY WHEN UTILIZING THE 4 KIDS INC. GENERAL TERMS AND CONDITIONS APPLY AND ARE INCORPORATED HERE IN BY REFERENCE. THIS DETAIL MAY NOT APPLY TO ALL CONDITIONS AND CONSTRUCTION SITUATIONS.

**ITEM ID: SIG139**

**MATERIAL: GFRC**

MOLD

APX. TTL. WEIGHT

TOTAL # OF ITEM:

- LBS. [ - KG ]

TOTAL SQ. FEET: - [ - sqm. ]

PROJECT:

TITLE: SIGN 24-5'H

REFERENCES:

COLOR & PER APPROVED SAMPLE  
TEXTURE: PER APPROVED SAMPLE



**CUSTOM THEMED PLAYGROUNDS**

4400 ONEAL STREET, GREENVILLE, TX 75401 PHONE 903.454.9237 FAX 903.454.3642

TYPE DWG: FABRICATION

DRAWN BY:

DATE:

SCALE: AS NOTED

SHEET:

DWG. SHEET: