

# Sign 28



Are you looking for a sign from your clientele that your signage displays are doing the job? Look no further than The 4 Kids for expert sign structure designs like this one, an amazing concept for posting everything from company names and logos to welcome messages for guests at the theme park to menus for diners at restaurants, among hundreds of other possibilities. Ornate and majestic, the structure design features a dramatic pillared effect crowned by a graduated surface featuring a center block. Beckoning to onlookers, the concept is eye-catching and attractive and delivers your content effectively and with amazing style and panache. Besides a beautiful way to display signage, the structure also offers a high quality, glass fiber reinforced concrete finish that resists damage in all weather, a boon for décor planners, especially when the sign placement is out of doors. Neither snow, nor ice, nor the salt spray of the sea can damage this superior design from The 4 Kids. Available in 3, 4, 5, and 6 feet heights, the sign structure can also be mounted on an impressive brick base for an extra one foot and 3 inches.

The 4 Kids was born out of a desire to create high quality, one-of-a-kind park shelters and play environments that effectively appeal to children's natural curiosity and imagination.

All of our products are custom designed to work perfectly with your unique playground. Let us know how we can meet your specific needs by contacting our knowledgeable design specialists, today.

## Contact Us

Ordering from The 4 Kids is easy, initial consultation & quote is free. We can also provide you with design ideas and conceptual drawings. We want your whole experience with The 4 Kids to be smooth & rewarding.

4400 Oneal St. Greenville, TX 75401

903.454.9237

info@the4kids.com

www.the4kids.com

Let our team of experienced engineers and artists make your playground the destination for fun! We can create an exciting space where children's imaginations can run wild. A playscape where parents can feel secure and create lasting memories with their whole family.

## Key Features

- Custom designs from experts
- American made
- Dramatic design and high quality construction
- Get your message out with panache
- Team of talented artists

## Specifications

### Dimensions:

3', 4', 5', 6'

### Mounting Options:

See Typical Installation Details



## Contact Us

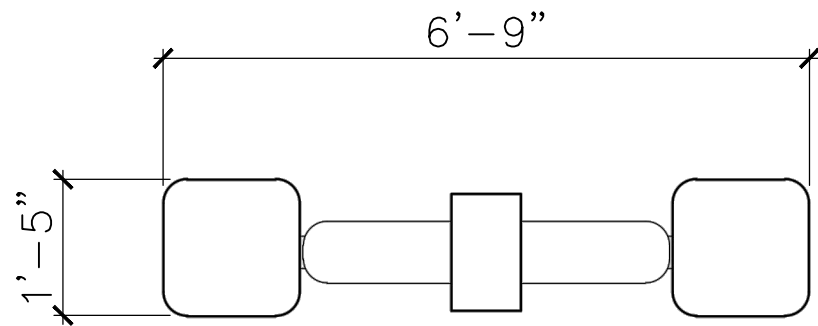
Ordering from The 4 Kids is easy, initial consultation & quote is free. We can also provide you with design ideas and conceptual drawings. We want your whole experience with The 4 Kids to be smooth & rewarding.

4400 Oneal St. Greenville, TX 75401

903.454.9237

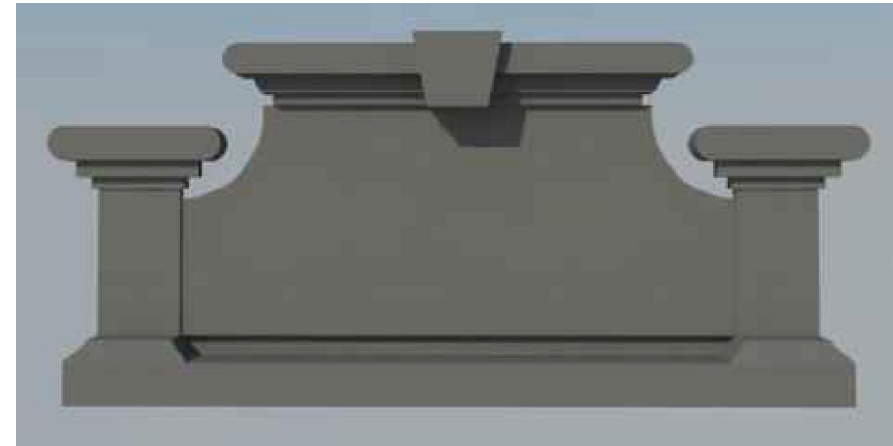
[info@the4kids.com](mailto:info@the4kids.com)

[www.the4kids.com](http://www.the4kids.com)



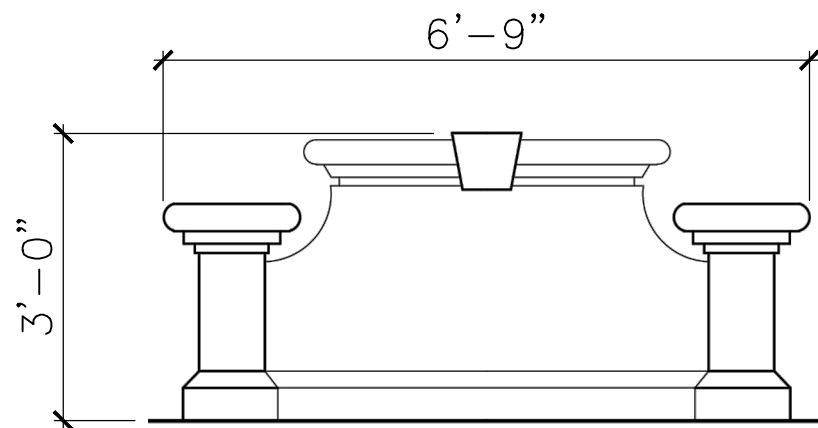
**TOP VIEW**

SCALE: 1/2" = 1'



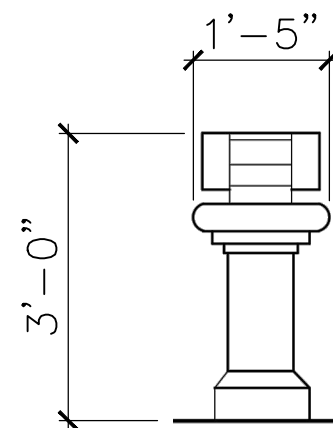
**PRODUCT VIEW**

SCALE: 1/2" = 1'



**FRONT VIEW**

SCALE: 1/2" = 1'



**RIGHT-SIDE VIEW**

SCALE: 1/2" = 1'

ALL RIGHTS RESERVED. THIS DRAWING IS PROPERTY OF THE 4 KIDS INC. AND MAY BE USED ONLY WHEN UTILIZING THE 4 KIDS INC. GENERAL TERMS AND CONDITIONS APPLY AND ARE INCORPORATED HERE IN BY REFERENCE. THIS DETAIL MAY NOT APPLY TO ALL CONDITIONS AND CONSTRUCTION SITUATIONS.

PROJECT:

TITLE: SIGN 28-3'H

ITEM ID: SIG143

MATERIAL: GFRC

MOLD

APX. TTL. WEIGHT

TOTAL # OF ITEM:

- LBS. [ - KG]

TOTAL SQ. FEET: - [- sqm.]

REFERENCES:

COLOR & PER APPROVED SAMPLE  
TEXTURE: PER APPROVED SAMPLE



**CUSTOM THEMED PLAYGROUNDS**

4400 ONEAL STREET, GREENVILLE, TX 75401 PHONE 903.454.9237 FAX 903.454.3642

TYPE DWG: FABRICATION

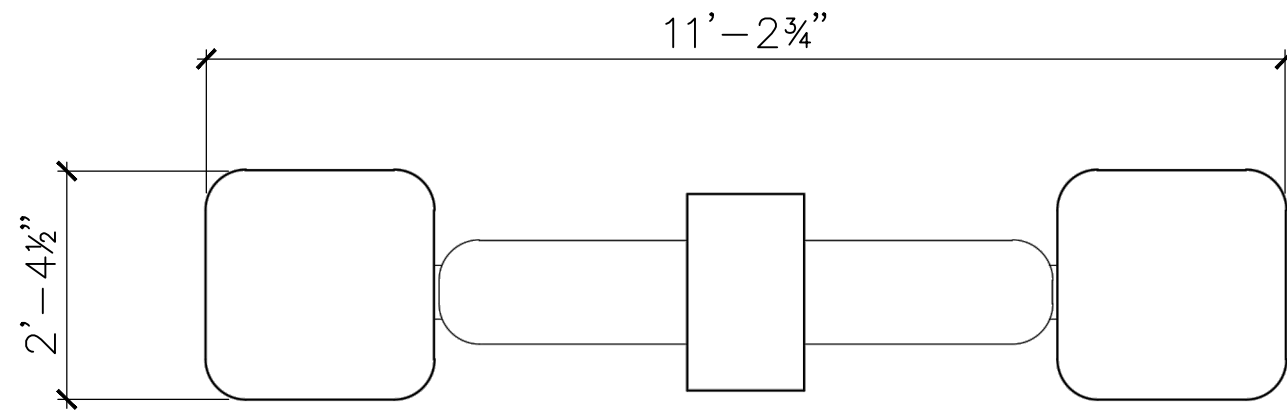
DRAWN BY:

DATE:

SCALE: AS NOTED

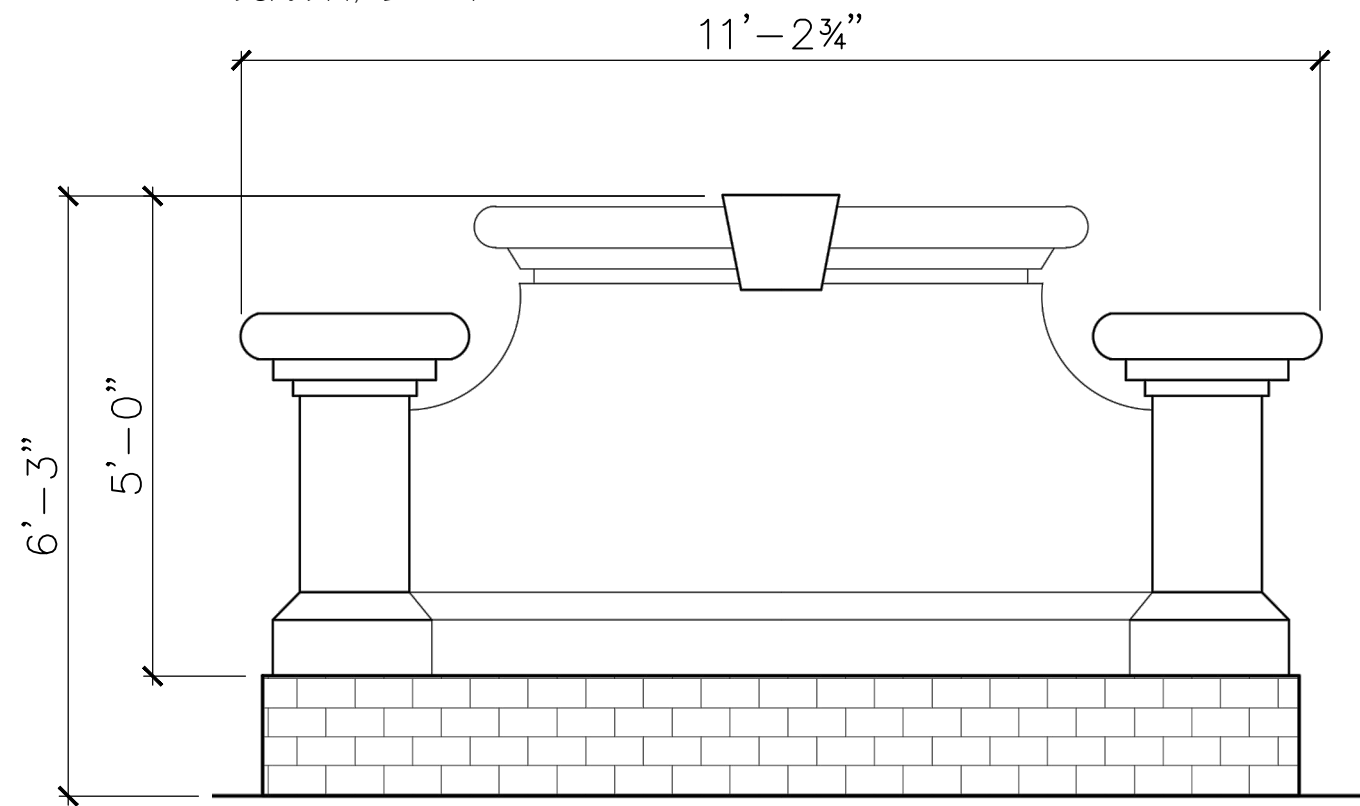
SHEET:

DWG. SHEET:



**TOP VIEW**

SCALE: 1/2" = 1'



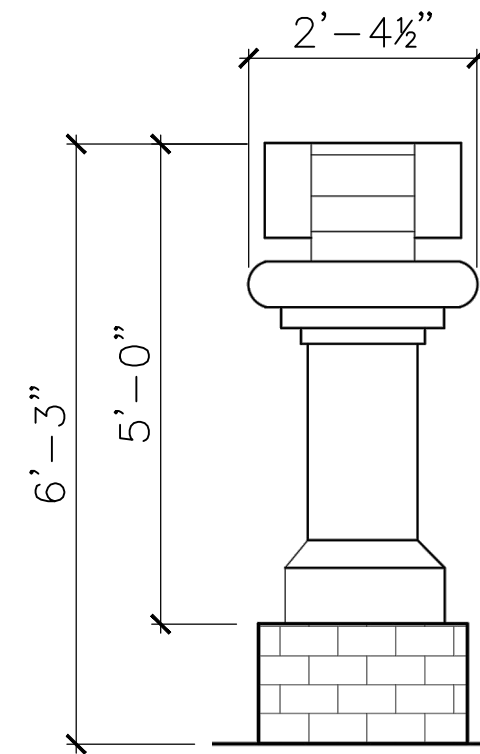
**FRONT VIEW**

SCALE: 1/2" = 1'



**PRODUCT VIEW**

SCALE: 1/2" = 1'



**RIGHT-SIDE VIEW**

SCALE: 1/2" = 1'

ALL RIGHTS RESERVED. THIS DRAWING IS PROPERTY OF THE 4 KIDS INC. AND MAY BE USED ONLY WHEN UTILIZING THE 4 KIDS INC. GENERAL TERMS AND CONDITIONS APPLY AND ARE INCORPORATED HERE IN BY REFERENCE. THIS DETAIL MAY NOT APPLY TO ALL CONDITIONS AND CONSTRUCTION SITUATIONS.

PROJECT:

TITLE: SIGN 28B

ITEM ID: SIG143

MATERIAL: GFRC

MOLD

APX. TTL. WEIGHT

TOTAL # OF ITEM:

- LBS. [ - KG ]

TOTAL SQ. FEET: - [ - sqm. ]

REFERENCES:

COLOR & PER APPROVED SAMPLE  
TEXTURE: PER APPROVED SAMPLE



**CUSTOM THEMED PLAYGROUNDS**

4400 ONEAL STREET, GREENVILLE, TX 75401 PHONE 903.454.9237 FAX 903.454.3642

TYPE DWG: FABRICATION

DRAWN BY:

DATE:

SCALE: AS NOTED

SHEET:

DWG. SHEET: