



Sign 34



Having signage that works well with your décor and is a pleasing way for your clients to get your message means setting the proper tone for a successful experience. Whether your business is a shopping mall, a medical clinic, a university, a theme park or even a government facility, attractive, effective signage is a must have. At The 4 Kids, park and playground experts design display structures to highlight your signage in any location, at entrances to welcome visitors to theme parks, at museum exhibits to provide information and enhance displays, for menus at dining venues, directories in courthouses or logos at ballparks, wherever there's a need to get your message out to your public. You can choose from 3, 4, 5 or 6 feet tall options, with or without another foot and 3-inch brick base, or you can discuss your individual needs with our design team for custom creations. No matter what you choose, it will be of superior quality with virtually no maintenance, since the glass fiber reinforced concrete finish on The 4 Kids sign structures is resilient and weather resistant in all conditions, even snow, ice, intense heat or salt spray exposure.

The 4 Kids was born out of a desire to create high quality, one-of-a-kind park shelters and play environments that effectively appeal to children's natural curiosity and imagination.

All of our products are custom designed to work perfectly with your unique playground. Let us know how we can meet your specific needs by contacting our knowledgeable design specialists, today.

Contact Us

Ordering from The 4 Kids is easy, initial consultation & quote is free.
We can also provide you with design ideas and conceptual drawings.
We want your whole experience with The 4 Kids to be smooth & rewarding.

4400 Oneal St. Greenville, TX 75401

903.454.9237

info@the4kids.com

www.the4kids.com

Why Use Us?

Let our team of experienced engineers and artists make your playground the destination for fun! We can create an exciting space where children's imaginations can run wild. A playscape where parents can feel secure and create lasting memories with their whole family.

Key Features

- Good signage sets the stage for success
- American made
- Customized designs
- Ideal for use anywhere
- GFRC construction

Specifications

Dimensions:

3', 4', 5', 6'

Mounting Options:

See Typical
Installation Details



Contact Us

Ordering from The 4 Kids is easy, initial consultation & quote is free. We can also provide you with design ideas and conceptual drawings. We want your whole experience with The 4 Kids to be smooth & rewarding.

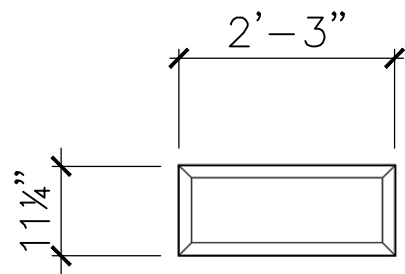
4400 Oneal St. Greenville, TX 75401

903.454.9237

info@the4kids.com

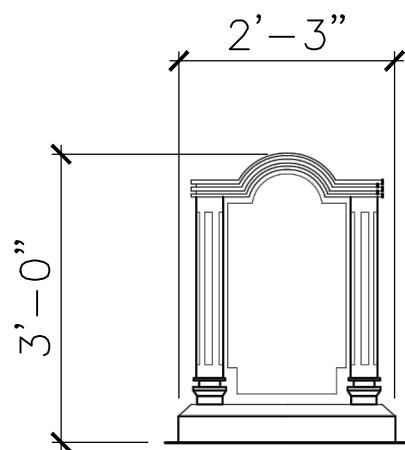
www.the4kids.com

© 2014 The 4 Kids Inc. All rights reserved.



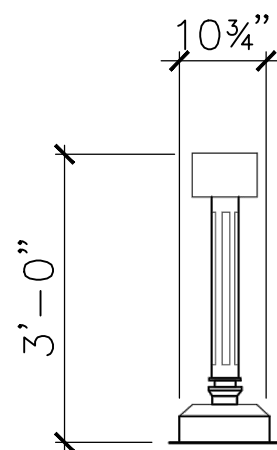
TOP VIEW

SCALE: 1/2" = 1'



FRONT VIEW

SCALE: 1/2" = 1'



RIGHT-SIDE VIEW

SCALE: 1/2" = 1'



PRODUCT VIEW

SCALE: 1/2" = 1'

ALL RIGHTS RESERVED. THIS DRAWING IS PROPERTY OF THE 4 KIDS INC. AND MAY BE USED ONLY WHEN UTILIZING THE 4 KIDS INC. GENERAL TERMS AND CONDITIONS APPLY AND ARE INCORPORATED HERE IN BY REFERENCE. THIS DETAIL MAY NOT APPLY TO ALL CONDITIONS AND CONSTRUCTION SITUATIONS.

ITEM ID: SIG149

MATERIAL: GFRC

MOLD

APX. TTL. WEIGHT

TOTAL # OF ITEM:

- LBS. [- KG]

TOTAL SQ. FEET: - [- sqm.]

PROJECT:

TITLE: SIGN 34-3'H

REFERENCES:

COLOR & PER APPROVED SAMPLE
TEXTURE: PER APPROVED SAMPLE



CUSTOM THEMED PLAYGROUNDS

4400 ONEAL STREET, GREENVILLE, TX 75401 PHONE 903.454.9237 FAX 903.454.3642

TYPE DWG: FABRICATION

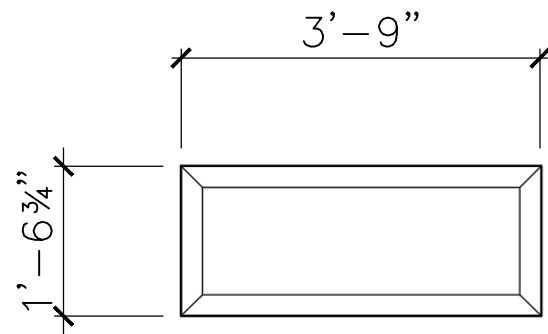
DRAWN BY:

DATE:

SCALE: AS NOTED

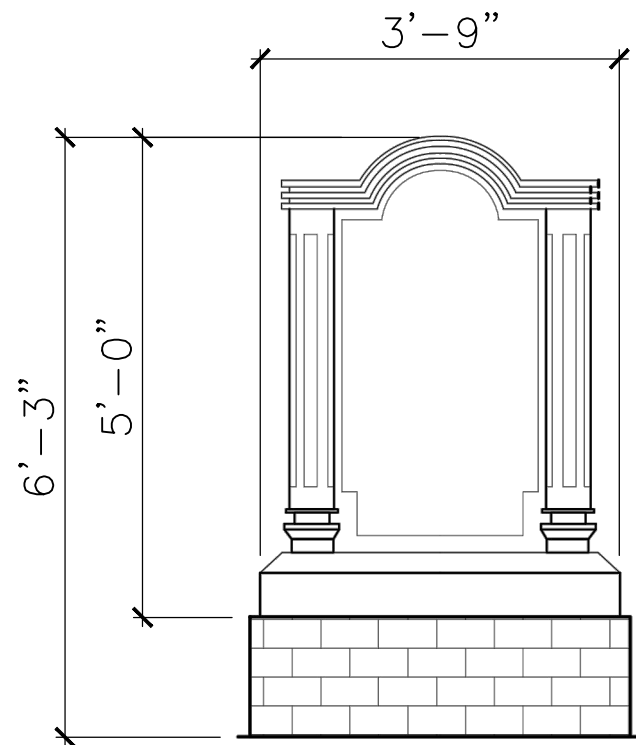
SHEET:

DWG. SHEET:



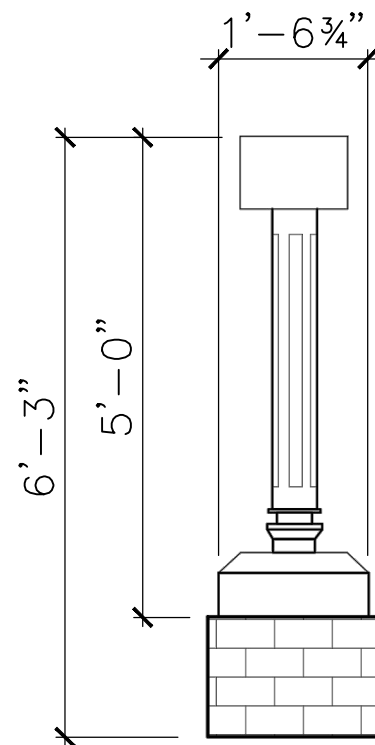
TOP VIEW

SCALE: 1/2" = 1'



FRONT VIEW

SCALE: 1/2" = 1'



RIGHT-SIDE VIEW

SCALE: 1/2" = 1'



PRODUCT VIEW

SCALE: 1/2" = 1'

ALL RIGHTS RESERVED. THIS DRAWING IS PROPERTY OF THE 4 KIDS INC. AND MAY BE USED ONLY WHEN UTILIZING THE 4 KIDS INC. GENERAL TERMS AND CONDITIONS APPLY AND ARE INCORPORATED HERE IN BY REFERENCE. THIS DETAIL MAY NOT APPLY TO ALL CONDITIONS AND CONSTRUCTION SITUATIONS.

ITEM ID: SIG149

MATERIAL: GFRC

MOLD

APX. TTL. WEIGHT

TOTAL # OF ITEM:

- LBS. [- KG]

TOTAL SQ. FEET: - [- sqm.]

PROJECT:

TITLE: SIGN 34B

REFERENCES:

COLOR & PER APPROVED SAMPLE
TEXTURE: PER APPROVED SAMPLE



CUSTOM THEMED PLAYGROUNDS

4400 ONEAL STREET, GREENVILLE, TX 75401 PHONE 903.454.9237 FAX 903.454.3642

TYPE DWG: FABRICATION

DRAWN BY:

DATE:

SCALE: AS NOTED

SHEET:

DWG. SHEET: