



## Sign 38



First impressions last forever, and something that catches the eye and engages a sense of curiosity always impresses. That's just what this awesome signage structure from The 4 Kids in Greenville, Texas does. Eye-catching detail that includes two supporting pillars frame a peaked text display that attracts attention no matter where it is located, at churches and shrines, government buildings and military bases, day care centers, senior centers or family fun centers, shopping malls or entertainment venues. The possibilities are endless for placement and function of this unique 3, 4, 5 or 6 feet tall signage structure, with or without mounting on a well-crafted brick base. Whether it welcomes visitors at museum entrances, directs patients at medical clinics, points the way to fun for tourists at theme parks or highlights the attractions for moviegoers at theaters, this captivating design gets the job done. Indoors or outdoors, the glass fiber reinforced concrete finish on The 4 Kids sign structures resists damage and is virtually indestructible in all types of weather, even ice, snow or sea salt spray.

The 4 Kids was born out of a desire to create high quality, one-of-a-kind park shelters and play environments that effectively appeal to children's natural curiosity and imagination.

All of our products are custom designed to work perfectly with your unique playground. Let us know how we can meet your specific needs by contacting our knowledgeable design specialists, today.

### Contact Us

Ordering from The 4 Kids is easy, initial consultation & quote is free.  
We can also provide you with design ideas and conceptual drawings.  
We want your whole experience with The 4 Kids to be smooth & rewarding.

4400 Oneal St. Greenville, TX 75401

903.454.9237

[info@the4kids.com](mailto:info@the4kids.com)

[www.the4kids.com](http://www.the4kids.com)

## Why Use Us?

Let our team of experienced engineers and artists make your playground the destination for fun! We can create an exciting space where children's imaginations can run wild. A playscape where parents can feel secure and create lasting memories with their whole family.

## Key Features

- Bring your signage ideas to The 4 Kids, we'll create them
- American made in Greenville, Texas
- Perfect for signage at any location
- One of a kind designs
- High quality, low maintenance, long life

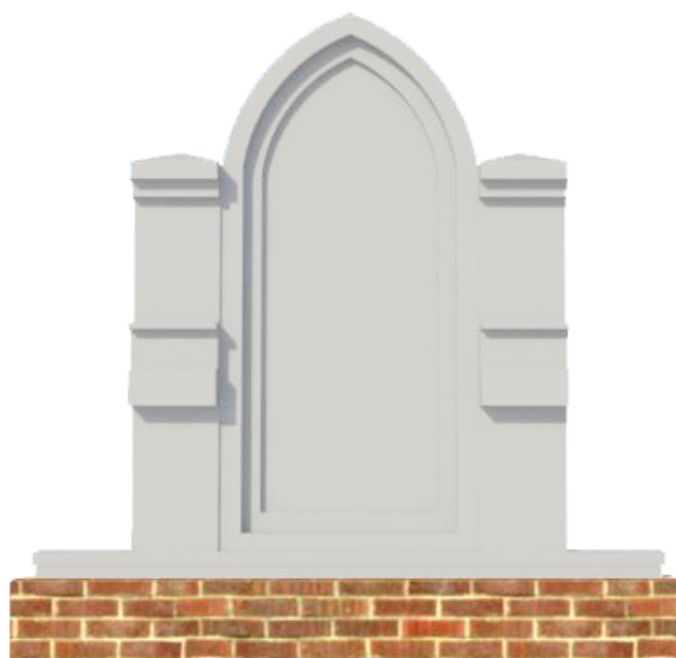
## Specifications

### Dimensions:

3', 4', 5', 6'

### Mounting Options:

See Typical  
Installation Details



## Contact Us

Ordering from The 4 Kids is easy, initial consultation & quote is free. We can also provide you with design ideas and conceptual drawings. We want your whole experience with The 4 Kids to be smooth & rewarding.

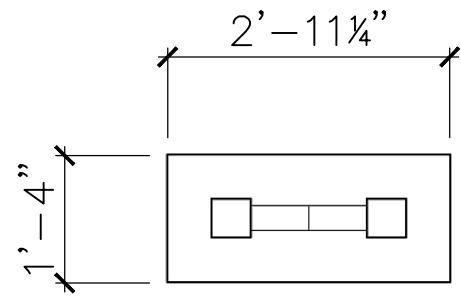
4400 Oneal St. Greenville, TX 75401

903.454.9237

[info@the4kids.com](mailto:info@the4kids.com)

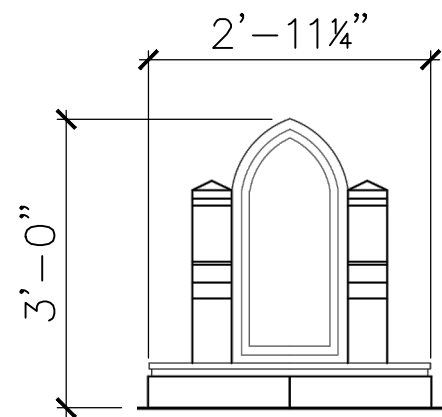
[www.the4kids.com](http://www.the4kids.com)

© 2014 The 4 Kids Inc. All rights reserved.



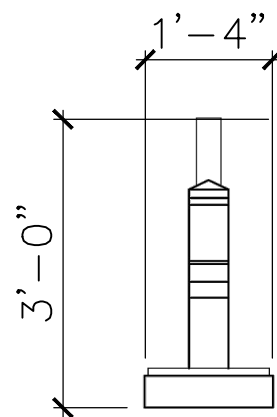
**TOP VIEW**

SCALE: 1/2" = 1'



**FRONT VIEW**

SCALE: 1/2" = 1'



**RIGHT-SIDE VIEW**

SCALE: 1/2" = 1'



**PRODUCT VIEW**

SCALE: 1/2" = 1'

ALL RIGHTS RESERVED. THIS DRAWING IS PROPERTY OF THE 4 KIDS INC. AND MAY BE USED ONLY WHEN UTILIZING THE 4 KIDS INC. GENERAL TERMS AND CONDITIONS APPLY AND ARE INCORPORATED HERE IN BY REFERENCE. THIS DETAIL MAY NOT APPLY TO ALL CONDITIONS AND CONSTRUCTION SITUATIONS.

**ITEM ID: SIG153**

**MATERIAL: GFRC**

MOLD

APX. TTL. WEIGHT

TOTAL # OF ITEM:

- LBS. [ - KG ]

TOTAL SQ. FEET: - [ - sqm. ]

PROJECT:

TITLE: SIGN 38-3'H

REFERENCES:

COLOR & PER APPROVED SAMPLE  
TEXTURE: PER APPROVED SAMPLE



**CUSTOM THEMED PLAYGROUNDS**

4400 ONEAL STREET, GREENVILLE, TX 75401 PHONE 903.454.9237 FAX 903.454.3642

TYPE DWG: FABRICATION

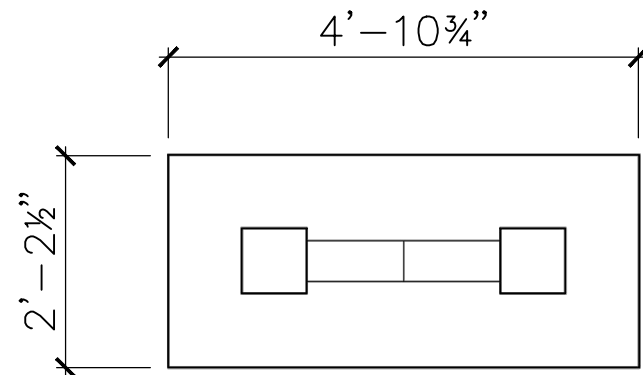
DRAWN BY:

DATE:

SCALE: AS NOTED

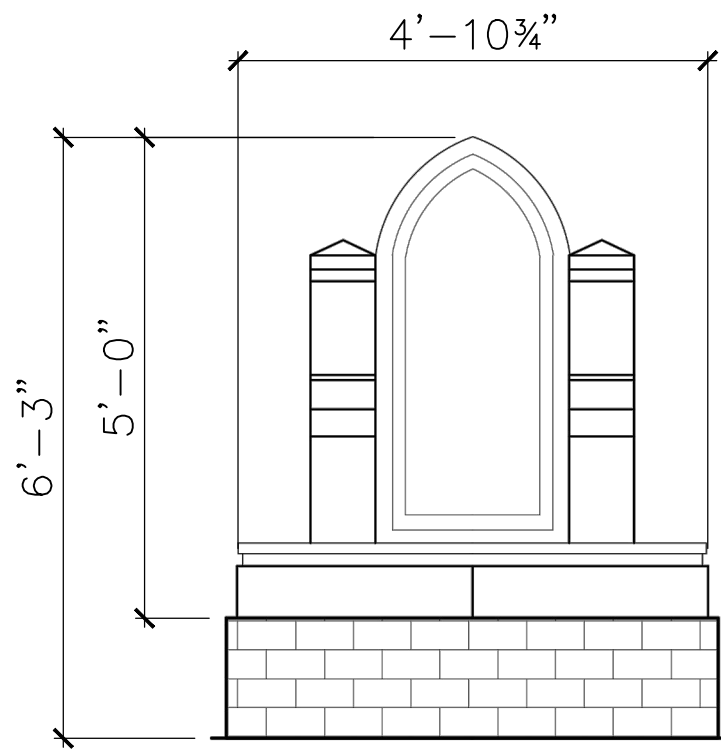
SHEET:

DWG. SHEET:



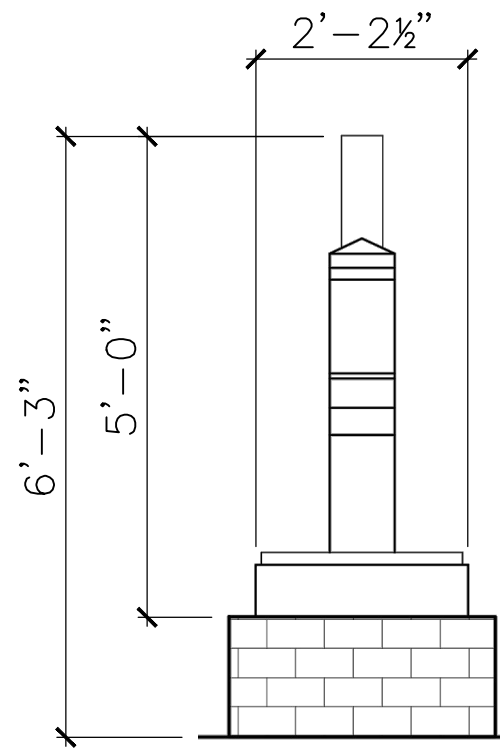
**TOP VIEW**

SCALE: 1/2" = 1'



**FRONT VIEW**

SCALE: 1/2" = 1'



**RIGHT-SIDE VIEW**

SCALE: 1/2" = 1'



**PRODUCT VIEW**

SCALE: 1/2" = 1'

ALL RIGHTS RESERVED. THIS DRAWING IS PROPERTY OF THE 4 KIDS INC. AND MAY BE USED ONLY WHEN UTILIZING THE 4 KIDS INC. GENERAL TERMS AND CONDITIONS APPLY AND ARE INCORPORATED HERE IN BY REFERENCE. THIS DETAIL MAY NOT APPLY TO ALL CONDITIONS AND CONSTRUCTION SITUATIONS.

PROJECT:

TITLE: SIGN 38B

ITEM ID: SIG153

MATERIAL: GFRC

MOLD

APX. TTL. WEIGHT

TOTAL # OF ITEM:

- LBS. [ - KG ]

TOTAL SQ. FEET: - [ - sqm. ]

REFERENCES:

COLOR & PER APPROVED SAMPLE  
TEXTURE: PER APPROVED SAMPLE



**CUSTOM THEMED PLAYGROUNDS**

4400 ONEAL STREET, GREENVILLE, TX 75401 PHONE 903.454.9237 FAX 903.454.3642

TYPE DWG: FABRICATION

DRAWN BY:

DATE:

SCALE: AS NOTED

SHEET:

DWG. SHEET: