

Sign 39



A gently arched crown with half sized pillars set this sign structure from The 4 Kids apart from others, a captivating blend of contemporary and traditional that will catch the eye and get your message out to your public. The professional design team in the Greenville, Texas studios of The 4 Kids know that first impressions are crucial and that an engaging sign is a potent tool for setting the stage at your venue, whether it is a shopping mall, a church, a school, daycare, senior center, or even a courthouse, museum or military installation. This display structure is ideal for every location, indoors or outdoors, commercial, civic, even residential as a way to highlight important information, welcome visitors, provide directions and instruction while enhancing the general charm and décor of your space. Besides flawless detail, a resilient glass fiber reinforced concrete finish means your sign will remain like new through whatever the weather throws at it, ice, snow, intense heat or even salt spray from the sea. Three, 4, 5 or 6 feet tall, with or without a brick base, this superior sign structure is a must have.

The 4 Kids was born out of a desire to create high quality, one-of-a-kind park shelters and play environments that effectively appeal to children's natural curiosity and imagination.

All of our products are custom designed to work perfectly with your unique playground. Let us know how we can meet your specific needs by contacting our knowledgeable design specialists, today.

Contact Us

Ordering from The 4 Kids is easy, initial consultation & quote is free.
We can also provide you with design ideas and conceptual drawings.
We want your whole experience with The 4 Kids to be smooth & rewarding.

4400 Oneal St. Greenville, TX 75401

903.454.9237

info@the4kids.com

www.the4kids.com

Why Use Us?

Let our team of experienced engineers and artists make your playground the destination for fun! We can create an exciting space where children's imaginations can run wild. A playscape where parents can feel secure and create lasting memories with their whole family.

Key Features

- American made by experts
- Customized sign designs
- Highest quality, low maintenance
- Free initial consult
- Perfect for placement everywhere

Specifications

Dimensions:

3', 4', 5', 6'

Mounting Options:

See Typical
Installation Details



Contact Us

Ordering from The 4 Kids is easy, initial consultation & quote is free. We can also provide you with design ideas and conceptual drawings. We want your whole experience with The 4 Kids to be smooth & rewarding.

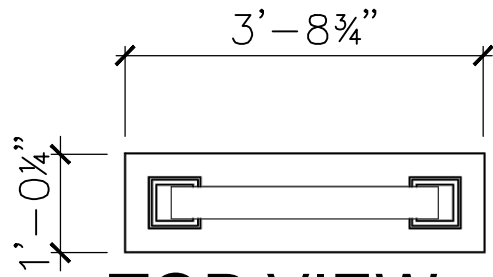
4400 Oneal St. Greenville, TX 75401

903.454.9237

info@the4kids.com

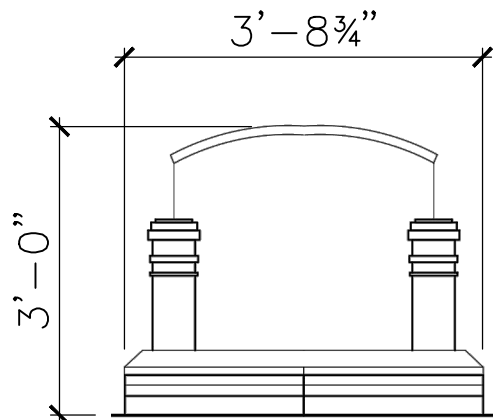
www.the4kids.com

© 2014 The 4 Kids Inc. All rights reserved.



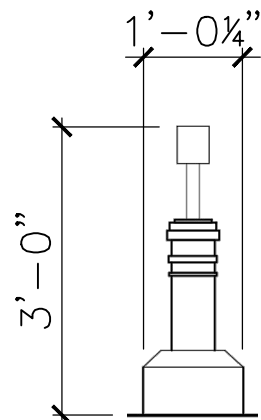
TOP VIEW

SCALE: 1/2" = 1'



FRONT VIEW

SCALE: 1/2" = 1'



RIGHT-SIDE VIEW

SCALE: 1/2" = 1'



PRODUCT VIEW

SCALE: 1/2" = 1'

ALL RIGHTS RESERVED. THIS DRAWING IS PROPERTY OF THE 4 KIDS INC. AND MAY BE USED ONLY WHEN UTILIZING THE 4 KIDS INC. GENERAL TERMS AND CONDITIONS APPLY AND ARE INCORPORATED HERE IN BY REFERENCE. THIS DETAIL MAY NOT APPLY TO ALL CONDITIONS AND CONSTRUCTION SITUATIONS.

ITEM ID: SIG154

MATERIAL: GFRC

MOLD

APX. TTL. WEIGHT

TOTAL # OF ITEM:

- LBS. [- KG]

TOTAL SQ. FEET: - [- sqm.]

PROJECT:

TITLE: SIGN 39-3'H

REFERENCES:

COLOR & PER APPROVED SAMPLE
TEXTURE: PER APPROVED SAMPLE



CUSTOM THEMED PLAYGROUNDS

4400 ONEAL STREET, GREENVILLE, TX 75401 PHONE 903.454.9237 FAX 903.454.3642

TYPE DWG: FABRICATION

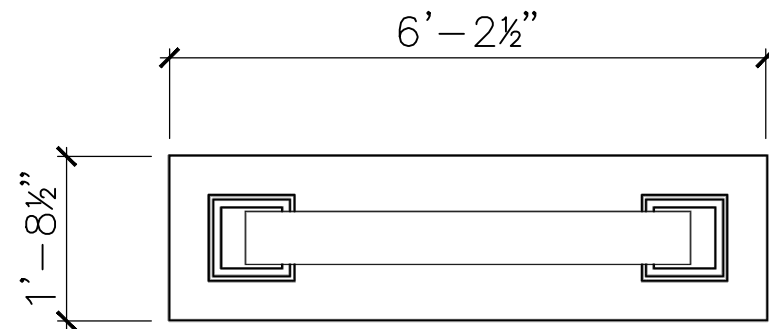
DRAWN BY:

DATE:

SCALE: AS NOTED

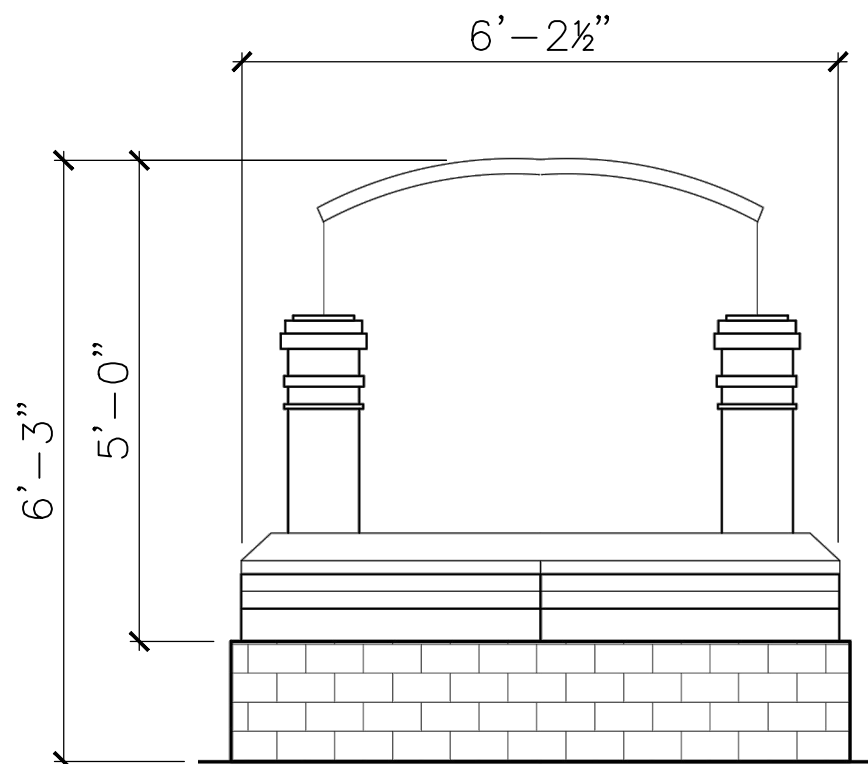
SHEET:

DWG. SHEET:



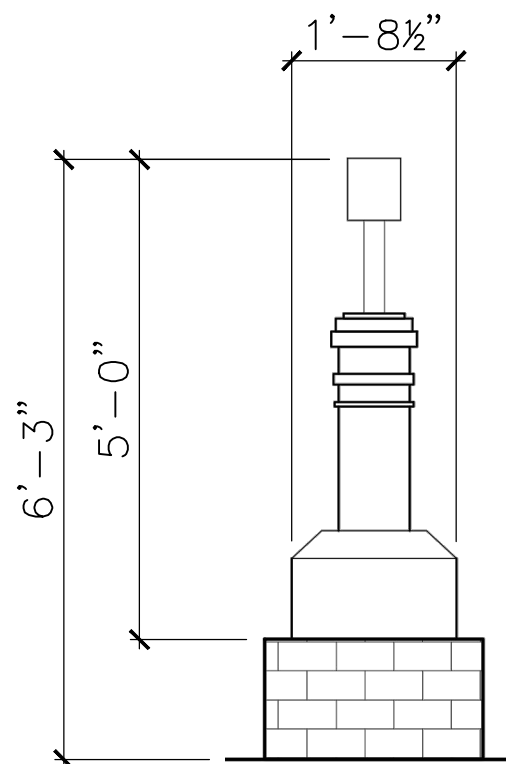
TOP VIEW

SCALE: 1/2" = 1'



FRONT VIEW

SCALE: 1/2" = 1'



RIGHT-SIDE VIEW

SCALE: 1/2" = 1'



PRODUCT VIEW

SCALE: 1/2" = 1'

ALL RIGHTS RESERVED. THIS DRAWING IS PROPERTY OF THE 4 KIDS INC. AND MAY BE USED ONLY WHEN UTILIZING THE 4 KIDS INC. GENERAL TERMS AND CONDITIONS APPLY AND ARE INCORPORATED HERE IN BY REFERENCE. THIS DETAIL MAY NOT APPLY TO ALL CONDITIONS AND CONSTRUCTION SITUATIONS.

ITEM ID: SIG154

MATERIAL: GFRC

MOLD

APX. TTL. WEIGHT

TOTAL # OF ITEM:

- LBS. [- KG]

TOTAL SQ. FEET: - [- sqm.]

PROJECT:

TITLE: SIGN 39B

REFERENCES:

COLOR & PER APPROVED SAMPLE
TEXTURE: PER APPROVED SAMPLE



CUSTOM THEMED PLAYGROUNDS

4400 ONEAL STREET, GREENVILLE, TX 75401 PHONE 903.454.9237 FAX 903.454.3642

TYPE DWG: FABRICATION

DRAWN BY:

DATE:

SCALE: AS NOTED

SHEET:

DWG. SHEET: