



## Sign 42



With just a bit of detail at the top that calls to mind the colonial charm of a pub, tavern or shoppe, this captivating sign structure design offers a large text surface to accommodate the message you wish to deliver for your clientele. Eye-catching and attractive, the well-crafted sign display is also a functional work of art for the décor plan of any property, museum, theme park or theater, hospital or hotel, day care center or senior citizen center and everything in between. Heights range from 3, 4, 5 or 6 feet high with an option for and mounting on an impressive brick base. The expert design team of The 4 Kids customizes designs based on welcomed client input. The possibilities are endless for placement of this high quality sign, but the superior resilience and durability levels won't change whether placement is indoors or outdoors. Glass fiber reinforced concrete, known as the smart concrete in the industry, ensures a tough and weather resistant finish that even the most punishing weather conditions cannot damage. Ice, snow, intense heat or sea salt spray are no match for The 4 Kids superior craftsmanship.

The 4 Kids was born out of a desire to create high quality, one-of-a-kind park shelters and play environments that effectively appeal to children's natural curiosity and imagination.

All of our products are custom designed to work perfectly with your unique playground. Let us know how we can meet your specific needs by contacting our knowledgeable design specialists, today.

### Contact Us

Ordering from The 4 Kids is easy, initial consultation & quote is free.  
We can also provide you with design ideas and conceptual drawings.  
We want your whole experience with The 4 Kids to be smooth & rewarding.

4400 Oneal St. Greenville, TX 75401

903.454.9237

info@the4kids.com

www.the4kids.com

## Why Use Us?

Let our team of experienced engineers and artists make your playground the destination for fun! We can create an exciting space where children's imaginations can run wild. A playscape where parents can feel secure and create lasting memories with their whole family.

## Key Features

- Custom designs
- American made
- Functional and stylish
- GFRC craftsmanship
- Perfect everywhere

## Specifications

**Dimensions:**  
3', 4', 5', 6'

**Mounting Options:**  
See Typical  
Installation Details



## Contact Us

Ordering from The 4 Kids is easy, initial consultation & quote is free. We can also provide you with design ideas and conceptual drawings. We want your whole experience with The 4 Kids to be smooth & rewarding.

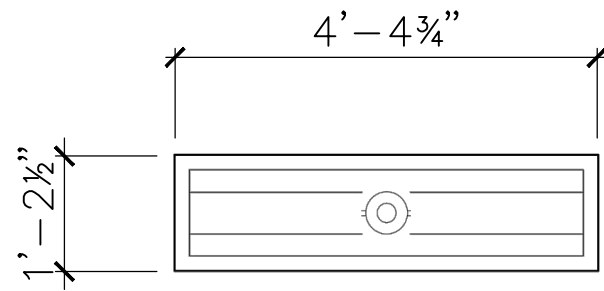
4400 Oneal St. Greenville, TX 75401

903.454.9237

info@the4kids.com

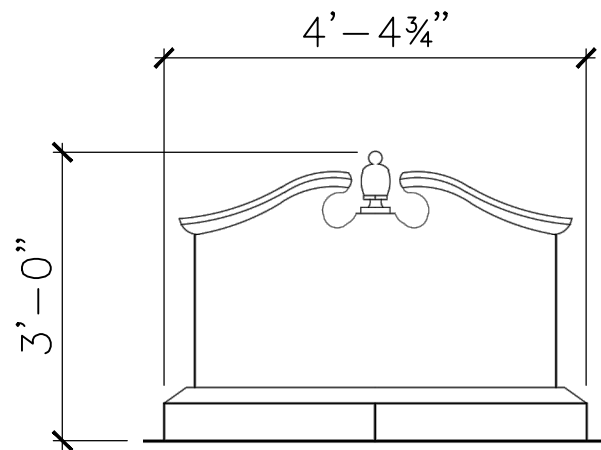
www.the4kids.com

© 2014 The 4 Kids Inc. All rights reserved.



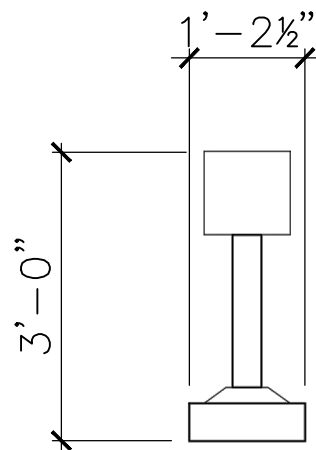
**TOP VIEW**

SCALE: 1/2" = 1'



**FRONT VIEW**

SCALE: 1/2" = 1'



**RIGHT-SIDE VIEW**

SCALE: 1/2" = 1'



**PRODUCT VIEW**

SCALE: 1/2" = 1'

ALL RIGHTS RESERVED. THIS DRAWING IS PROPERTY OF THE 4 KIDS INC. AND MAY BE USED ONLY WHEN UTILIZING THE 4 KIDS INC. GENERAL TERMS AND CONDITIONS APPLY AND ARE INCORPORATED HERE IN BY REFERENCE. THIS DETAIL MAY NOT APPLY TO ALL CONDITIONS AND CONSTRUCTION SITUATIONS.

**ITEM ID: SIG157**

**MATERIAL: GFRC**

MOLD

APX. TTL. WEIGHT

TOTAL # OF ITEM:

- LBS. [ - KG]

TOTAL SQ. FEET: - [- sqm.]

PROJECT:

TITLE: SIGN 42-3'H

REFERENCES:

COLOR & PER APPROVED SAMPLE  
TEXTURE: PER APPROVED SAMPLE



**CUSTOM THEMED PLAYGROUNDS**

4400 ONEAL STREET, GREENVILLE, TX 75401 PHONE 903.454.9237 FAX 903.454.3642

TYPE DWG: FABRICATION

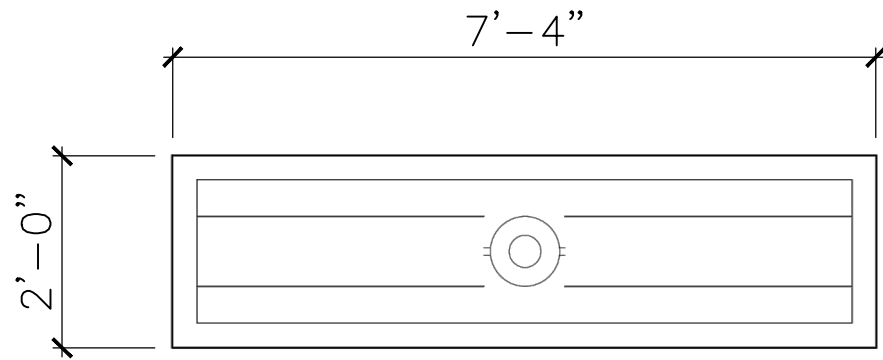
DRAWN BY:

DATE:

SCALE: AS NOTED

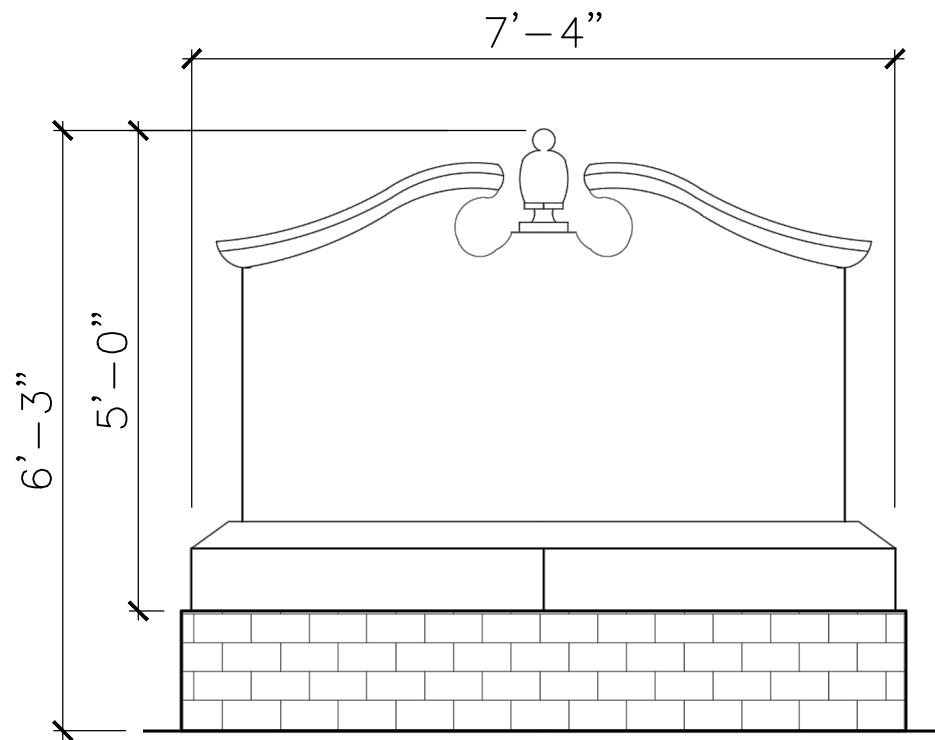
SHEET:

DWG. SHEET:



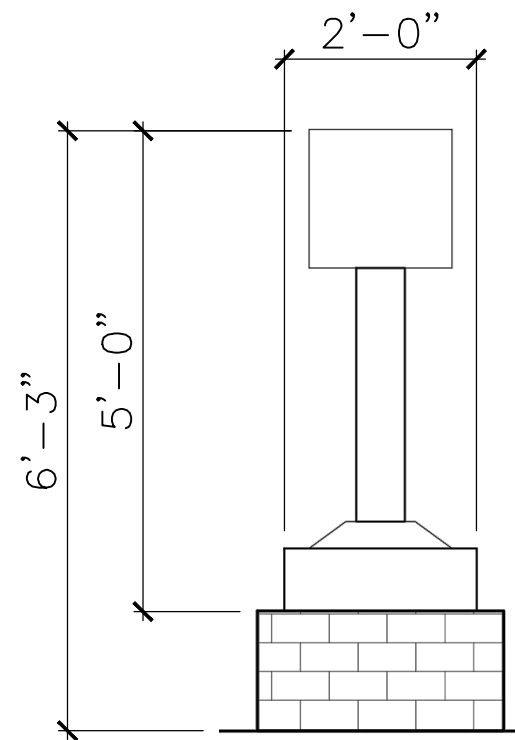
**TOP VIEW**

SCALE: 1/2" = 1'



**FRONT VIEW**

SCALE: 1/2" = 1'



**RIGHT-SIDE VIEW**

SCALE: 1/2" = 1'



**PRODUCT VIEW**

SCALE: 1/2" = 1'

ALL RIGHTS RESERVED. THIS DRAWING IS PROPERTY OF THE 4 KIDS INC. AND MAY BE USED ONLY WHEN UTILIZING THE 4 KIDS INC. GENERAL TERMS AND CONDITIONS APPLY AND ARE INCORPORATED HERE IN BY REFERENCE. THIS DETAIL MAY NOT APPLY TO ALL CONDITIONS AND CONSTRUCTION SITUATIONS.

PROJECT:

TITLE: SIGN 42B

ITEM ID: SIG157

MATERIAL: GFRC

MOLD

APX. TTL. WEIGHT

TOTAL # OF ITEM:

- LBS. [ - KG]

TOTAL SQ. FEET: - [- sqm.]

REFERENCES:

COLOR & PER APPROVED SAMPLE  
TEXTURE: PER APPROVED SAMPLE



**CUSTOM THEMED PLAYGROUNDS**

4400 ONEAL STREET, GREENVILLE, TX 75401 PHONE 903.454.9237 FAX 903.454.3642

TYPE DWG: FABRICATION

DRAWN BY:

DATE:

SCALE: AS NOTED

SHEET:

DWG. SHEET: