

Sign 43



Simplicity itself, this beautiful design from The 4 Kids is crowned with a contemporary peak, making the attractive sign structure something special for displaying signage while setting the tone at every location, be it museum or theme park, courthouse or farm market, military base or baseball field and everything in between. A broad, expansive text plate can beautifully accommodate any size, style or font and the one of a kind design highlights the message with eye-catching panache. Available in 3, 4, 5 and 6 feet tall versions, clients are able to add an additional one foot 3 inches by choosing to mount the signage on an impressive brick base. The expert team of artists and designers at The 4 Kids Greenville, Texas studios are eager to discuss specifics of your signage needs and preferences in order to customize your sign for size, shape and color. Noticed by everyone no matter where they are placed, these sign designs are particularly loved by property owners and staff because of the quality craftsmanship that ensures virtually no maintenance in all weather conditions, even snow, ice and even salty sea spray.

The 4 Kids was born out of a desire to create high quality, one-of-a-kind park shelters and play environments that effectively appeal to children's natural curiosity and imagination.

All of our products are custom designed to work perfectly with your unique playground. Let us know how we can meet your specific needs by contacting our knowledgeable design specialists, today.

Contact Us

Ordering from The 4 Kids is easy, initial consultation & quote is free.
We can also provide you with design ideas and conceptual drawings.
We want your whole experience with The 4 Kids to be smooth & rewarding.

4400 Oneal St. Greenville, TX 75401

903.454.9237

info@the4kids.com

www.the4kids.com

Why Use Us?

Let our team of experienced engineers and artists make your playground the destination for fun! We can create an exciting space where children's imaginations can run wild. A playscape where parents can feel secure and create lasting memories with their whole family.

Key Features

- Glass fiber reinforced concrete construction
- Customized designs
- American made
- Possibilities for placement are endless
- High quality, low maintenance

Specifications

Dimensions:

3', 4', 5', 6'

Mounting Options:

See Typical
Installation Details



Contact Us

Ordering from The 4 Kids is easy, initial consultation & quote is free. We can also provide you with design ideas and conceptual drawings. We want your whole experience with The 4 Kids to be smooth & rewarding.

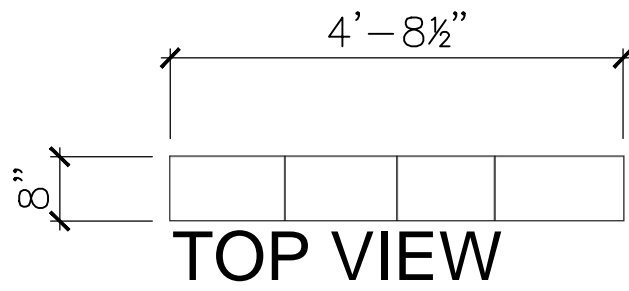
4400 Oneal St. Greenville, TX 75401

903.454.9237

info@the4kids.com

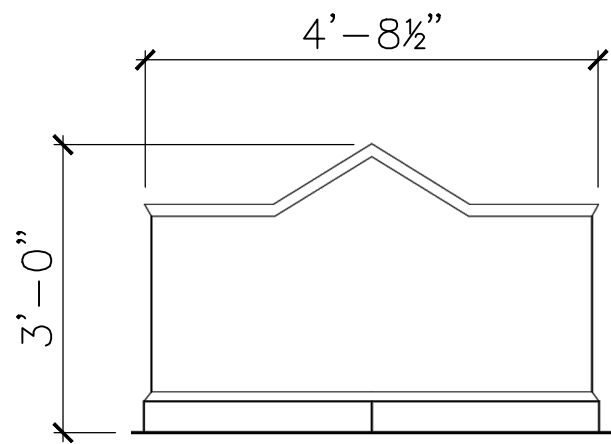
www.the4kids.com

© 2014 The 4 Kids Inc. All rights reserved.



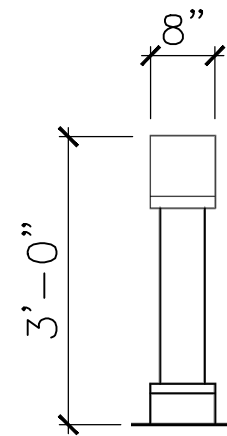
TOP VIEW

SCALE: 1/2" = 1'



FRONT VIEW

SCALE: 1/2" = 1'



RIGHT-SIDE VIEW

SCALE: 1/2" = 1'



PRODUCT VIEW

SCALE: 1/2" = 1'

ALL RIGHTS RESERVED. THIS DRAWING IS PROPERTY OF THE 4 KIDS INC. AND MAY BE USED ONLY WHEN UTILIZING THE 4 KIDS INC. GENERAL TERMS AND CONDITIONS APPLY AND ARE INCORPORATED HERE IN BY REFERENCE. THIS DETAIL MAY NOT APPLY TO ALL CONDITIONS AND CONSTRUCTION SITUATIONS.

ITEM ID: SIG158

MATERIAL: GFRC

MOLD

APX. TTL. WEIGHT

TOTAL # OF ITEM:

- LBS. [- KG]

TOTAL SQ. FEET: - [- sqm.]

PROJECT:

TITLE: SIGN 43-3'H

REFERENCES:

COLOR & PER APPROVED SAMPLE
TEXTURE: PER APPROVED SAMPLE



CUSTOM THEMED PLAYGROUNDS

4400 ONEAL STREET, GREENVILLE, TX 75401 PHONE 903.454.9237 FAX 903.454.3642

TYPE DWG: FABRICATION

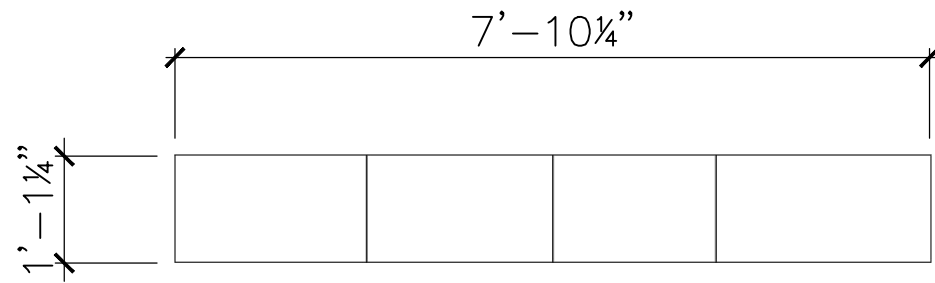
DRAWN BY:

DATE:

SCALE: AS NOTED

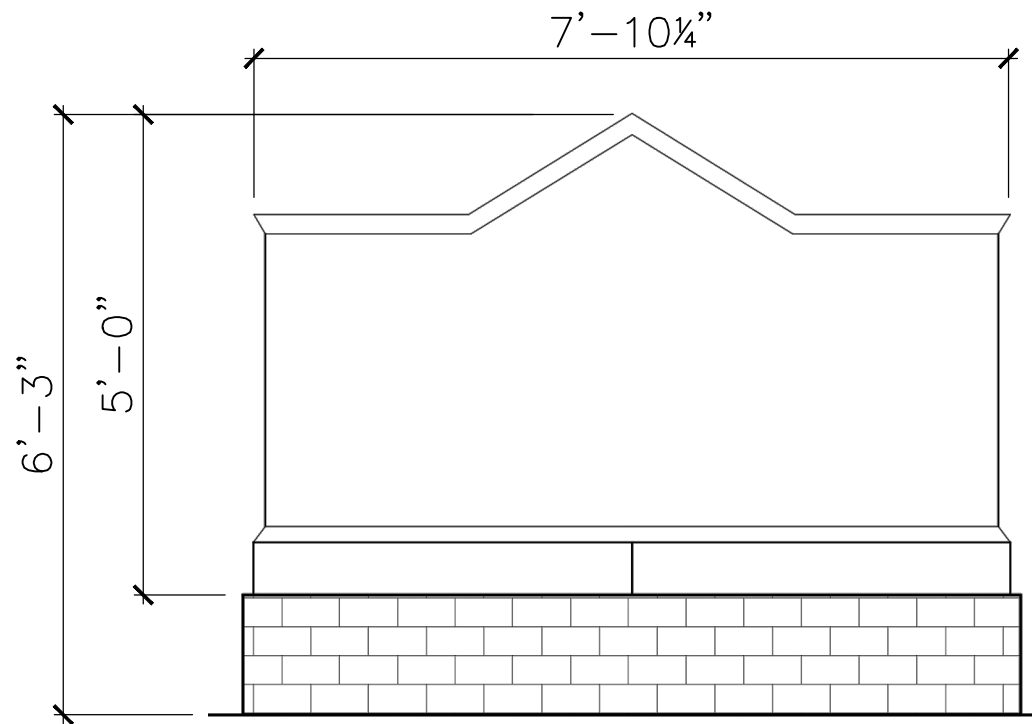
SHEET:

DWG. SHEET:



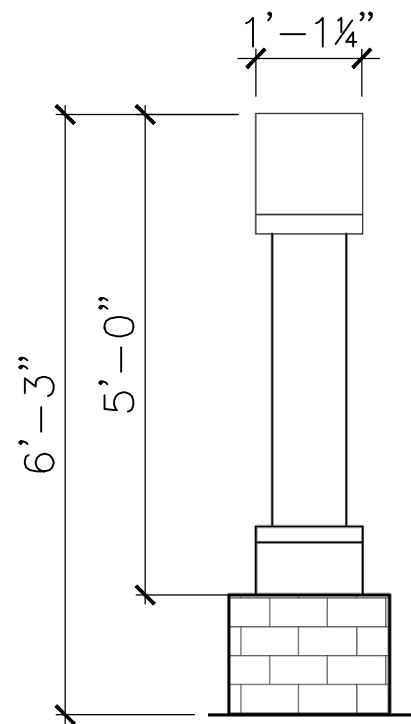
TOP VIEW

SCALE: 1/2" = 1'



FRONT VIEW

SCALE: 1/2" = 1'



RIGHT-SIDE VIEW

SCALE: 1/2" = 1'



PRODUCT VIEW

SCALE: 1/2" = 1'

ALL RIGHTS RESERVED. THIS DRAWING IS PROPERTY OF THE 4 KIDS INC. AND MAY BE USED ONLY WHEN UTILIZING THE 4 KIDS INC. GENERAL TERMS AND CONDITIONS APPLY AND ARE INCORPORATED HERE IN BY REFERENCE. THIS DETAIL MAY NOT APPLY TO ALL CONDITIONS AND CONSTRUCTION SITUATIONS.

ITEM ID: SIG158

MATERIAL: GFRC

MOLD

APX. TTL. WEIGHT

TOTAL # OF ITEM:

- LBS. [- KG]

TOTAL SQ. FEET: - [- sqm.]

PROJECT:

TITLE: SIGN 43B

REFERENCES:

COLOR & PER APPROVED SAMPLE
TEXTURE: PER APPROVED SAMPLE



CUSTOM THEMED PLAYGROUNDS

4400 ONEAL STREET, GREENVILLE, TX 75401 PHONE 903.454.9237 FAX 903.454.3642

TYPE DWG: FABRICATION

DRAWN BY:

DATE:

SCALE: AS NOTED

SHEET:

DWG. SHEET: