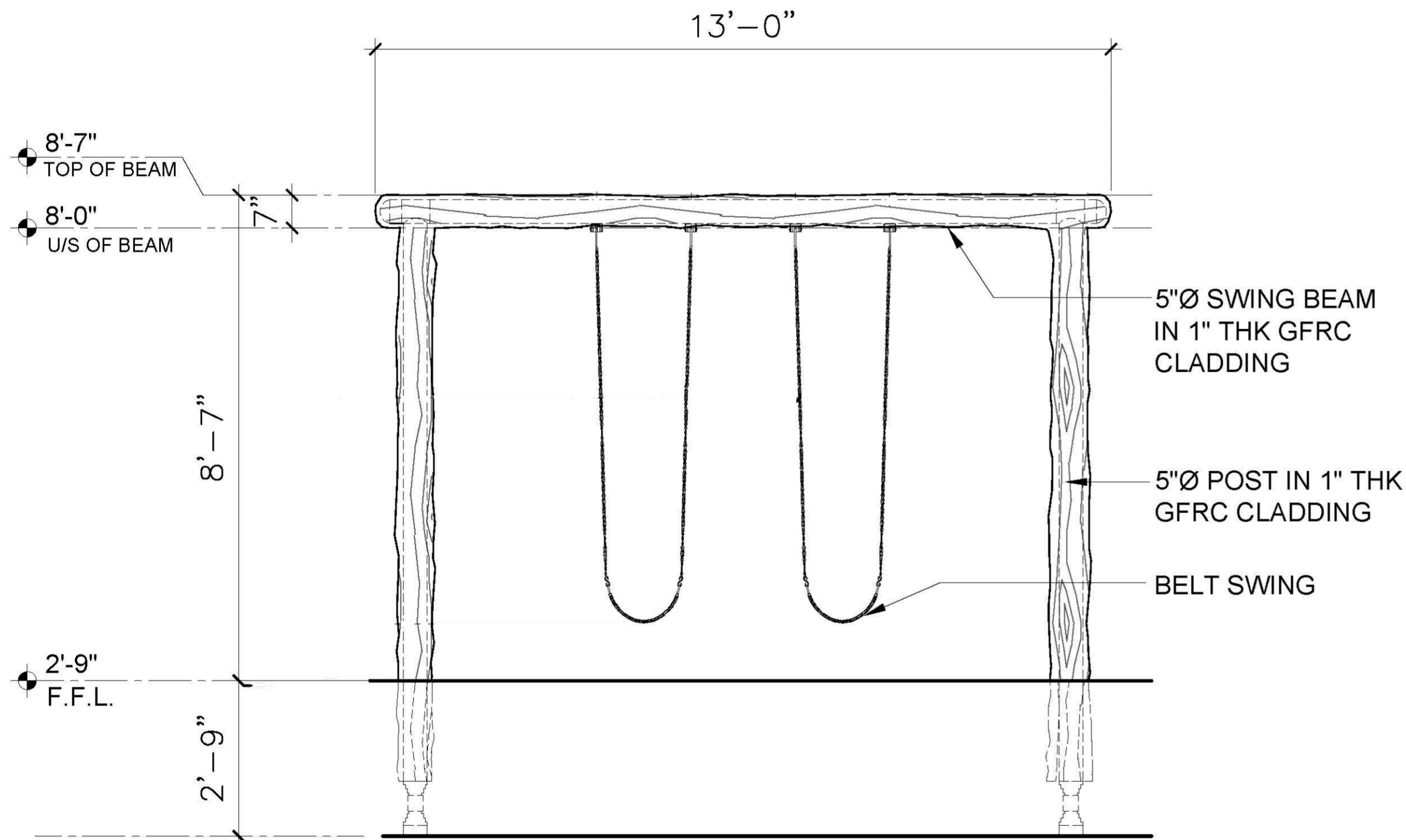


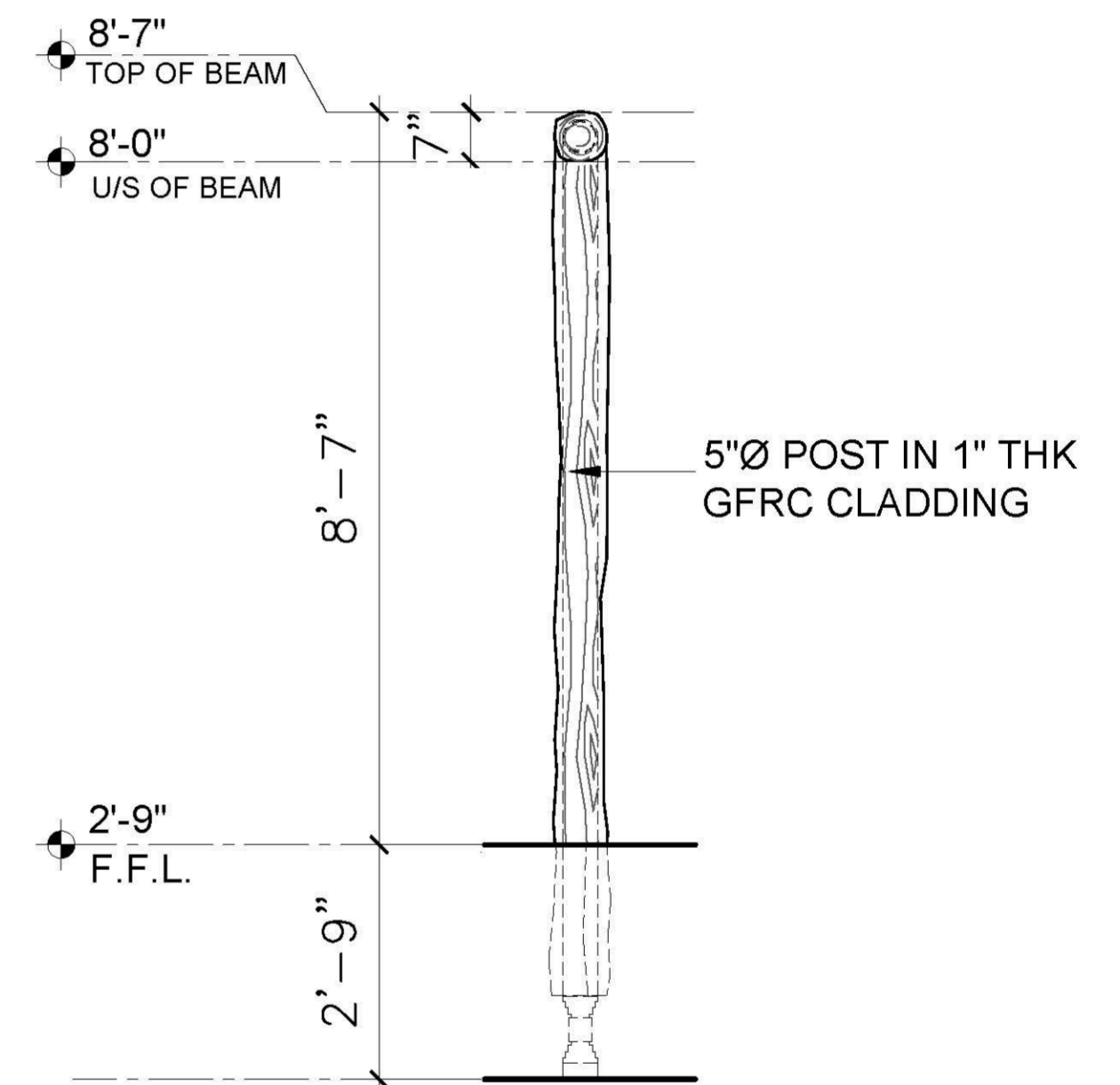
PLAN

SCALE: 1/2" = 1'



FRONT ELEVATION

SCALE: 1/2" = 1'



RIGHT SIDE ELEVATION

SCALE: 1/2" = 1'

ALL RIGHTS RESERVED. THIS DRAWING IS PROPERTY OF THE 4 KIDS INC. AND MAY BE USED ONLY WHEN UTILIZING THE 4 KIDS INC. GENERAL TERMS AND CONDITIONS APPLY AND ARE INCORPORATED HERE IN BY REFERENCE. THIS DETAIL MAY NOT APPLY TO ALL CONDITIONS AND CONSTRUCTION SITUATIONS.

PROJECT: TITLE: SINGLE BAY BELT SWING OPT.2

THE 4 KIDS CUSTOM THEMED PLAYGROUNDS
4400 ONEAL STREET, GREENVILLE, TX 75401 PHONE 903.454.9237 FAX 903.454.3642

ITEM ID: --		MATERIAL: GFRC
MOLD	APX. TTL. WEIGHT	TOTAL # OF ITEM:
	- LBS. [- KG]	TOTAL SQ. FEET: - [- sqm.]
REFERENCES:		COLOR & PER APPROVED SAMPLE TEXTURE: PER APPROVED SAMPLE
TYPE DWG: FABRICATION		DRAWN BY: DATE:
SCALE: AS NOTED	SHEET:	DWG. SHEET: