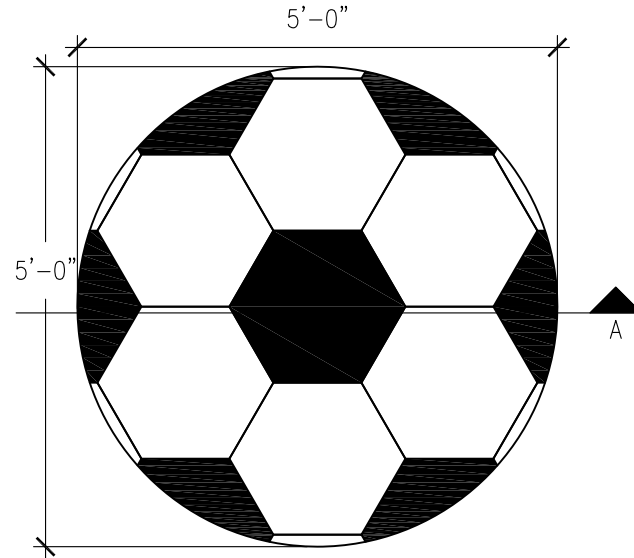
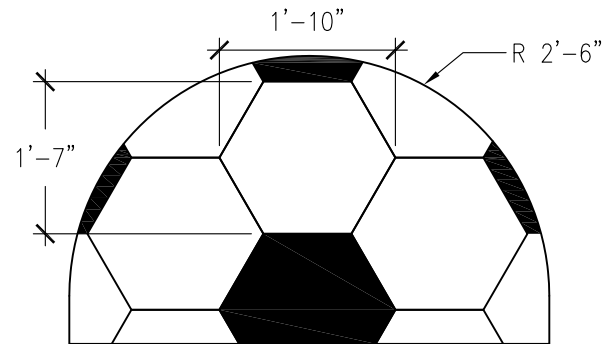


SECTION A
SCALE: 1/2" = 1'-0"



SOCCER BALL TOP VIEW
SCALE: 1/2" = 1'-0"



SOCCER BALL FRONT VIEW
SCALE: 1/2" = 1'-0"

PROJECT:		TITLE:		ITEM ID: SOCCERBALL CLIMBER		MATERIAL: GFRC	
				MOLD	APX. TTL. WEIGHT	TOTAL # OF ITEM: 1	
					663.36 LBS.	TOTAL SQ. FEET: 27.64	
REFERENCES:				TYPE DWG: FABRICATION		DRAWN BY: SD	DATE: 02/27/13
 4400 ONEAL STREET, GREENVILLE, TX 75401 PHONE 903.454.9237 FAX 903.454.3642				SCALE: 1/2" = 1'-0"	SHEET: A	DWG. SHEET: BSP.1.1.F.1R0	