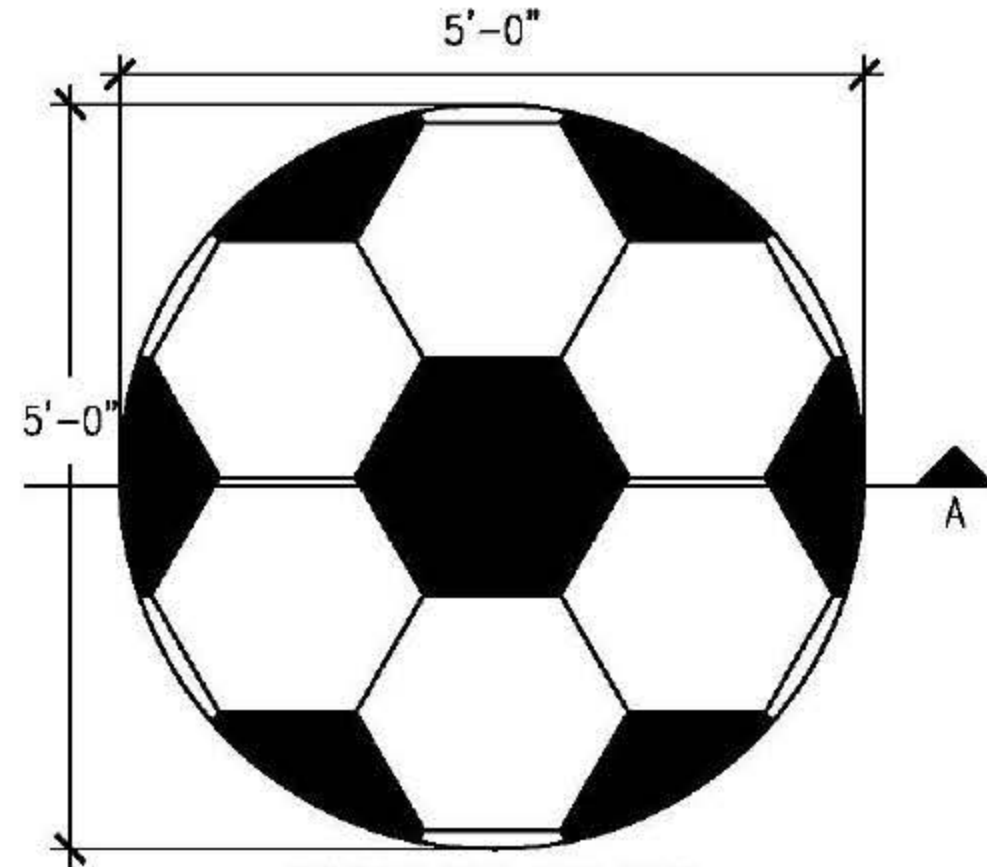
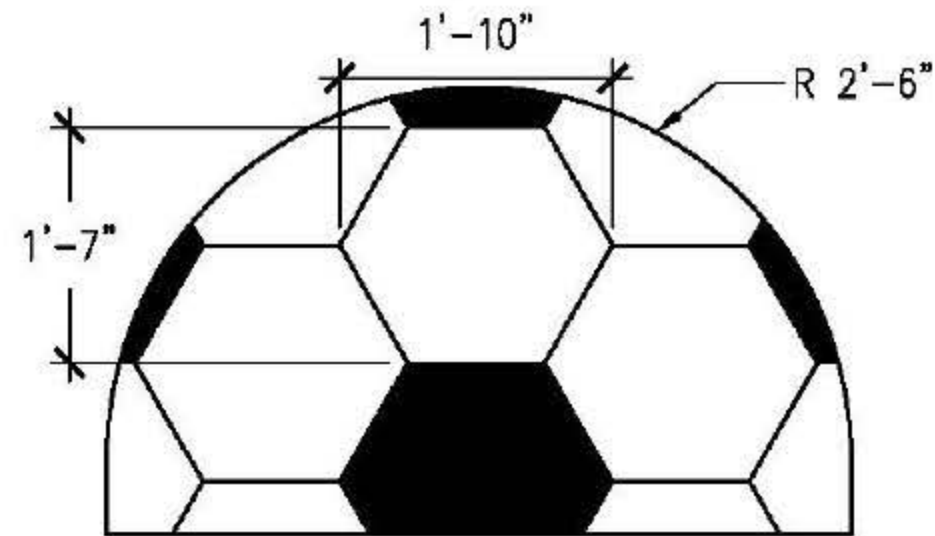


SECTION A
SCALE: 1/2" = 1'-0"



SOCCER BALL TOP VIEW
SCALE: 1/2" = 1'-0"



SOCCER BALL FRONT VIEW
SCALE: 1/2" = 1'-0"

ALL RIGHTS RESERVED. THIS DRAWING IS PROPERTY OF THE 4 KIDS INC. AND MAY BE USED ONLY WHEN UTILIZING THE 4 KIDS INC. GENERAL TERMS AND CONDITIONS APPLY AND ARE INCORPORATED HERE IN BY REFERENCE. THIS DETAIL MAY NOT APPLY TO ALL CONDITIONS AND CONSTRUCTION SITUATIONS.

ITEM ID: SPO105

MATERIAL: **GFRC**

MOLD

APX. TTL. WEIGHT

TOTAL # OF ITEM: **1**

663.36 LBS.

TOTAL SQ. FEET: **27.64**

PROJECT:

TITLE: SOCCERBALL CLIMBER

REFERENCES:



CUSTOM THEMED PLAYGROUNDS

1100 ONEAL STREET, GREENVILLE, TX 75301 PHONE 903.454.9237 FAX 903.454.3642

TYPE DWG: FABRICATION

DRAWN BY: SD

DATE: 02/27/13

SCALE: 1/2" = 1'-0"

SHEET: A

DWG. SHEET: