

Sunken Viking Ship



Inspiring imaginative play can be a challenging thing to do, but with the Sunken Viking Ship that will change. With only a portion of this Viking ship visible it creates a space of play that is safe for all ages. It also gives the illusion of being partially sunken. This will create an extra fun factor for the children as the attempt to carefully trek about and explore this sunken vessel. This ship measures 10' x 3'6" it can also be customized to fit your needs. The4Kids specializes in customizing creative play sculptures and themed playgrounds. Call us today so our team of designers can give you a custom quote for free!

The 4 Kids was born out of a desire to create high quality, one-of-a-kind park shelters and play environments that effectively appeal to children's natural curiosity and imagination.

All of our products are custom designed to work perfectly with your unique playground. Let us know how we can meet your specific needs by contacting our knowledgeable design specialists, today.

Contact Us

Ordering from The 4 Kids is easy, initial consultation & quote is free.
We can also provide you with design ideas and conceptual drawings.
We want your whole experience with The 4 Kids to be smooth & rewarding.

4400 Oneal St. Greenville, TX 75401

903.454.9237

info@the4kids.com

www.the4kids.com

Why Use Us?

Let our team of experienced engineers and artists make your playground the destination for fun! We can create an exciting space where children's imaginations can run wild. A playscape where parents can feel secure and create lasting memories with their whole family.

Key Features

- Leading manufacturer of customized playgrounds
- Inspiring imaginative play
- Easy to maintain
- Customize to fit your needs

Specifications

Age Range:

N/A

Dimensions:

10'L x 3'6"W

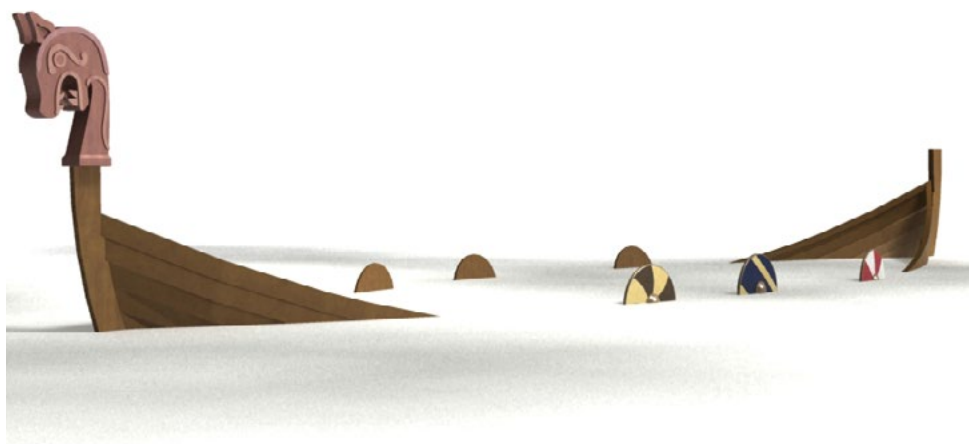
Use Zone:

N/A

Mounting Options:

See Typical

Installation Details



Contact Us

Ordering from The 4 Kids is easy, initial consultation & quote is free. We can also provide you with design ideas and conceptual drawings. We want your whole experience with The 4 Kids to be smooth & rewarding.

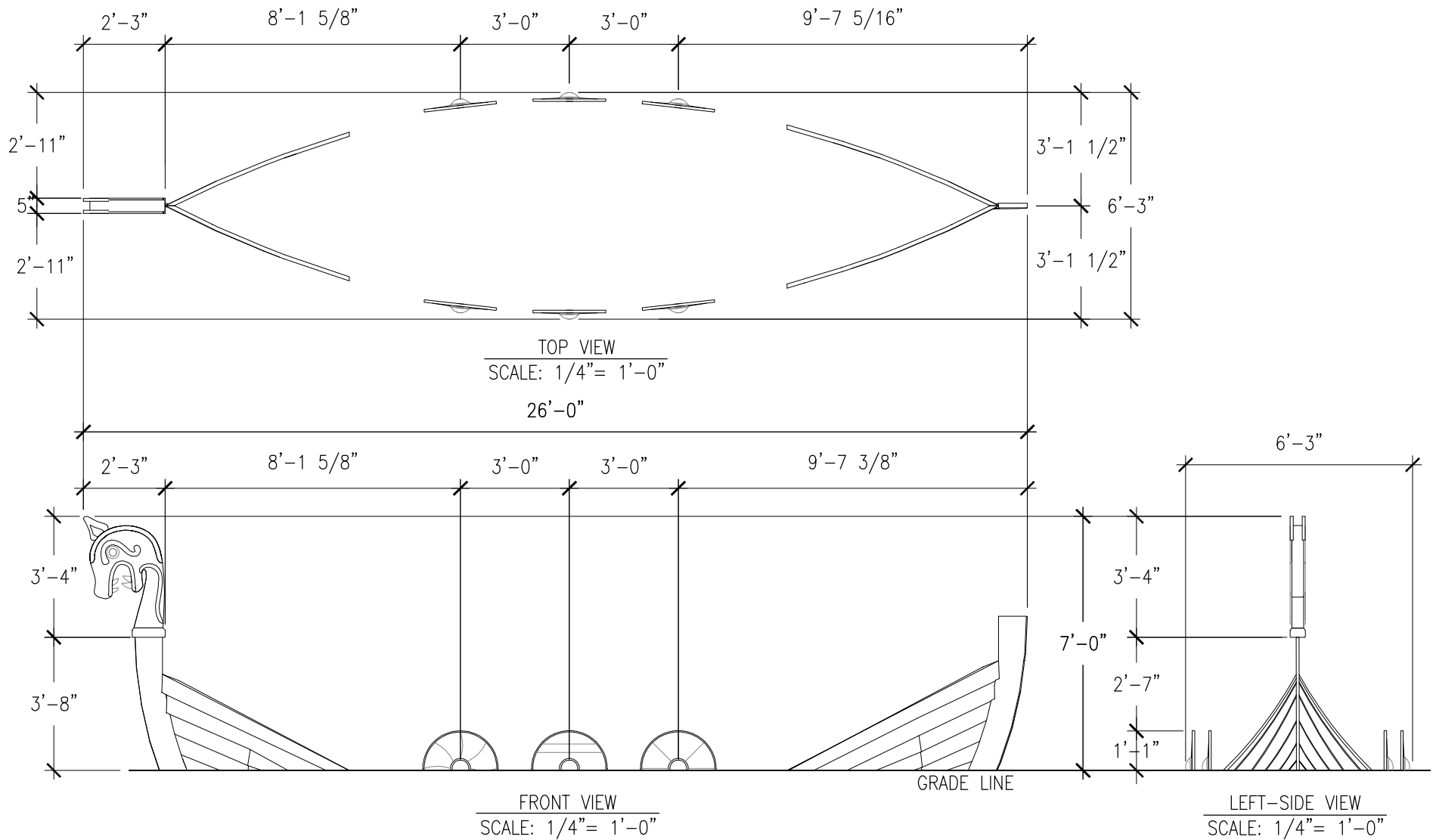
4400 Oneal St. Greenville, TX 75401

903.454.9237

info@the4kids.com

www.the4kids.com

© 2014 The 4 Kids Inc. All rights reserved.



ALL RIGHTS RESERVED. THIS DRAWING IS PROPERTY OF STROMBERG ARCHITECTURAL PRODUCTS INC. AND MAY BE USED ONLY WHEN UTILIZING STROMBERG ARCHITECTURAL PRODUCTS. STROMBERG ARCHITECTURAL PRODUCTS INC. GENERAL TERMS AND CONDITIONS APPLY AND ARE INCORPORATE HERE IN BY REFERENCE. THIS DETAIL MAY NOT APPLY TO ALL CONDITIONS AND CONSTRUCTION SITUATIONS.



CUSTOM THEMED PLAYGROUNDS

4400 ONEAL STREET, GREENVILLE, TX 75401 PHONE 903.454.9237 FAX 903.454.3642

TITLE: VIKING SHIP

TYPE DWG: DETAIL

SCALE: AS NOTED

DWG. SHEET: **PLW.1.1.F.1.R0**