

Teton Rock Climber



Calling all kids!
It's time to crawl
and climb your way
to the height of play-
ground fun with The 4
Kids' Teton Rock Climber.
This rock climber may not be
as high as the mountain range
for which it is named, but it's cer-
tainly the summit of excitement and
delight in the park. If you are between
the ages of 2 and 12, have we got a rock
for you! Realistic and unique, the Teton Rock
Climber is a natural for nature, ocean or
pirate themed parks and playgrounds, even
commercial fun centers. There are no worries
about safety or maintenance levels, either,
since superior materials and safety standards
are built in to each design.

The 4 Kids was born out of a
desire to create high quality,
one-of-a-kind
park shelters and play
environments that
effectively appeal to
children's natural curiosity
and imagination.

All of our products are
custom designed to
work perfectly with your
unique playground.
Let us know how we
can meet your specific
needs by contacting our
knowledgeable design
specialists, today.

Contact Us

Ordering from The 4 Kids is easy, initial consultation & quote is free.
We can also provide you with design ideas and conceptual drawings.
We want your whole experience with The 4 Kids to be smooth & rewarding.

4400 Oneal St. Greenville, TX 75401

903.454.9237

info@the4kids.com

www.the4kids.com

Why Use Us?

Let our team of experienced engineers and artists make your playground the destination for fun! We can create an exciting space where children's imaginations can run wild. A playscape where parents can feel secure and create lasting memories with their whole family.

Key Features

- Loads of fun, safe and sturdy
- Custom design for your needs
- Four quality finishes
- Virtually maintenance free

Specifications

Age Range:
5 - 12 years

Dimensions:
2'11"L x 3'H

Use Zone:
14'11"L x 15'W

Mounting Options:
Installation Option 1
Installation Option 2



Contact Us

Ordering from The 4 Kids is easy, initial consultation & quote is free. We can also provide you with design ideas and conceptual drawings. We want your whole experience with The 4 Kids to be smooth & rewarding.

4400 Oneal St. Greenville, TX 75401

903.454.9237

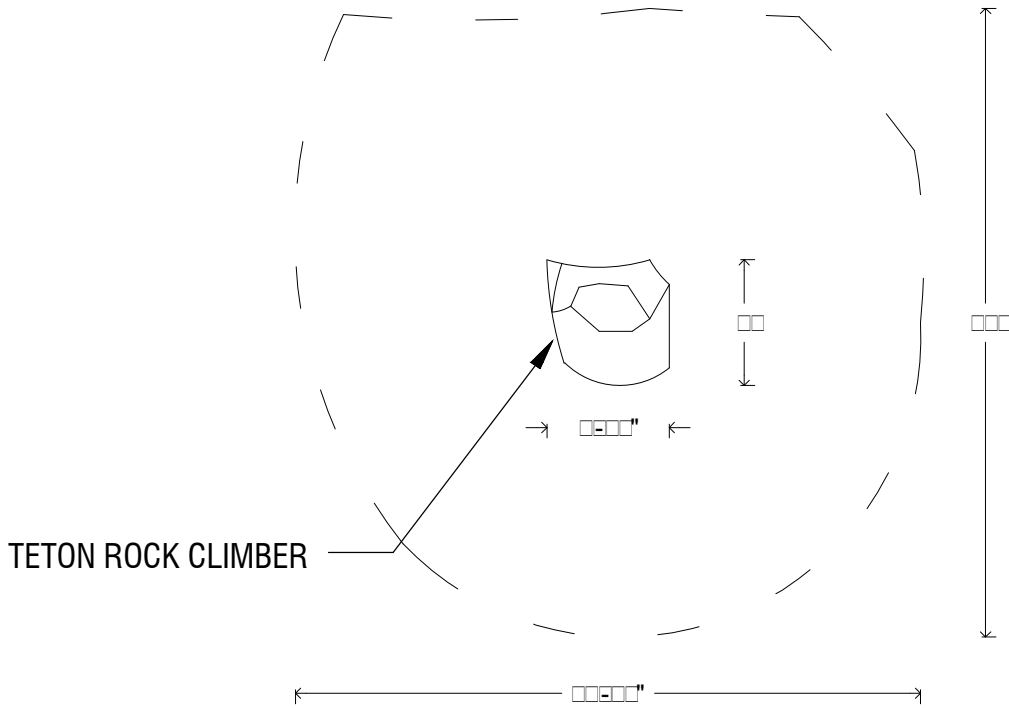
info@the4kids.com

www.the4kids.com

© 2014 The 4 Kids Inc. All rights reserved.

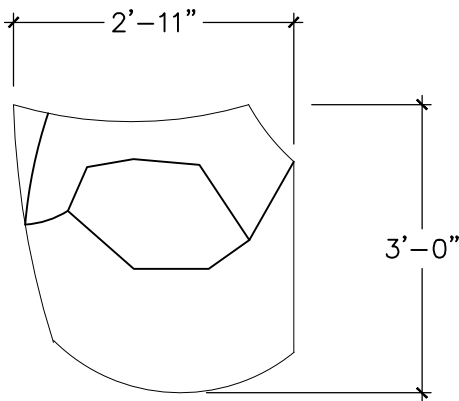


TETON ROCK CLIMBER
35" X 36"



TETON ROCK CLIMBER

TOP VIEW
SCALE: 1 / 4" = 1' - 0"



TOP VIEW

SCALE: 1/2" = 1'



PRODUCT VIEW

SCALE: NTS

ALL RIGHTS RESERVED. THIS DRAWING IS PROPERTY OF THE 4 KIDS INC. AND MAY BE USED ONLY WHEN UTILIZING THE 4 KIDS INC. GENERAL TERMS AND CONDITIONS APPLY AND ARE INCORPORATED HERE IN BY REFERENCE. THIS DETAIL MAY NOT APPLY TO ALL CONDITIONS AND CONSTRUCTION SITUATIONS.

ITEM ID: ROC103

MATERIAL: GFRC

MOLD

APX. TTL. WEIGHT

TOTAL # OF ITEM:

- LBS. [- KG]

TOTAL SQ. FEET: **- [- sqm.]**

PROJECT:

TITLE: TETON ROCK CLIMBER

REFERENCES:

COLOR & PER APPROVED SAMPLE
TEXTURE: PER APPROVED SAMPLE



CUSTOM THEMED PLAYGROUNDS

400 ONEAL STREET, GREENVILLE, TX 75401 PHONE 903.454.9237 FAX 903.454.3642

TYPE DWG: FABRICATION

DRAWN BY:

DATE:

SCALE: AS NOTED

SHEET:

DWG. SHEET: